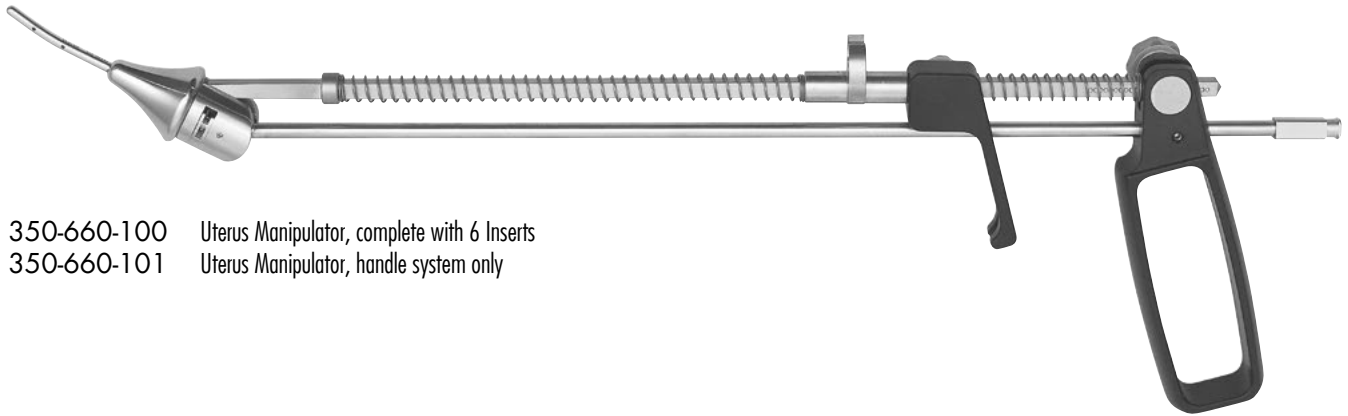


GYNECOLOGY INSTRUMENTS



350-660-100 Uterus Manipulator, complete with 6 Inserts
 350-660-101 Uterus Manipulator, handle system only

Inserts



350-660-111
 Ø 8 x 80mm



350-660-112
 Ø 10 x 100mm



350-660-113
 Ø 3 x 45mm



350-660-114
 Ø 3 x 55mm



350-660-115
 Ø 3.2 x 34mm



350-660-116
 Ø 3.2 x 45mm



350-750-000 **COHEN** Uterus Cannula, complete with 2 interchangeable acorns

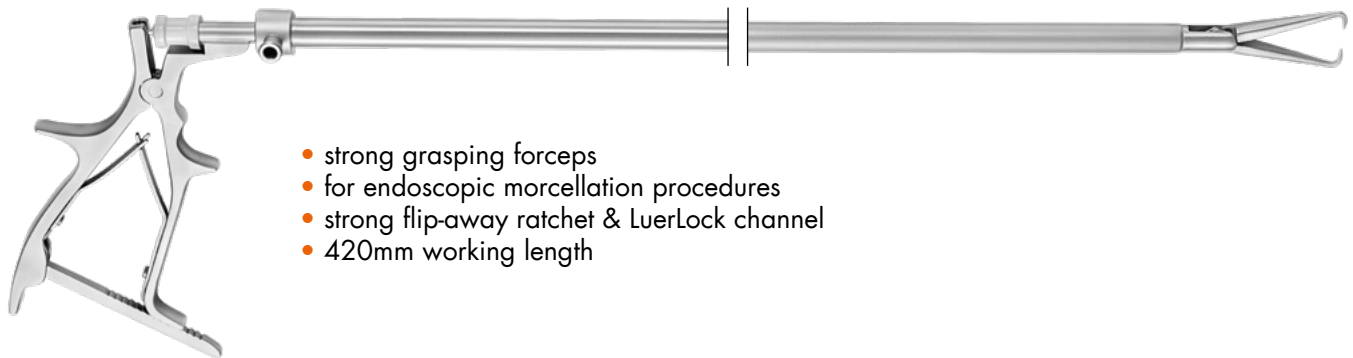
Acorns
 350-750-001 small
 350-750-002 large



1
MANGESHIKAR
 Uterus Manipulator, complete set
 350-740-000

2
 Tube with insulation ring
 350-740-005 35mm
 350-740-006 40mm
 350-740-007 45mm

3
 Intrauterus tip insert
 350-740-040 4x40mm
 350-740-050 5x50mm
 350-740-060 6x60mm
 350-740-070 7x70mm
 350-740-080 8x80mm



- strong grasping forceps
- for endoscopic morcellation procedures
- strong flip-away ratchet & LuerLock channel
- 420mm working length



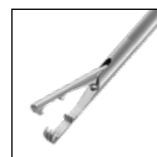
Tenaculum Forceps,
 Ø10mm
 300-110-714



Claw Forceps,
 Ø10mm
 300-110-711



Tenaculum Forceps,
 Ø5mm
 300-110-715



Claw Forceps,
 Ø5mm
 300-110-712