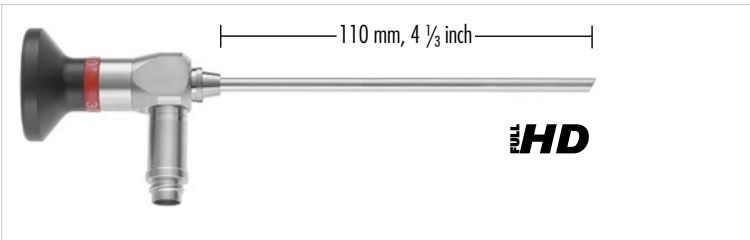




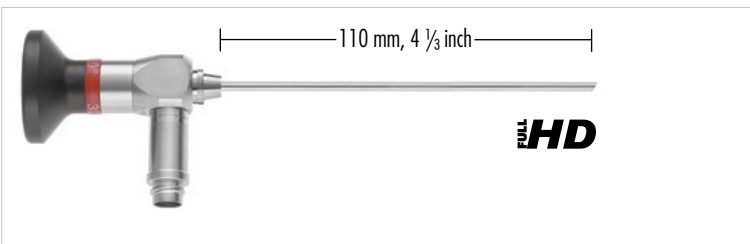
252-104-000 0°  
 252-104-030 30°  
 252-104-045 45°  
 252-104-070 70°  
 Sinuskopie-Optiken, autoklavierbar, 4,0 mm, 180 mm  
 Sinusscopes, autoclavable, 4.0 mm, 7 inch



252-104-200 0°  
 252-104-230 30°  
 252-104-270 70°  
 Sinuskopie-Optiken, Kinder, autoklavierbar, 4,0 mm, 110 mm  
 Sinusscopes, pediatric, autoclavable, 4.0 mm, 4 1/3 inch

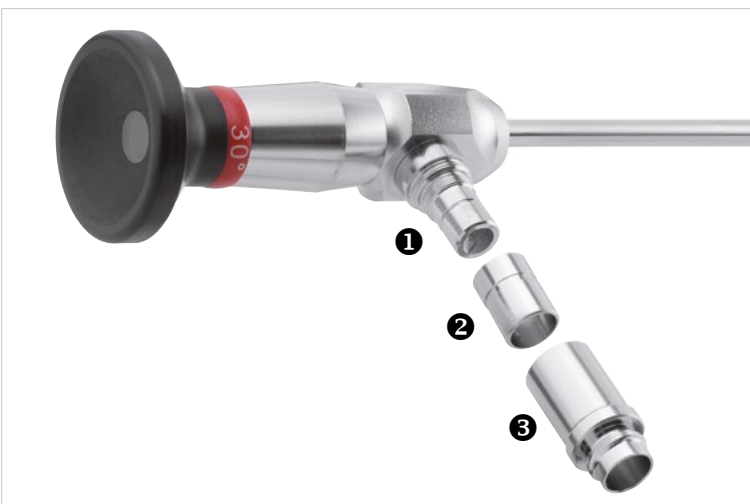


252-127-000 0°  
 252-127-030 30°  
 252-127-070 70°  
 Sinuskopie-Optiken, autoklavierbar, 2,7 mm, 180 mm  
 Sinusscopes, autoclavable, 2.7 mm, 7 inch

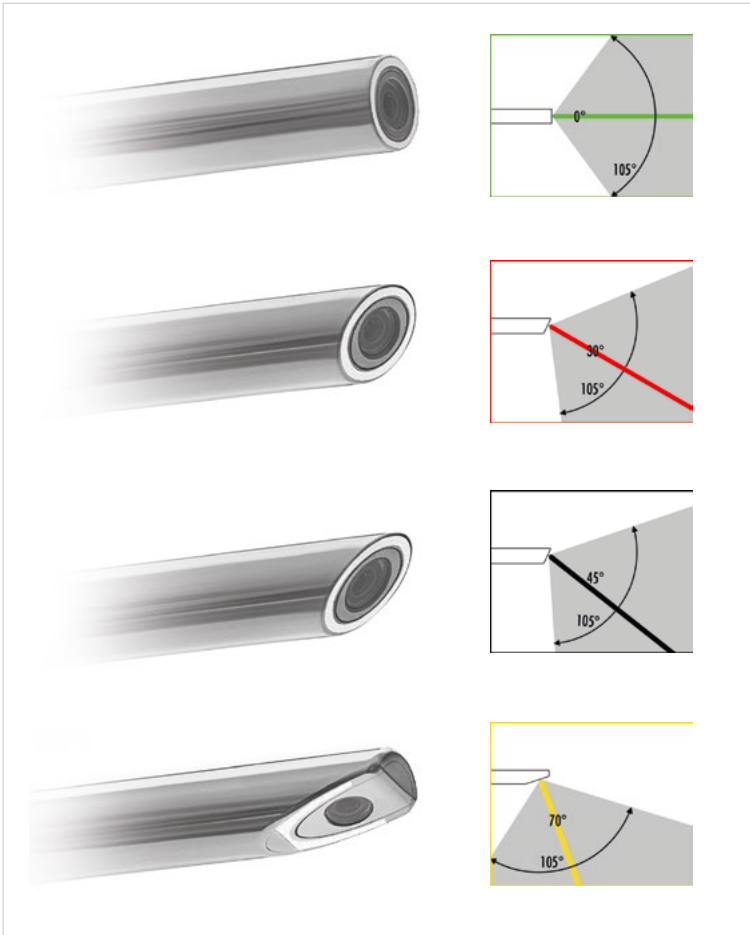


252-127-200 0°  
 252-127-230 30°  
 Sinuskopie-Optiken, Kinder, autoklavierbar, 2,7 mm, 110 mm  
 Sinusscopes, pediatric, autoclavable, 2.7 mm, 4 1/3 inch

- Removable eyepiece for C-mount connection or RZ QuickSnap locking
- 3-step light post adaptors to connect the most common light cables directly to the endoscope
- Sapphire glasses ensure highest stability against damages on the lens system
- Optimised glass fibre arrangements ensure an uniform image brightness of highest quality
- Full HD high definition pictures with increased detail-resolution through newest CAD-designed rod-lens systems
- Fully Autoclavable at 134°C and 2.3bar



- 1 RZ/Storz Anschluss / RZ/Storz connection
- 2 R. Wolf Anschluss / R. Wolf connection
- 3 ACMI/Gyrus Anschluss / ACMI/Gyrus connection



Farbliche Kennzeichnung der Gradzahl:  
Colour coding of degree:

● 0°   
 ● 30°   
 ● 45°   
 ● 70°



1/2

300-090-100

Schutzhülse, für 2,7 mm und 4,0 mm Optiken, 190 mm

Bestelleinheit: PH=Packung á 10 Stück

Protection tube, for 2.7 mm and 4.0 mm telescopes, 7 1/2 inch

Sales unit: PH=Package of 10 pieces



251-104-001 für 4 mm Optik / for 4 mm telescopes

251-127-001 für 2,5 mm Optik / for 2.7 mm telescopes

Optik Handgriff, flach, 120 mm

Telescope handle, flat, 4 3/4 inch

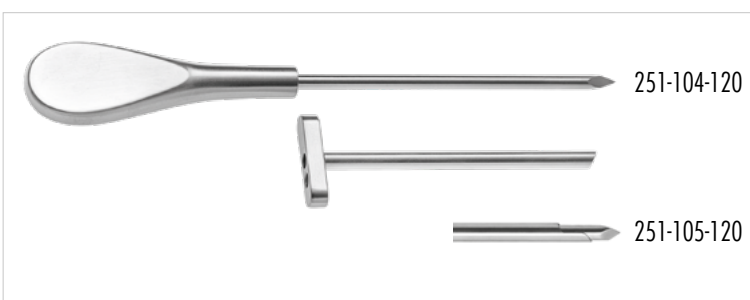


251-104-002 für 4 mm Optik / for 4 mm telescopes

251-127-002 für 2,5 mm Optik / for 2.7 mm telescopes

Optik Handgriff, rund, 120 mm

Telescope handle, round, 4 3/4 inch



251-104-120 schräges Schaftende/oblique sheath end

251-105-120 Duckbill Schaftende/Duckbill sheath end

251-127-120 für 2,7 mm Optik, 80 mm

for 2.7 mm telescope, 3 1/8 inch

Sinuskopie-Trokar und Trokarhülse für 4,0 mm Optik,

scharfer Trokar Ø 5,2 mm, 80 mm

Sinuscopy Trocar and Trocar sheath for 4.0 mm telescope,

sharp trocar Ø 5,2 mm, 3 1/8 inch