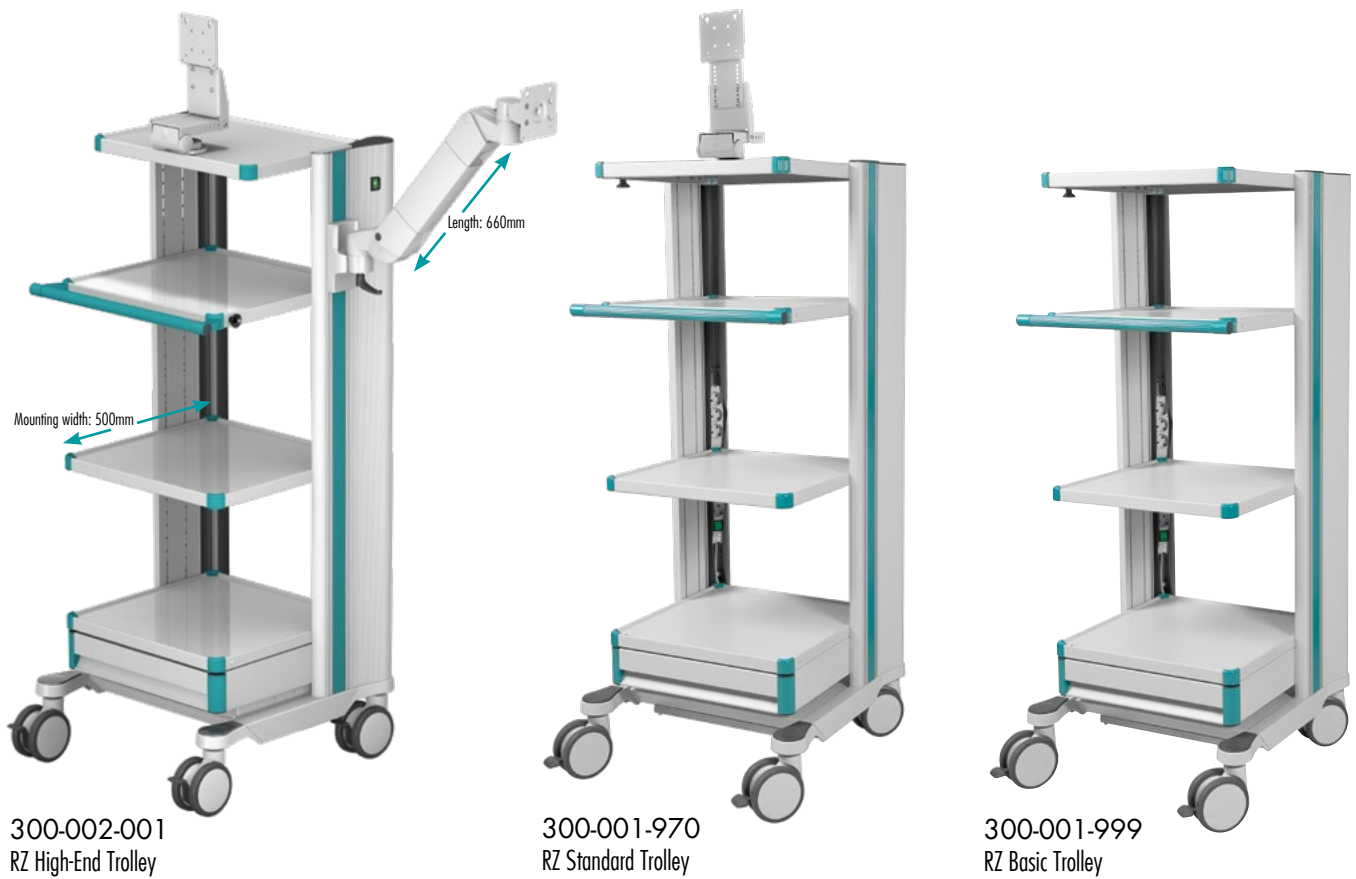


RZ TROLLEY

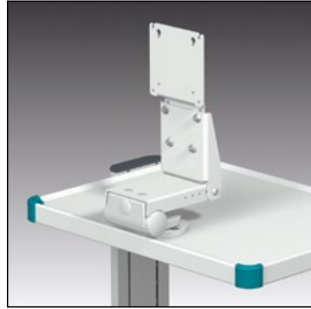
- Optional doors and rear panel in order to protect valuable equipment
- Optional main on/off switch
- Power columns for cables
- Endoscope Holder
- Variable height support arms
- Conductive rolls

DIMENSIONS
1600 x 500 x 625mm
Rollers: Ø 125mm





300-001-988
Hydraulic monitor holding, 660mm



300-001-989
Monitor Shelf with adjustable monitor holding VESA 75/100 up to 14kg



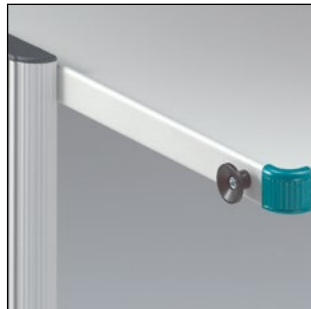
300-001-986
Keyboard Holder



300-001-990
Camera Head Holder with cable suspension



300-001-980 3/5/10 L
300-001-982 20/50 L
CO₂ Bottle Holder



300-001-979
Camera Holder



300-001-978
Cable Holder



300-001-991
Computer Holder, load capacity max. 20kg



300-001-983
Rear Panel



300-001-985
Additional Shelf

