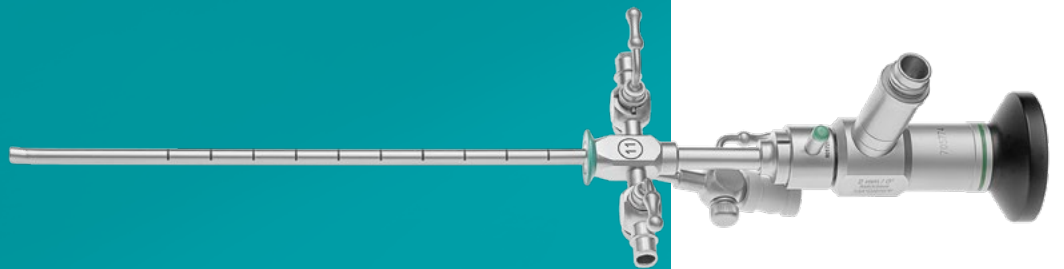


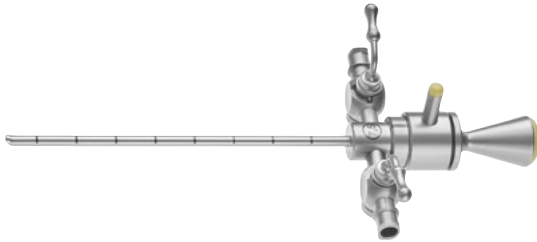
PEDIATRIC



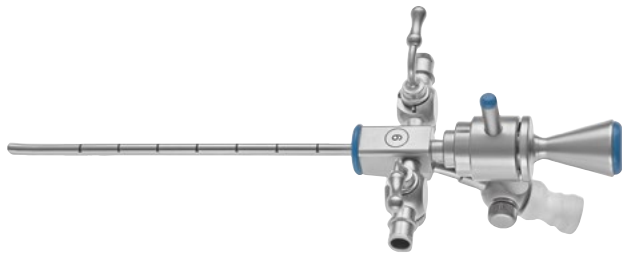
CYSTO-URETHROSCOPE SET FOR NEW BORN



RZ Cystoscope, Ø 2.0mm
 253-221-030 30°
 253-221-000 0°

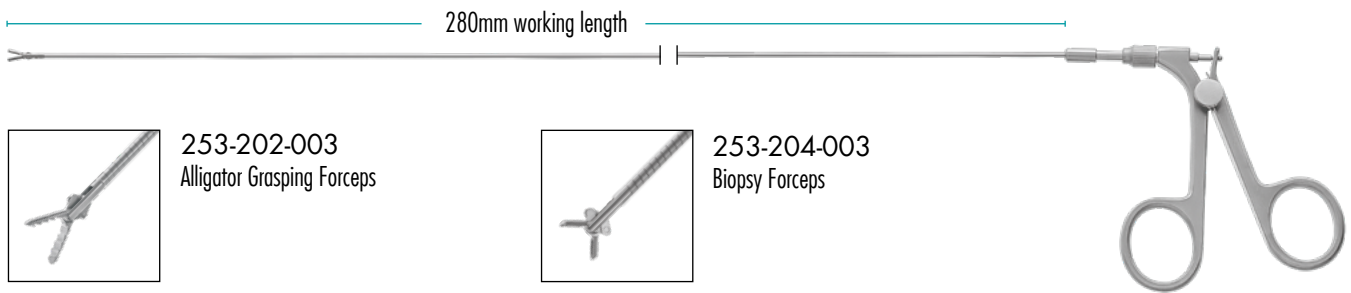


253-200-007 Cysto-Urethroscope Sheath, 7.5 Charr.



253-200-009 Cysto-Urethroscope Sheath, 9 Charr.,
 with 3 Charr. Instrument Channel

3 Charr. Instruments for new born set



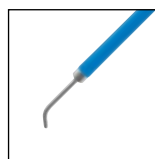
253-202-003
 Alligator Grasping Forceps



253-204-003
 Biopsy Forceps

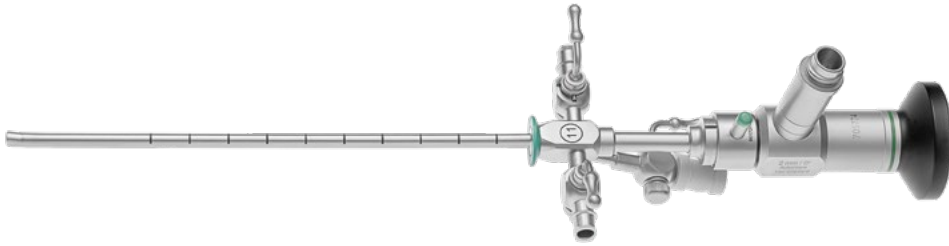


253-370-253
 Ball Electrode, 250mm length

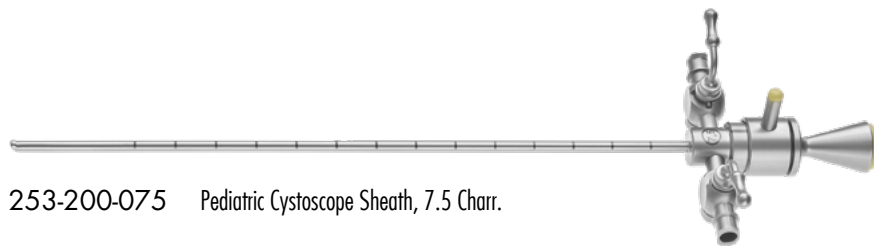
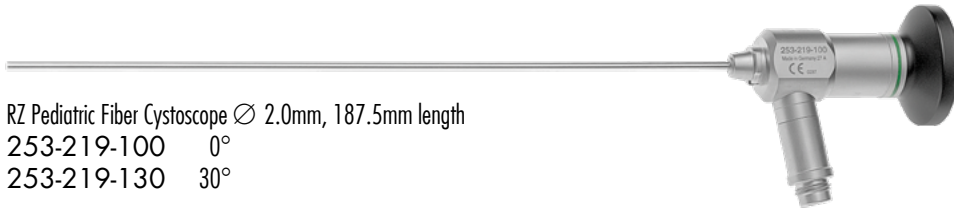


253-371-253
 Needle Electrode, 250mm length

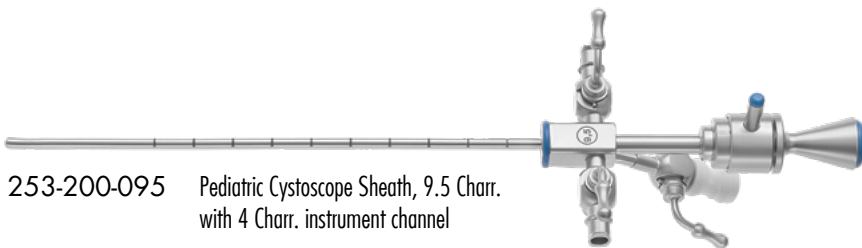
Ø 2.0mm PEDIATRIC CYSTOSCOPY



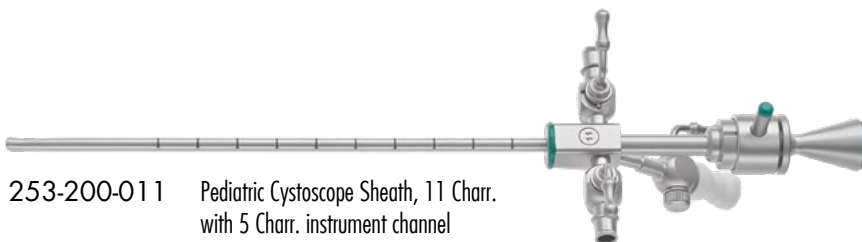
RZ Pediatric Fiber Cystoscope Ø 2.0mm, 187.5mm length
 253-219-100 0°
 253-219-130 30°



253-200-075 Pediatric Cystoscope Sheath, 7.5 Charr.



253-200-095 Pediatric Cystoscope Sheath, 9.5 Charr.
 with 4 Charr. instrument channel

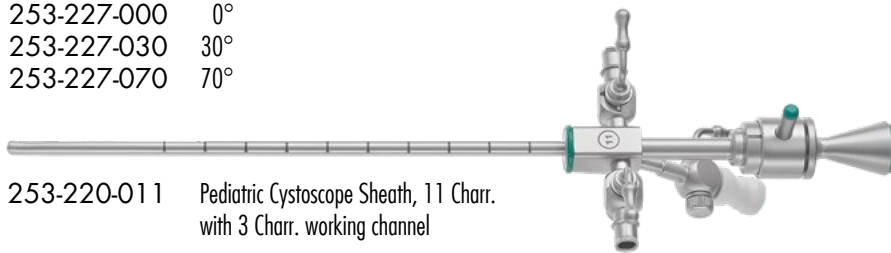


253-200-011 Pediatric Cystoscope Sheath, 11 Charr.
 with 5 Charr. instrument channel

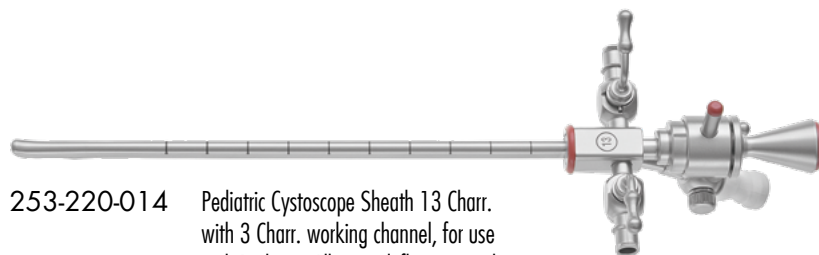
Ø 2.7mm PEDIATRIC CYSTOSCOPY



RZ Pediatric Cystoscope, 2.7mm diameter, 187.5mm working length
 253-227-000 0°
 253-227-030 30°
 253-227-070 70°



253-220-011 Pediatric Cystoscope Sheath, 11 Charr.
 with 3 Charr. working channel



253-220-014 Pediatric Cystoscope Sheath 13 Charr.
 with 3 Charr. working channel, for use
 with Bridge or Albarran deflecting mechanism




253-220-025
 Albarran deflecting mechanism for use with 253-220-014


253-220-030
 Bridge for use with 253-220-014

3 Charr. Instruments for Ø 2.0 / 2.7mm Pediatric Cystoscopy


280mm working length



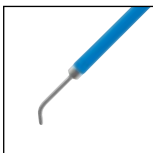
253-202-003
Alligator Grasping Forceps



253-204-003
Biopsy Forceps

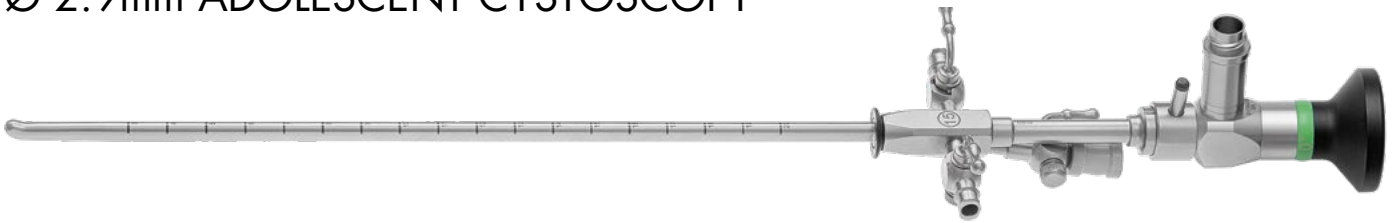


253-370-253
Ball Electrode, 250mm length

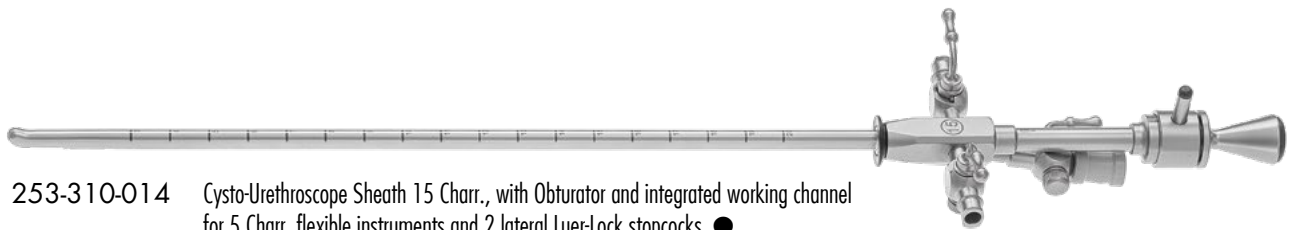


253-371-253
Needle Electrode, 250mm length

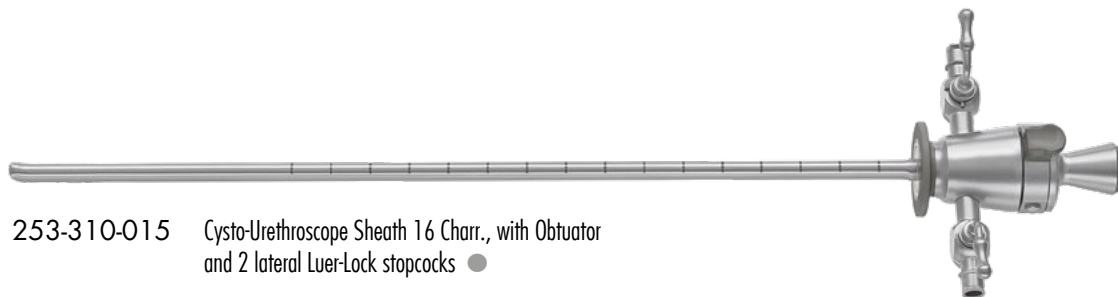
Ø 2.9mm ADOLESCENT CYSTOSCOPY



RZ Cystoscope, Ø 2.9mm
 253-829-000 0°
 253-829-030 30°



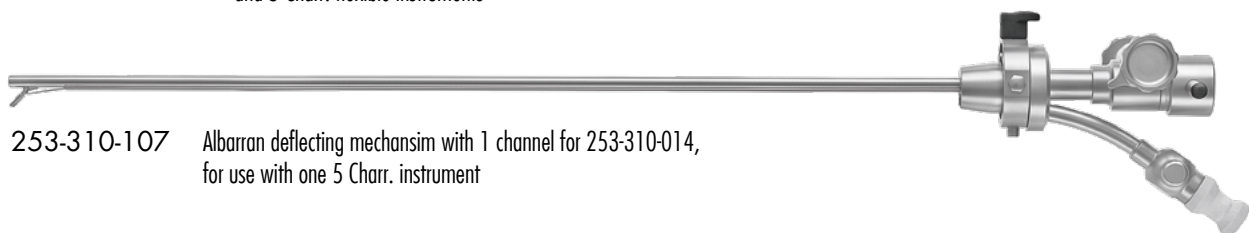
253-310-014 Cysto-Urethroscope Sheath 15 Charr., with Obturator and integrated working channel for 5 Charr. flexible instruments and 2 lateral Luer-Lock stopcocks ●



253-310-015 Cysto-Urethroscope Sheath 16 Charr., with Obturator and 2 lateral Luer-Lock stopcocks ●

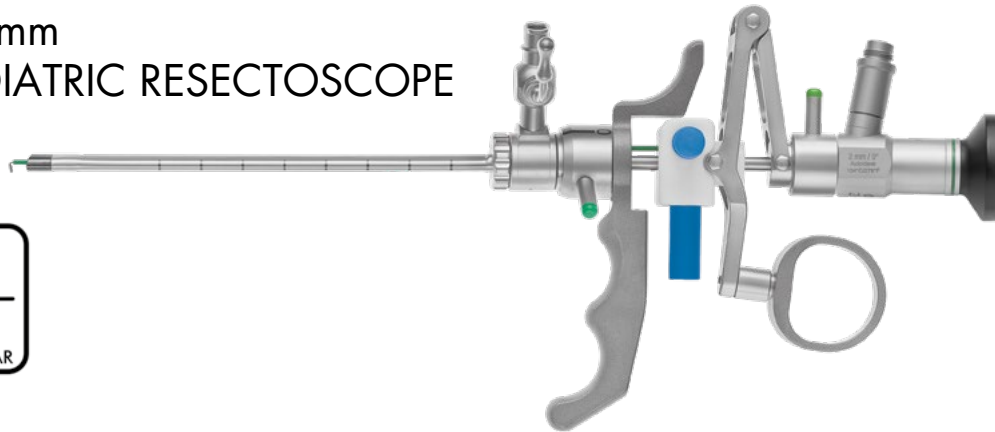


1 253-310-100 Telescope bridge without channel
2 253-310-101 Telescope bridge with 1 channel for use with 253-310-014 and 5 Charr. flexible instruments



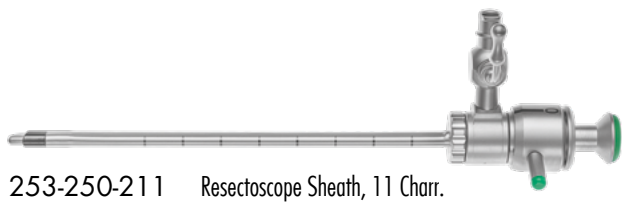
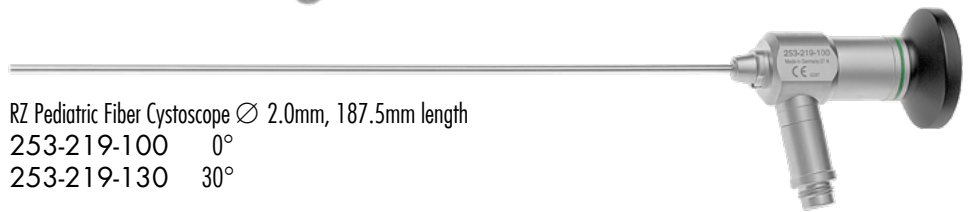
253-310-107 Albarran deflecting mechanism with 1 channel for 253-310-014, for use with one 5 Charr. instrument

Ø 2.0mm PEDIATRIC RESECTOSCOPE

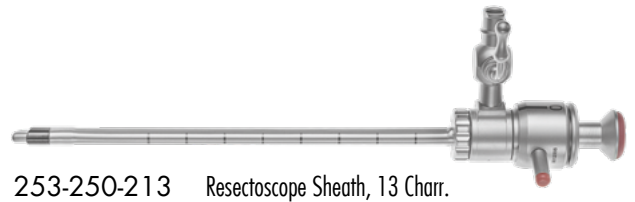


253-250-200 Passive working element for use with Ø 2.0mm RZ Fiber Cystoscope 253-219-100

RZ Pediatric Fiber Cystoscope Ø 2.0mm, 187.5mm length
253-219-100 0°
253-219-130 30°



253-250-211 Resectoscope Sheath, 11 Charr. with obturator ●



253-250-213 Resectoscope Sheath, 13 Charr. with obturator ●

Electrodes

11
CHARR.

13
CHARR.



Cutting Loop

253-251-111

253-252-111



Coagulation Electrode, blunt

253-251-112

253-252-112



Hook Electrode with ball

253-251-113

253-252-113



Hook Electrode without ball

253-251-114

253-252-114

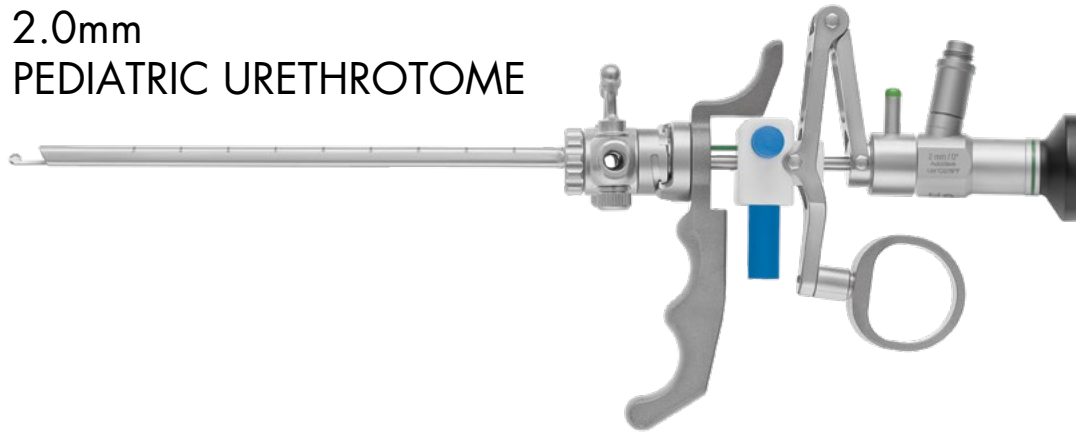


Needle Electrode, pointed

253-251-115

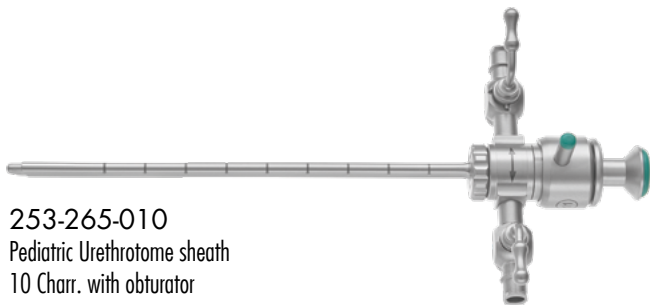
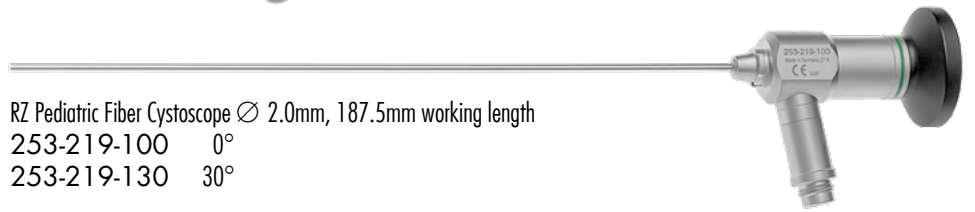
253-252-115

Ø 2.0mm PEDIATRIC URETHROTOME

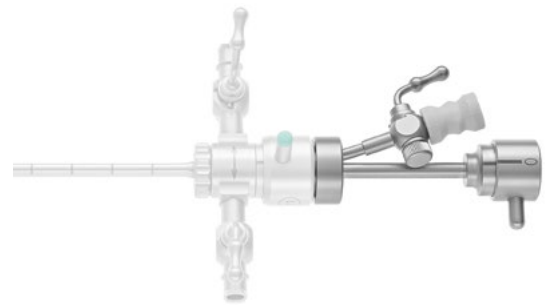


253-250-200 Passive working element for use with Ø 2.0mm RZ Fiber Cystoscope 253-219-100

RZ Pediatric Fiber Cystoscope Ø 2.0mm, 187.5mm working length
 253-219-100 0°
 253-219-130 30°



253-265-010
 Pediatric Urethrotome sheath
 10 Charr. with obturator



253-255-001 Bridge with 1 channel

Electrodes



Knife with straight cutting edge 253-265-101



Round knife 253-265-102



Sickle Knife 253-265-103



Hook Knife 253-265-104

RZ PEDIATRIC CYSTO-URETHROTOMES

standard LINE

253-200-100 150mm

7.5 CHARR.	9.5 CHARR.	6.0 CHARR.
DISTAL	PROXIMAL	WORKING CHANNEL*

* for use with instruments up to 5 Charr.

slim LINE

253-200-500 150mm

6.0 CHARR.	7.5 CHARR.	5.0 CHARR.
DISTAL	PROXIMAL	WORKING CHANNEL*

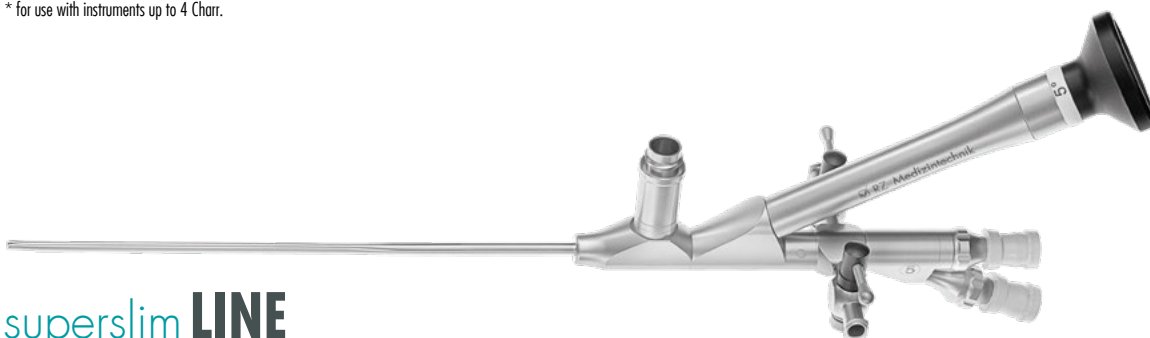
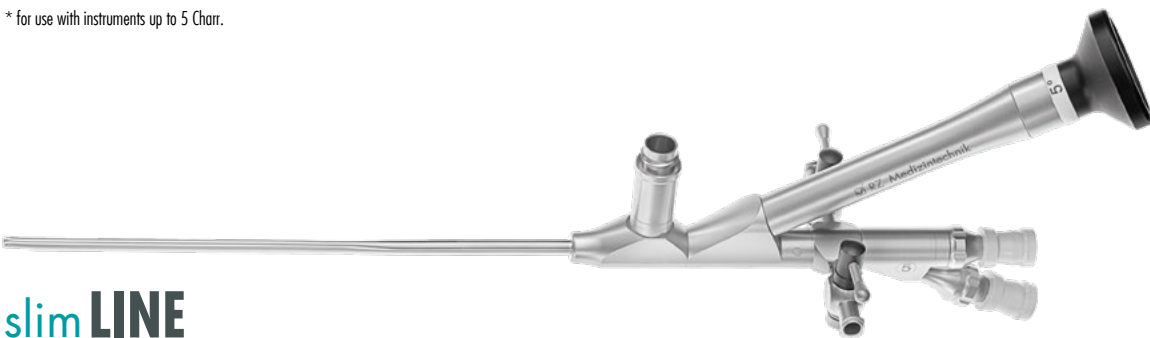
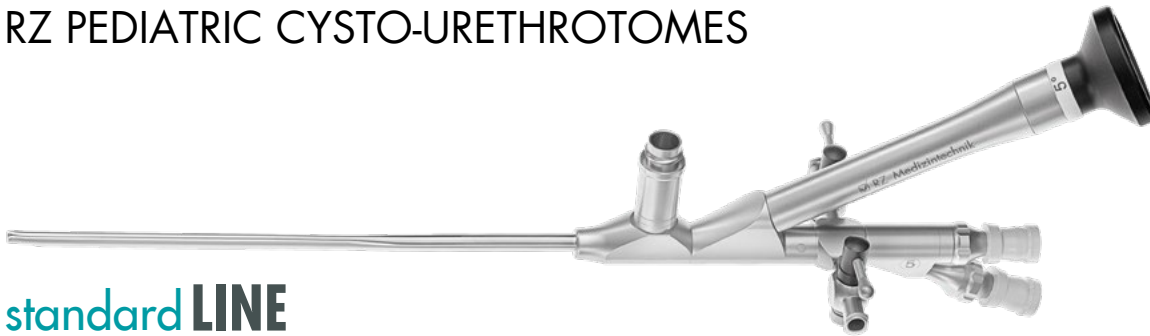
* for use with instruments up to 4 Charr.

superslim LINE

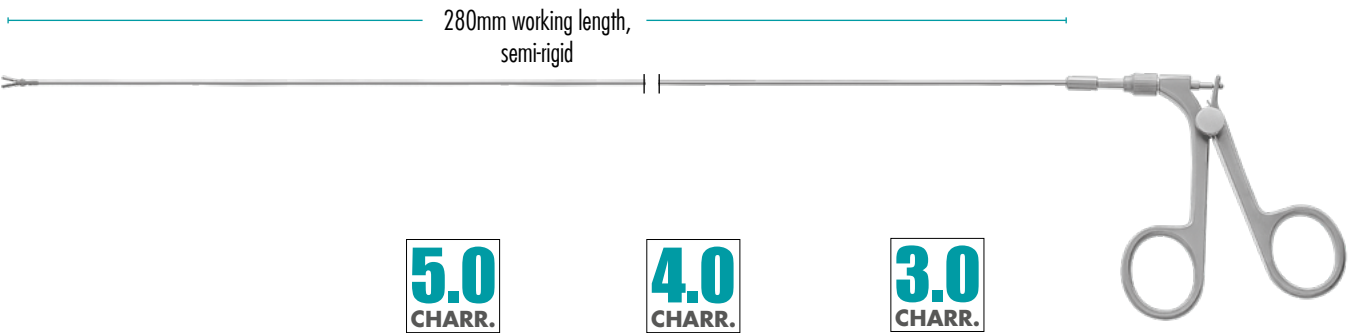
253-200-600 150mm





4.5 CHARR.	6.0 CHARR.	3.5 CHARR.
DISTAL	PROXIMAL	WORKING CHANNEL*

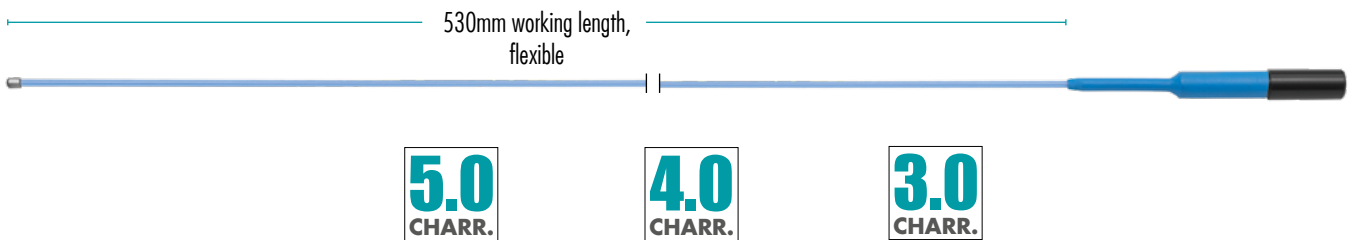
* for use with instruments up to 3 Charr.





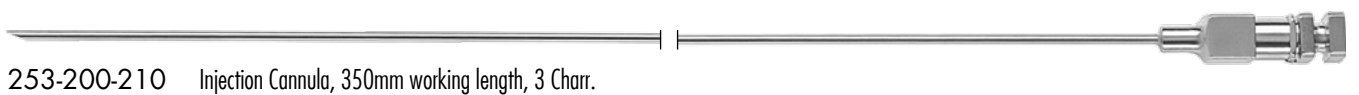
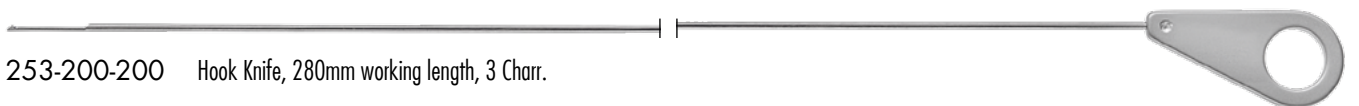
INSTRUMENTS FOR PEDIATRIC CYSTO-URETHROTOMES



	5.0 CHARR.	4.0 CHARR.	3.0 CHARR.	
	253-200-128	253-204-128	253-203-128	Stone Grasping Forceps, double action jaws
	253-200-228	253-204-228	253-203-228	Large Stone Grasping Forceps, double action jaws
	253-200-328	253-204-328	253-203-328	Biopsy Forceps, double action
	253-200-428	253-204-428	253-203-428	Scissors, single action



	5.0 CHARR.	4.0 CHARR.	3.0 CHARR.	
	253-370-005	253-370-004	253-370-003	Ball Electrode
	253-371-005	253-371-004	253-371-003	Needle Electrode



HIGH FREQUENCY CABLES

for RZ pediatric resectoscope systems, 4.5m length



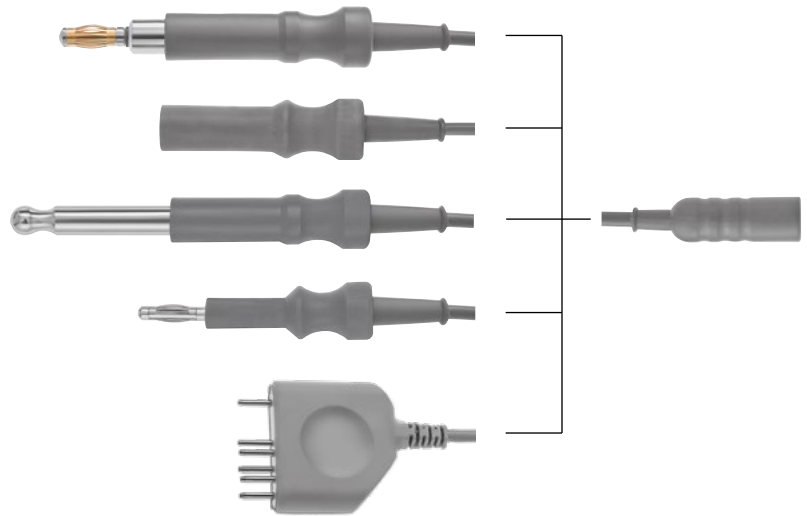
253-610-001* with 5 mm plug for Erbe HF-unit

253-610-002* with 4 mm plug for Martin HF-unit

253-610-003* with 8 mm plug for Valleylab HF-unit

253-610-004* with 4 mm plug for older HF-units

700-501-453* SDS plug



253-400-601 for Erbe HF-unit

253-400-602 for Martin HF-unit

700-500-453 SDS plug

700-400-606 for BOWA

