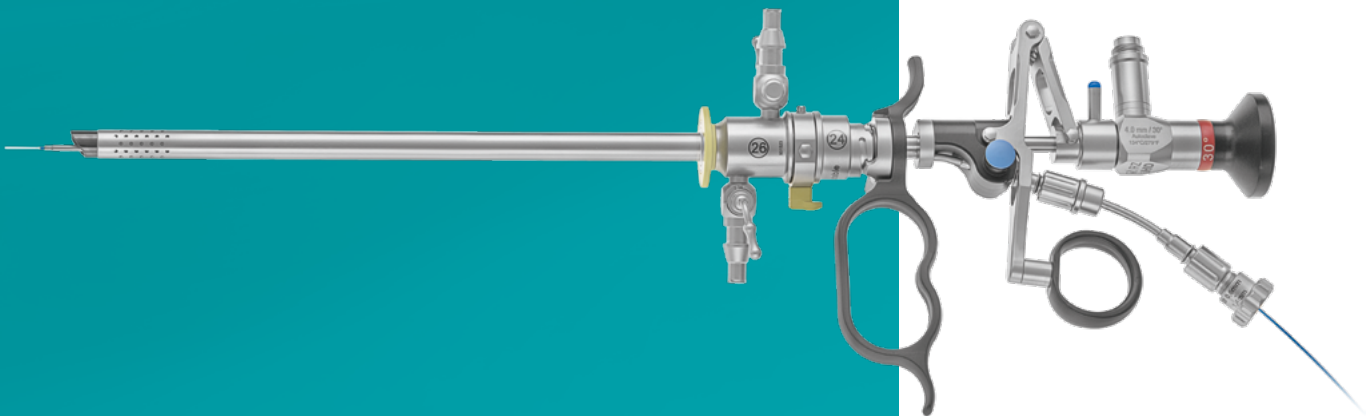


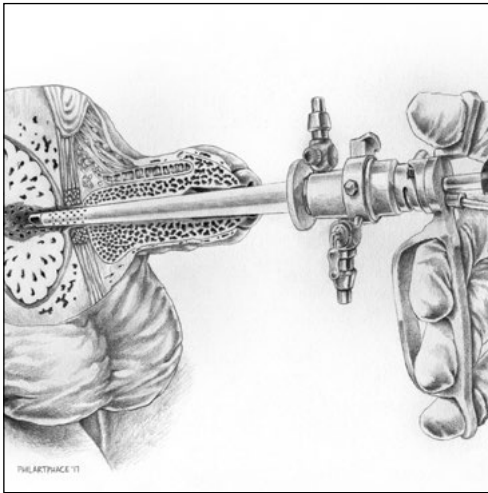
# LASER ENUCLEATION



## LASER ENUCLEATION

Holmium laser prostate surgery is a minimally invasive treatment for Benign Prostate Hyperplasia (BPH). Laser enucleation of the prostate uses a laser resectoscope to enucleate the prostate tissue that is blocking urine flow. A morcellator which passes through the morcescope is then used to cut the prostate and remove the adenoma.

As with other types of prostate laser surgery, Laser enucleation can offer faster recovery, less risk of bleeding and transfusion and better symptom relief compared to traditional prostate surgery.

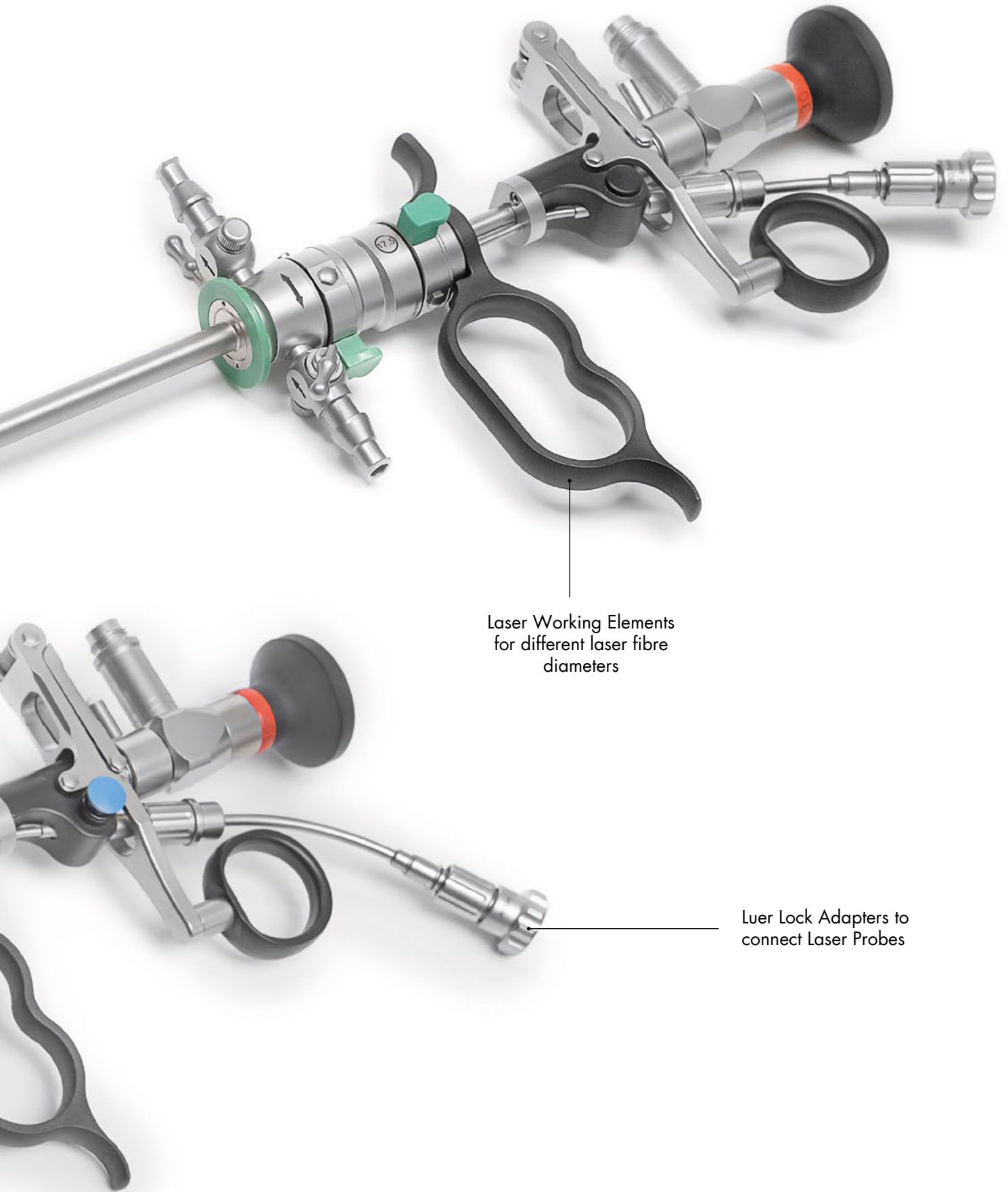


Sheaths for Laser applications  
from 26 to 18.5 Charr.



Front Fire Laser resection





Laser Working Elements  
for different laser fibre  
diameters

Luer Lock Adapters to  
connect Laser Probes

### LASER ENUCLEATION SETS FRONT FIRE

HoLEP / ThuLEP / Overview



**24**  
CHARR.

**22**  
CHARR.

**18.5**  
CHARR.



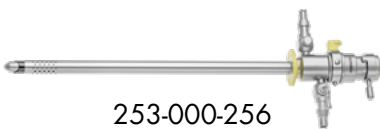
253-804-000 0°  
253-804-012 12°  
253-804-030 30°



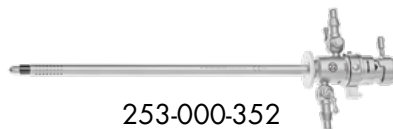
351-829-000 0°  
351-829-012 12°  
351-829-030 30°



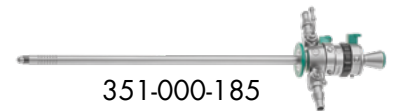
351-829-000 0°  
351-829-012 12°  
351-829-030 30°



253-000-256



253-000-352



351-000-185



253-901-220  
(to be used for morcellation)



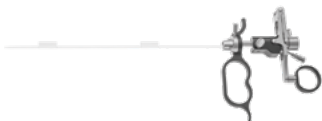
253-000-300 fibers up to 0.8mm  
253-000-312 fibers up to 1.2mm



253-000-319 fibers up to 0.8mm  
253-000-316 fibers up to 1.2mm



253-000-318 fibers up to 0.8mm



253-000-305



253-900-121



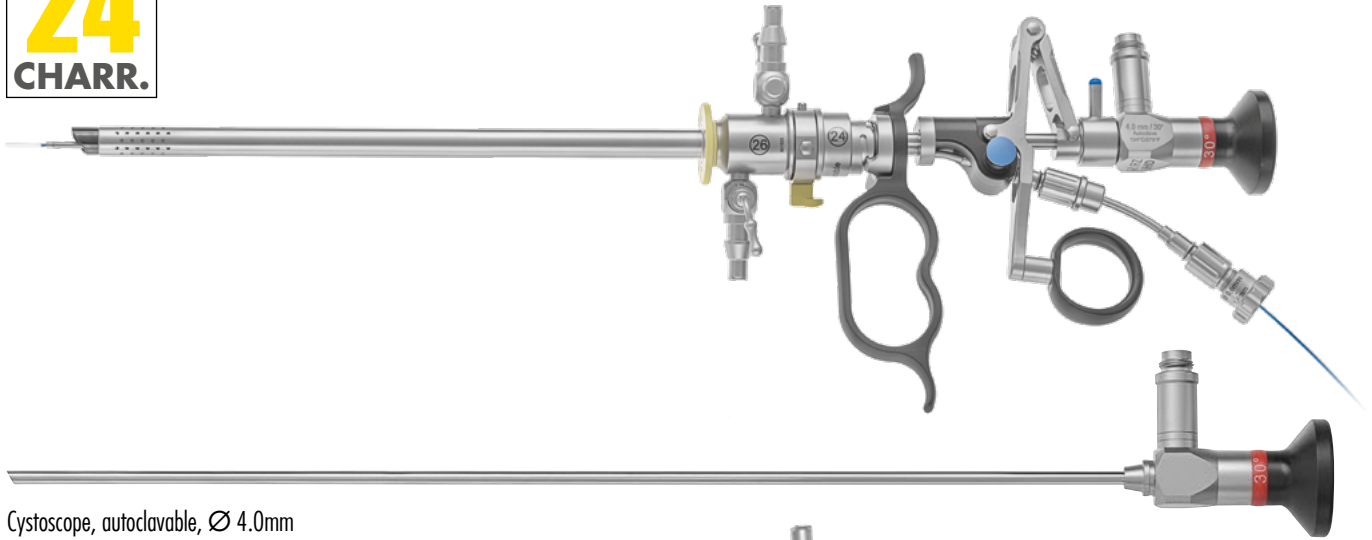
253-905-220



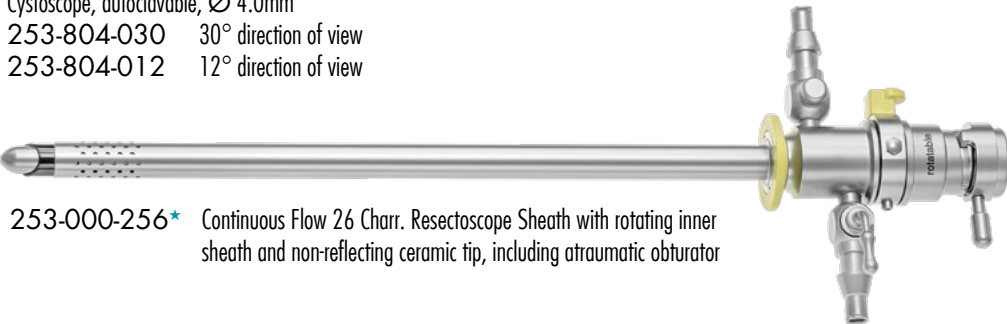
253-905-220

**24**  
**CHARR.**

### HoLEP Set



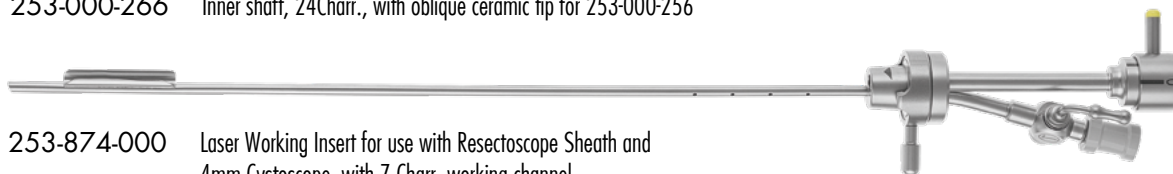
Cystoscope, autoclavable, Ø 4.0mm  
 253-804-030 30° direction of view  
 253-804-012 12° direction of view



253-000-256\* Continuous Flow 26 Charr. Resectoscope Sheath with rotating inner sheath and non-reflecting ceramic tip, including atraumatic obturator



253-000-266 Inner shaft, 24Charr., with oblique ceramic tip for 253-000-256



253-874-000 Laser Working Insert for use with Resectoscope Sheath and 4mm Cystoscope, with 7 Charr. working channel



RZ Laser Working Element, passive, for laser-probes  
 253-000-300 for fibres up to 0.8mm  
 253-000-312\* for fibres up to 1.2mm



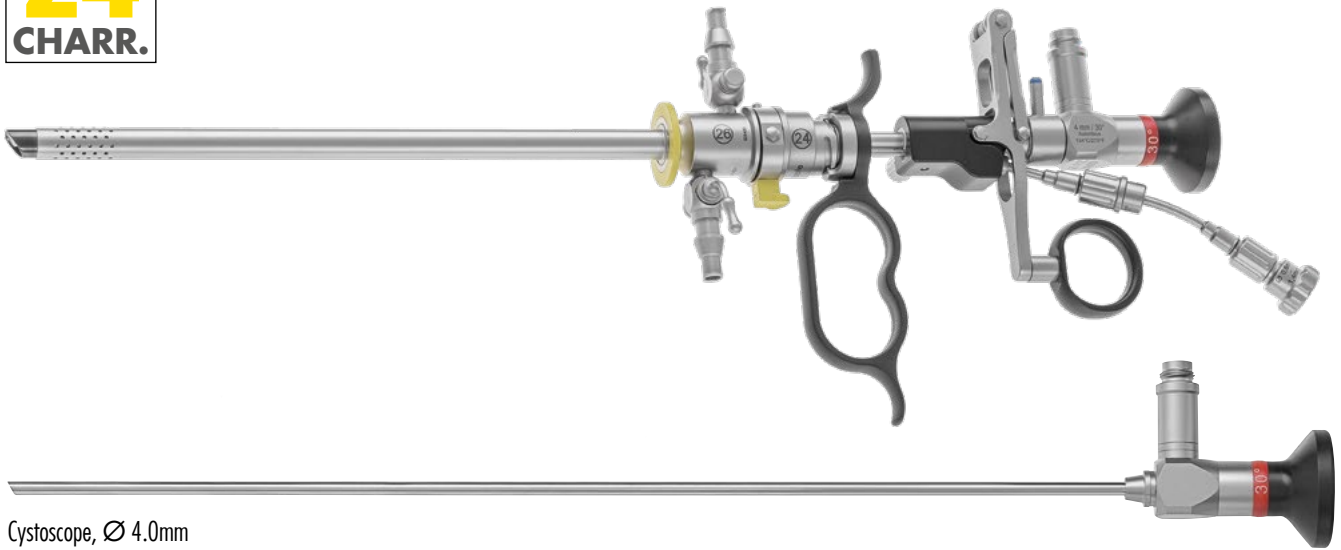
300-011-184\* Luer-Lock Tuohy Borst Adapter (Ø 0.6 - 1.4mm)



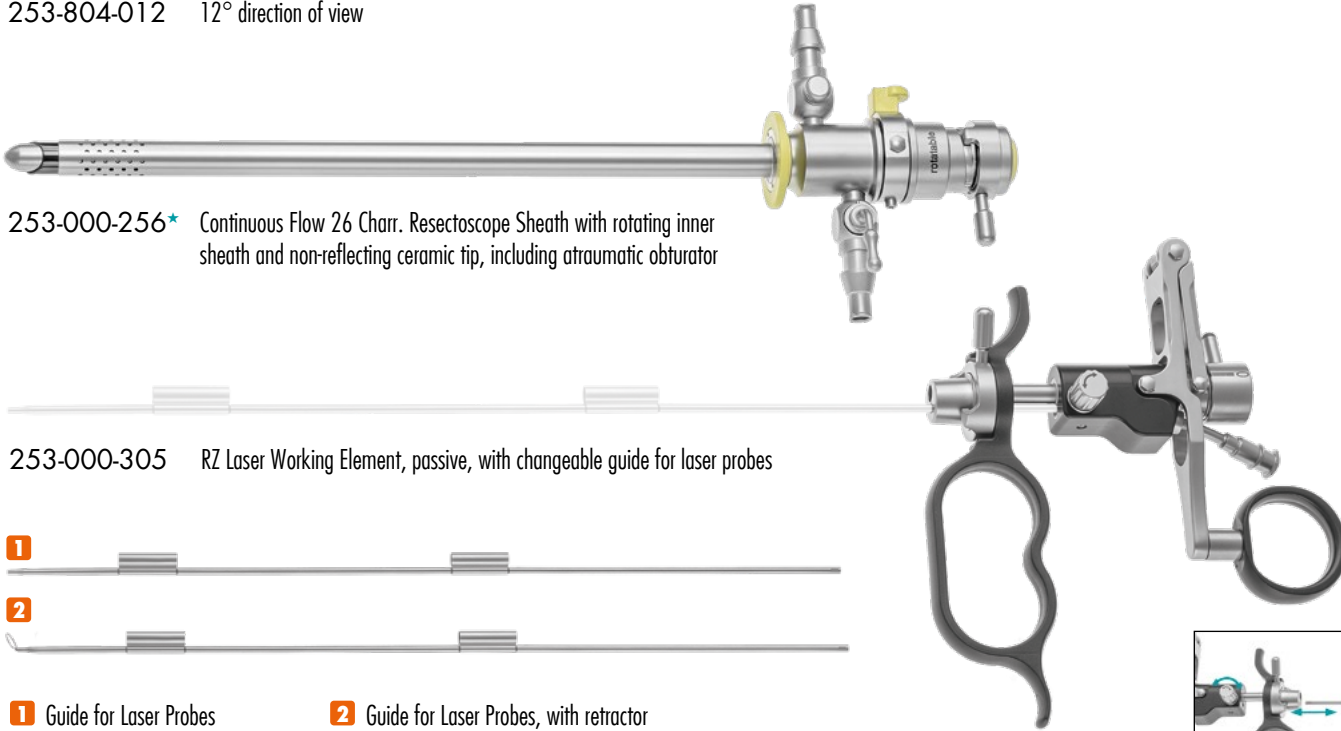
RZ LL-Connection, rotatable for use with Laser Probe  
 253-000-301\* short  
 253-000-302 long

**24**  
**CHARR.**

### HoLEP Set



Cystoscope, Ø 4.0mm  
 253-804-030 30° direction of view  
 253-804-012 12° direction of view

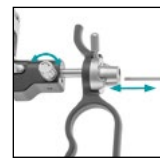


253-000-256\* Continuous Flow 26 Charr. Resectoscope Sheath with rotating inner sheath and non-reflecting ceramic tip, including atraumatic obturator

253-000-305 RZ Laser Working Element, passive, with changeable guide for laser probes



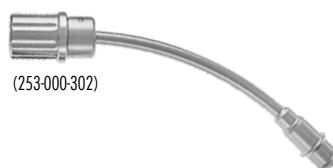
<b>1</b> Guide for Laser Probes	<b>2</b> Guide for Laser Probes, with retractor
253-000-320 0.8mm	253-000-330 0.8mm
253-000-321 1.0mm	253-000-331 1.0mm
253-000-322 1.2mm	253-000-332 1.2mm
253-000-323 1.4mm	253-000-333 1.4mm



detachable



300-011-184\* Luer-Lock Tuohy Borst Adapter (Ø 0.6 - 1.4mm)



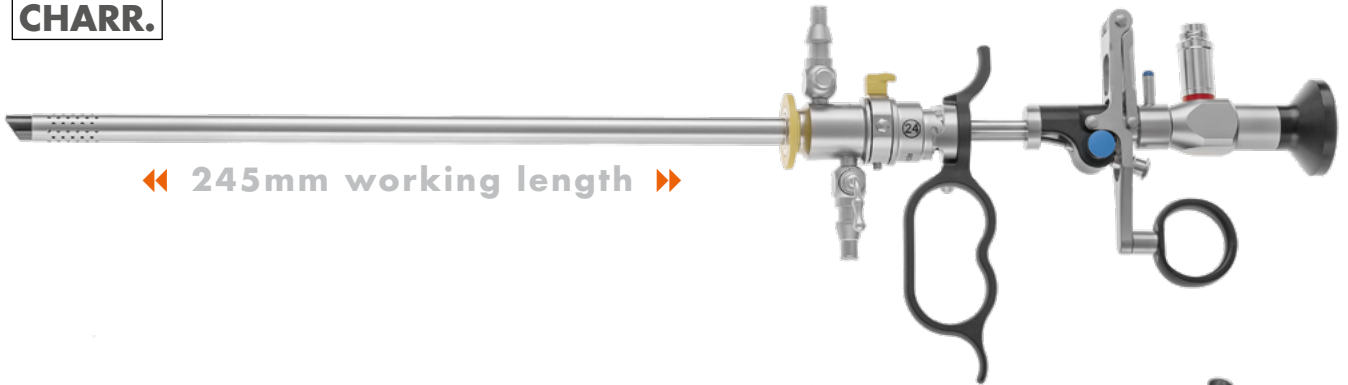
(253-000-302)

RZ LL-Connection, rotatable for use with Laser Probe  
 253-000-301\* short  
 253-000-302 long

**24**  
**CHARR.**

### XL Laser Resection

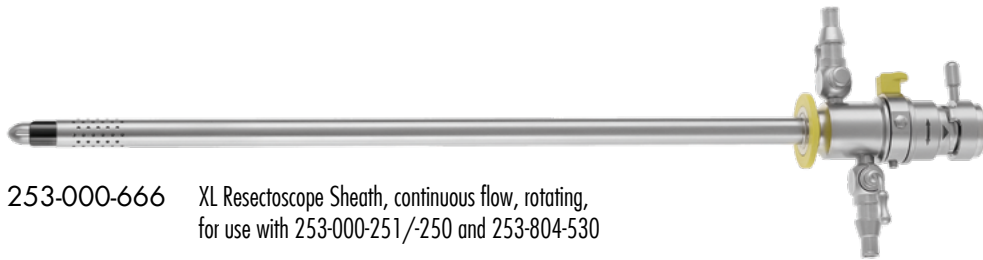
◀ 245mm working length ▶



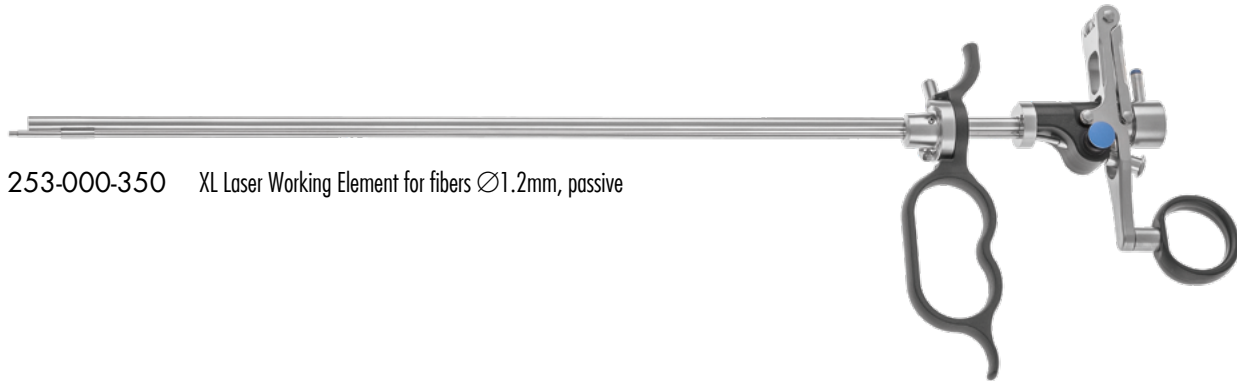
253-804-530 XL Cystoscope, Ø 4mm, 30° direction of view,  
365mm length



253-000-666 XL Resectoscope Sheath, continuous flow, rotating,  
for use with 253-000-251/-250 and 253-804-530

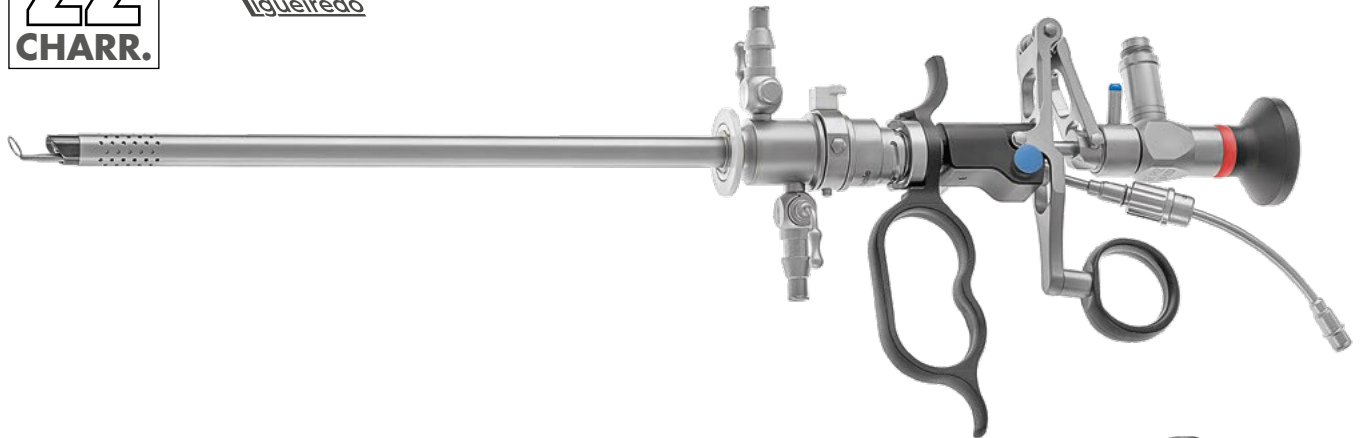


253-000-350 XL Laser Working Element for fibers Ø1.2mm, passive

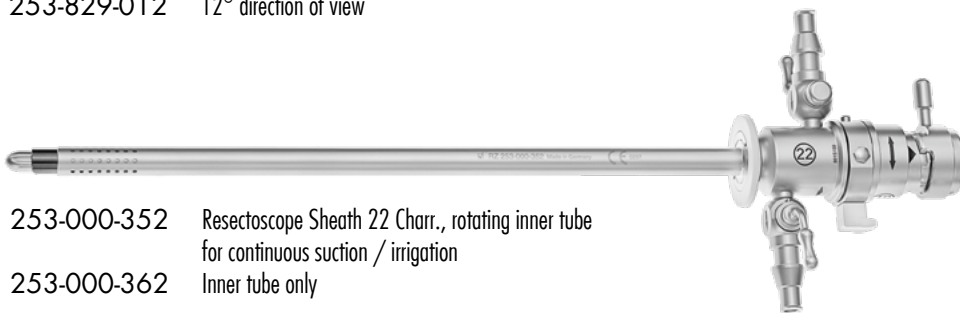




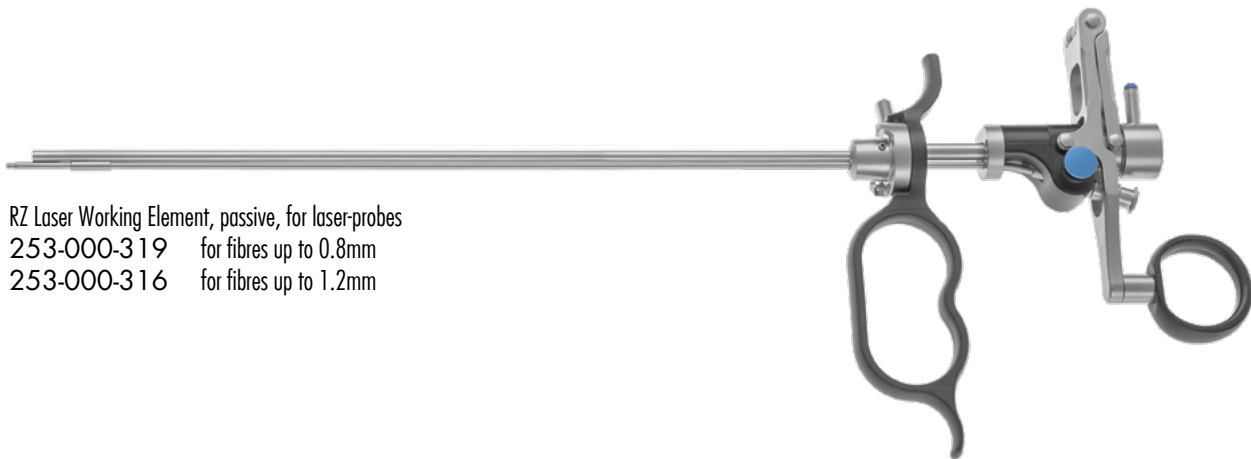
HoLEP MiLEP Set acc. Dr. Felipe C. A. de Figueiredo



Cystoscope, Ø 2.9mm  
 253-829-030 30° direction of view  
 253-829-012 12° direction of view



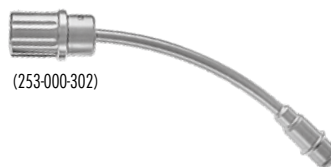
253-000-352 Resectoscope Sheath 22 Charr., rotating inner tube  
 for continuous suction / irrigation  
 253-000-362 Inner tube only



RZ Laser Working Element, passive, for laser-probes  
 253-000-319 for fibres up to 0.8mm  
 253-000-316 for fibres up to 1.2mm



300-011-184\* Luer-Lock Tuohy Borst Adapter (Ø 0.6 - 1.4mm)



(253-000-302)

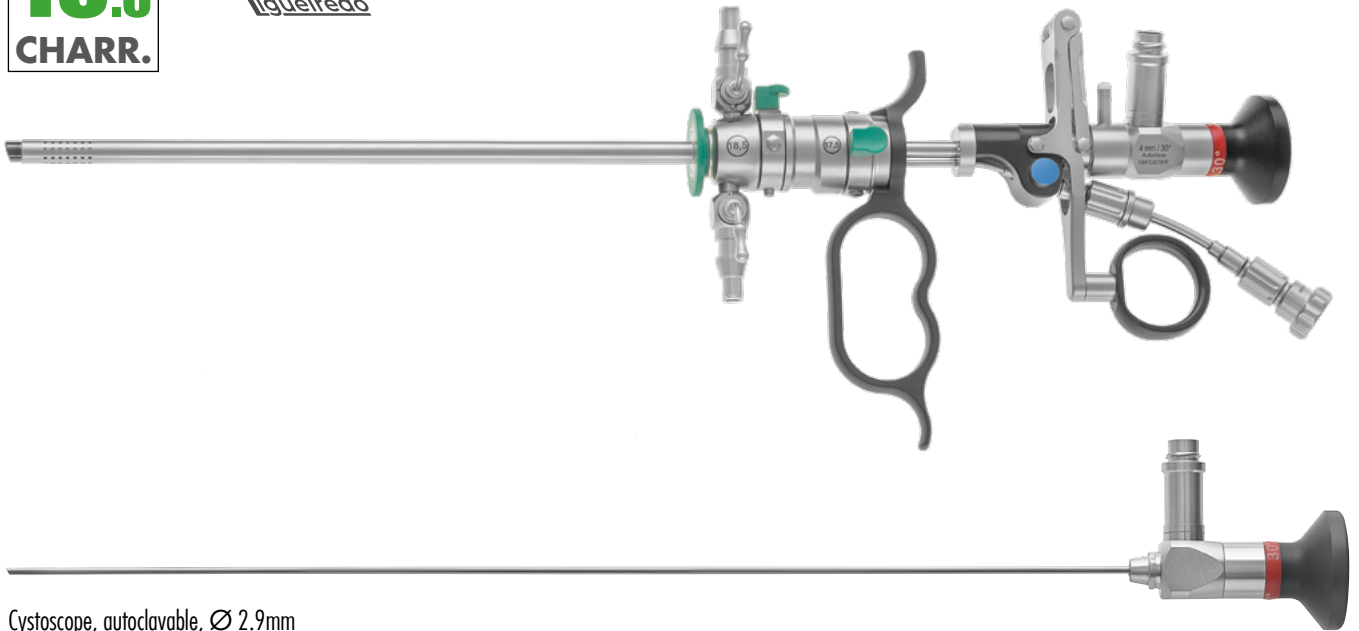
RZ LL-Connection, rotatable  
 for use with Laser Probe  
 253-000-301\* short  
 253-000-302 long



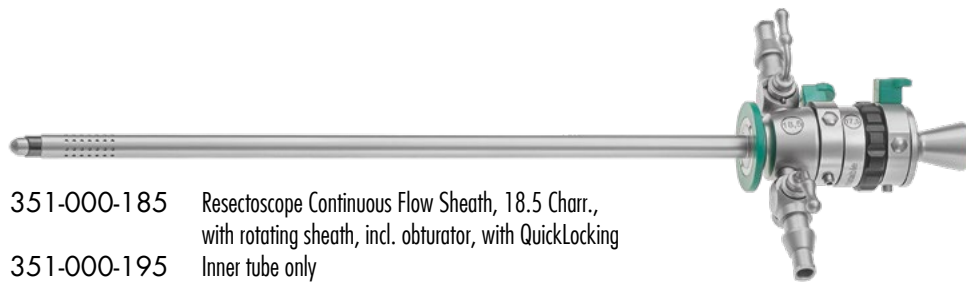
**18.5**  
**CHARR.**

HoLEP  
Figueiredo

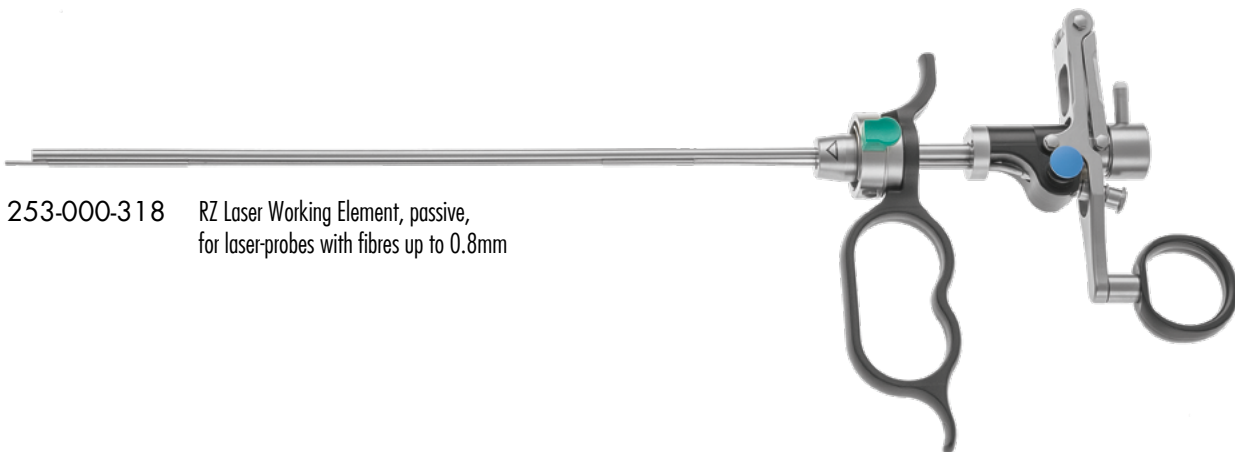
MiLEP Set acc. Dr. Felipe C. A. de Figueiredo



Cystoscope, autoclavable, Ø 2.9mm  
253-829-030 30° direction of view  
253-829-012 12° direction of view



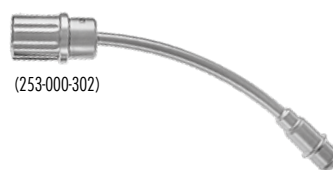
351-000-185 Resectoscope Continuous Flow Sheath, 18.5 Charr.,  
with rotating sheath, incl. obturator, with QuickLocking  
351-000-195 Inner tube only



253-000-318 RZ Laser Working Element, passive,  
for laser-probes with fibres up to 0.8mm



300-011-184\* Luer-Lock Tuohy Borst Adapter (Ø 0.6 - 1.4mm)

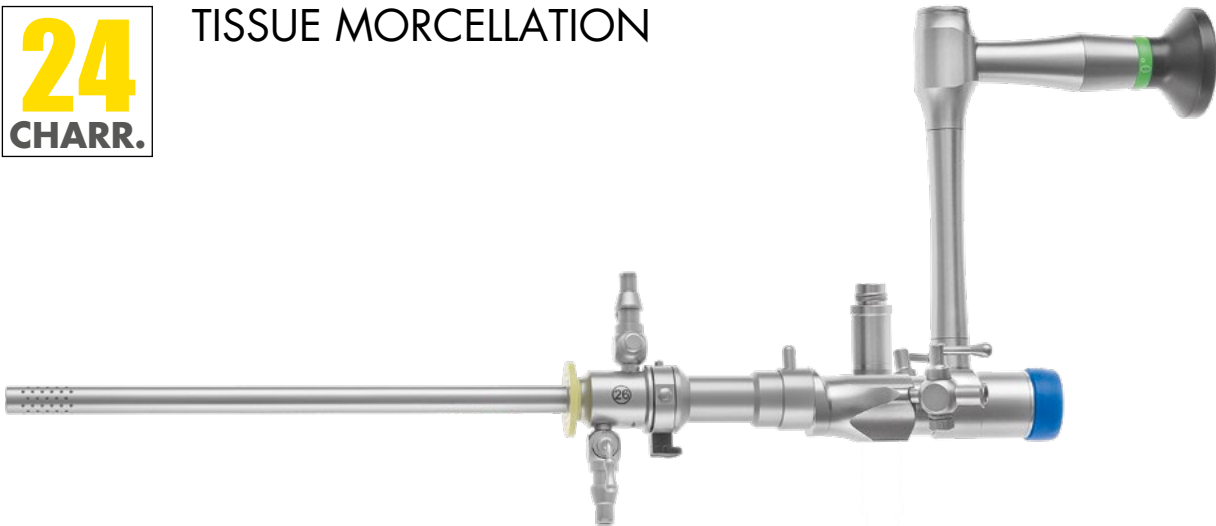


(253-000-302)

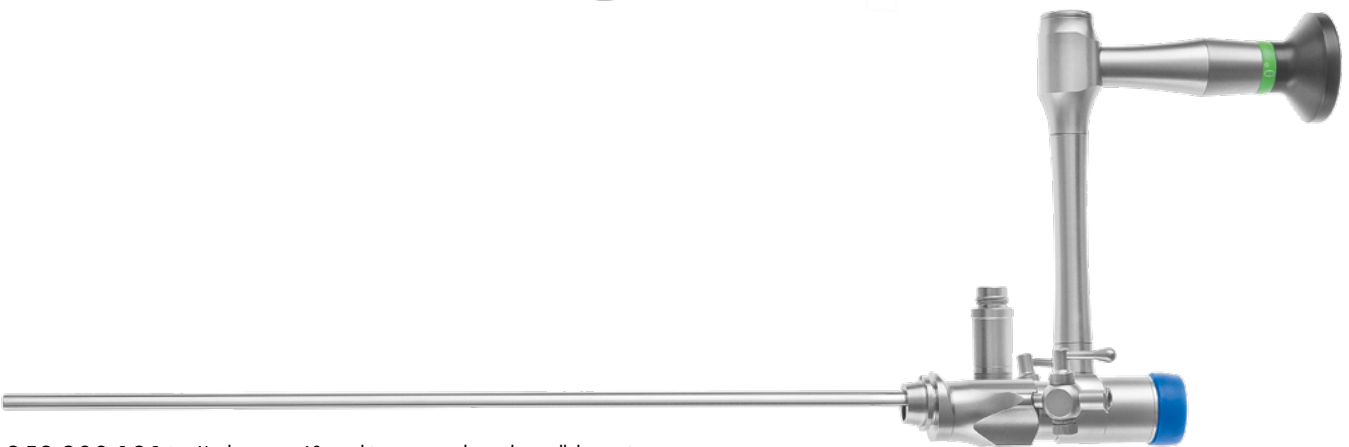
RZ LL-Connection, rotatable  
for use with Laser Probe  
253-000-301\* short  
253-000-302 long

**24**  
**CHARR.**

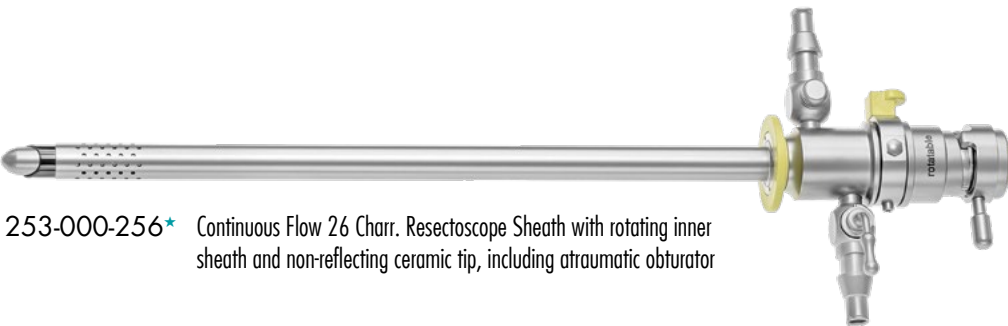
### TISSUE MORCELLATION



253-900-121\* Nephroscope 6°, oval instrument channel, parallel eye piece, 250mm working length



253-000-256\* Continuous Flow 26 Charr. Resectoscope Sheath with rotating inner sheath and non-reflecting ceramic tip, including atraumatic obturator



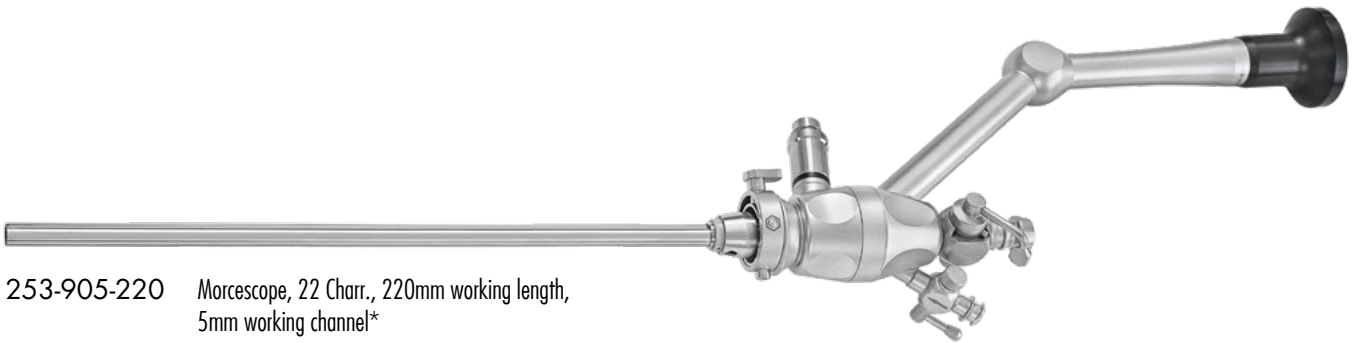
253-428-100\* Adapter for use with RZ Nephroscopes and Resectoscope Outer sheaths 253-000-356/-256

**22**  
**CHARR.**

standard HoLEP<sub>k</sub> Morcescope

acc. Dr. Felipe C. A. de Figueiredo

 **figueiredo**

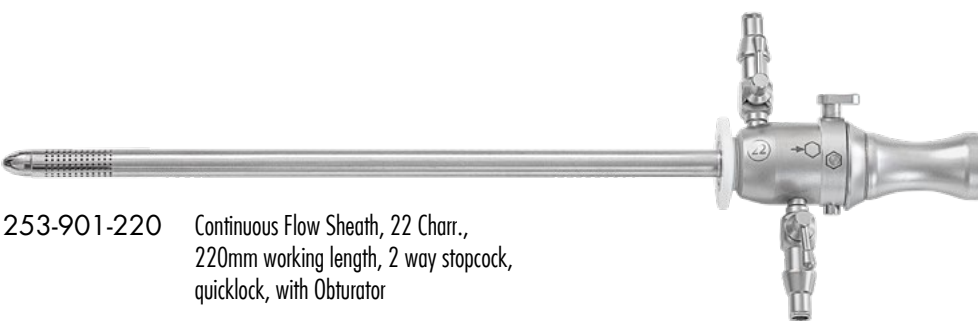


253-905-220 Morcescope, 22 Charr., 220mm working length, 5mm working channel\*

**18.5**  
**CHARR.**

\* to be used for morcellation after laser enucleation with 18.5 Charr. Resectoscope

standard HoLEP<sub>k</sub>



253-901-220 Continuous Flow Sheath, 22 Charr., 220mm working length, 2 way stopcock, quicklock, with Obturator

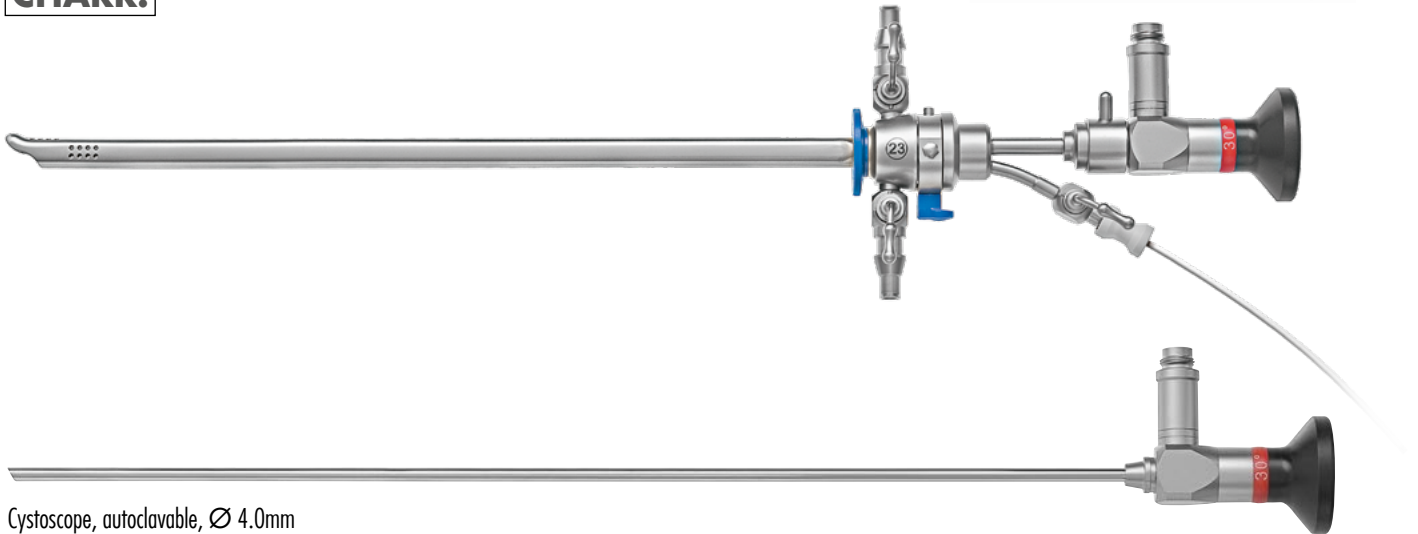


253-904-220 Sealing Cap for Morcescope, with membrane to puncture through, package of 10 pieces



### UNIVERSAL LASER CYSTOSCOPE SET

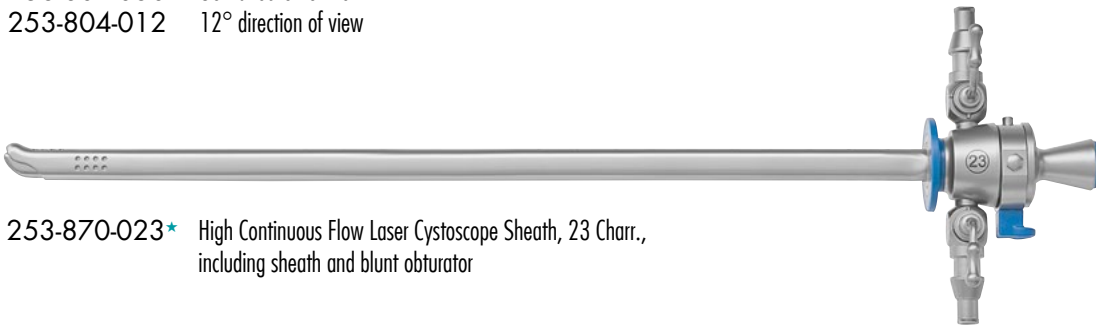
side fire, compatible with all laser fibres up to 2.5mm  
for PVP, HoLEP & ThuVAP



Cystoscope, autoclavable, Ø 4.0mm

253-804-030 30° direction of view

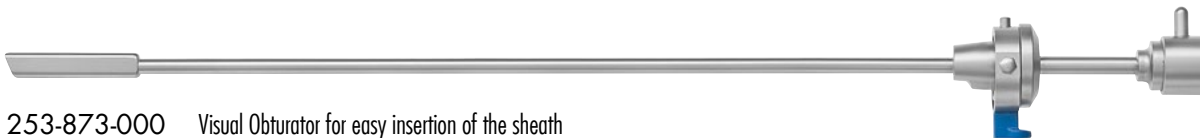
253-804-012 12° direction of view



253-870-023\* High Continuous Flow Laser Cystoscope Sheath, 23 Charr., including sheath and blunt obturator



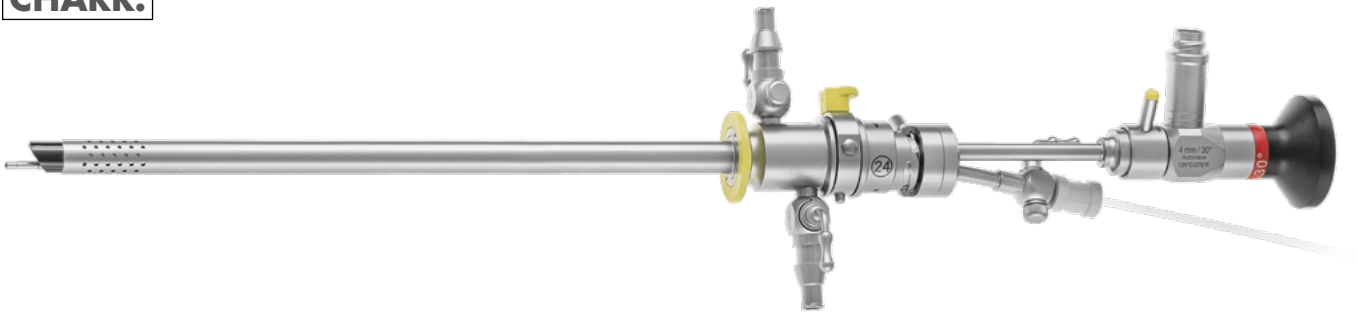
253-872-000\* Telescope bridge and laser guide with 1 working channel, for 8 Charr. laser fibers and instruments



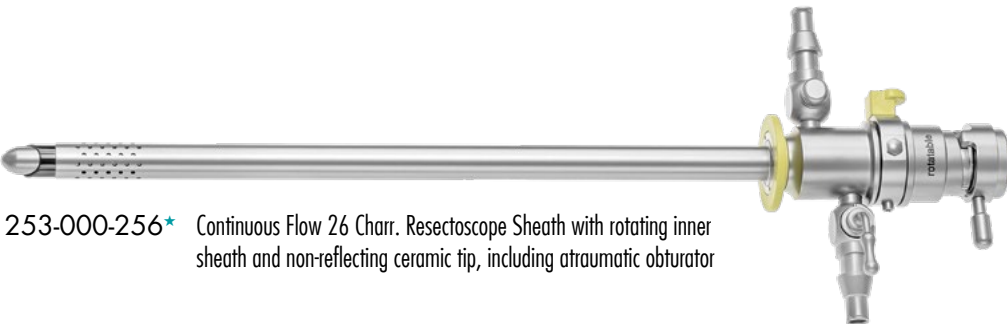
253-873-000 Visual Obturator for easy insertion of the sheath into the urethra and bladder

**24**  
**CHARR.**

### LASER RESECTION SET for PVP, HoLEP & ThuVAP



Cystoscope, autoclavable, Ø 4.0mm  
253-804-030 30° direction of view  
253-804-012 12° direction of view



253-000-256\* Continuous Flow 26 Charr. Resectoscope Sheath with rotating inner sheath and non-reflecting ceramic tip, including atraumatic obturator



253-874-000 Laser Working Insert with 7 Charr. working channel, for 24/26 Charr. sheaths and 4mm telescope