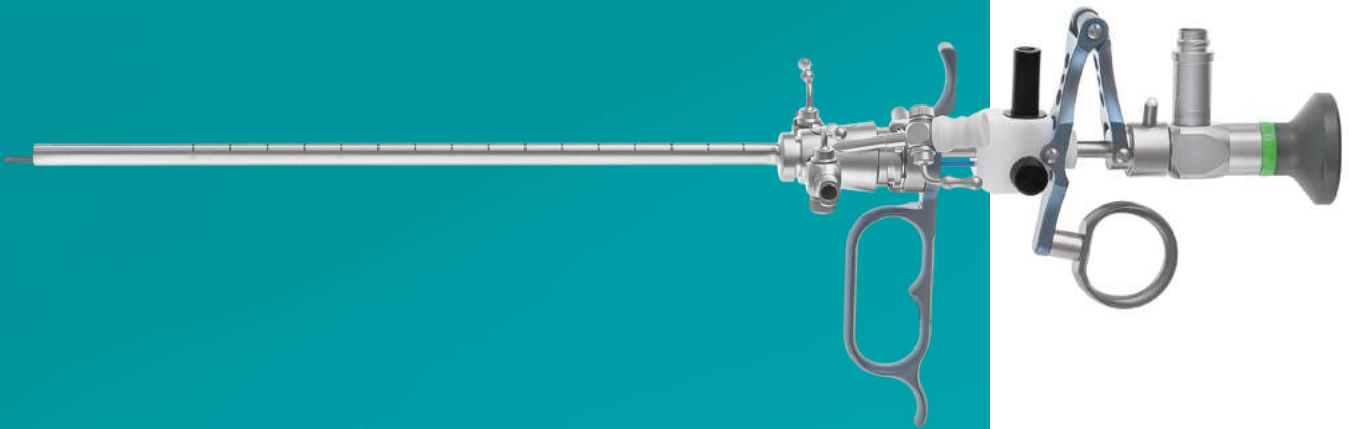
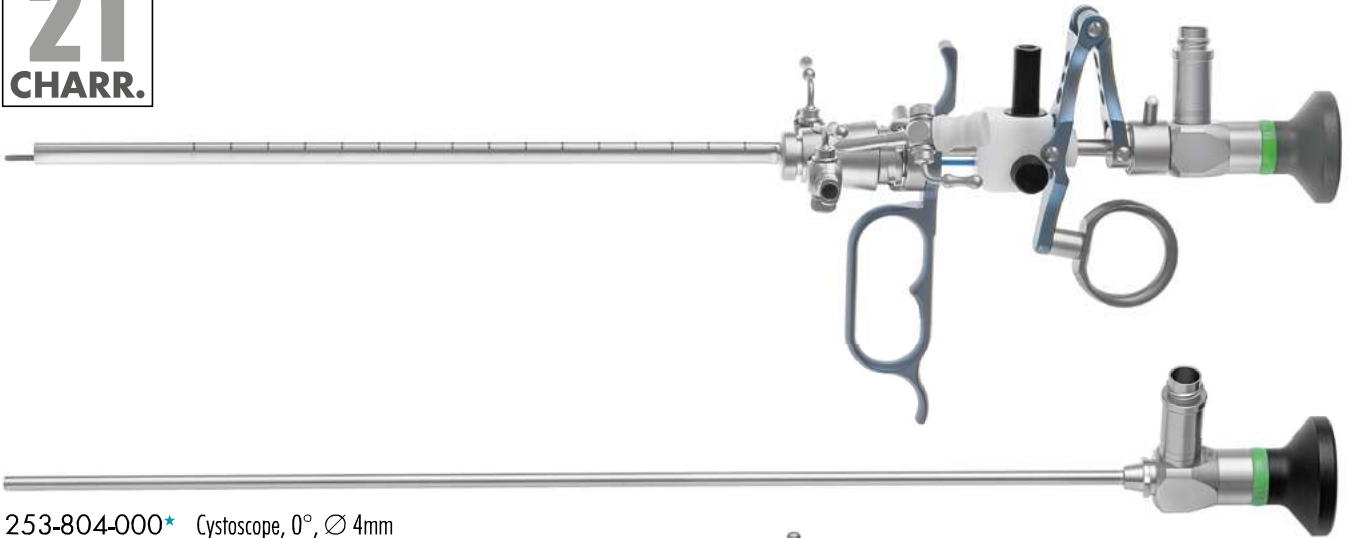


URETHROTOME

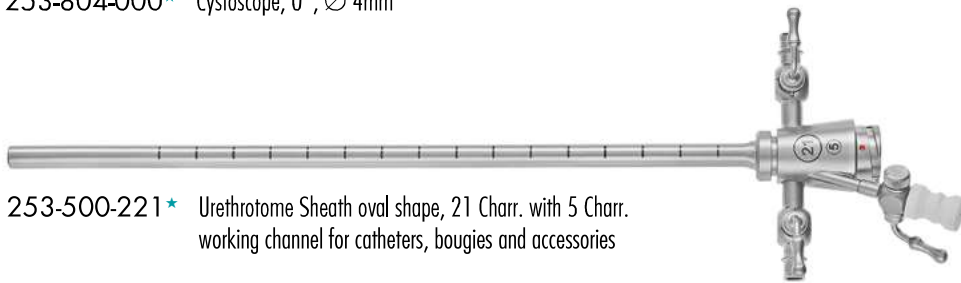


21
CHARR.

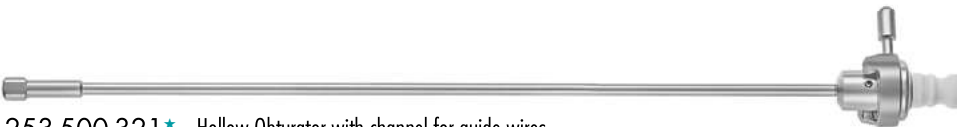
URETHROTOME SET



253-804-000* Cystoscope, 0°, Ø 4mm



253-500-221* Urethrotome Sheath oval shape, 21 Charr. with 5 Charr. working channel for catheters, bougies and accessories



253-500-321* Hollow Obturator with channel for guide wires



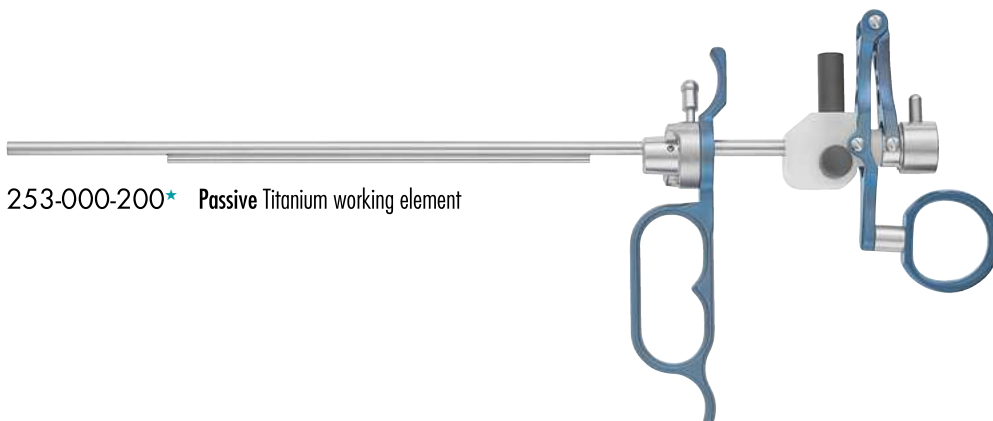
253-500-230* Supplementary Sheath, half round, to insert Foley catheters, double Lock for secure fixation on the Urethrotome Sheath



253-500-325 Bridge with channel for 5 Charr. accessories



253-500-229 Continuous Flow supplementary sheath with double lock



253-000-200* Passive Titanium working element



1 Guide Stem Urethrotome Knives, for use without HF



253-500-561★

Sachse knife, straight



253-500-562

Sickle knife, retrograde



253-500-563★

Half round knife, 180° cutting

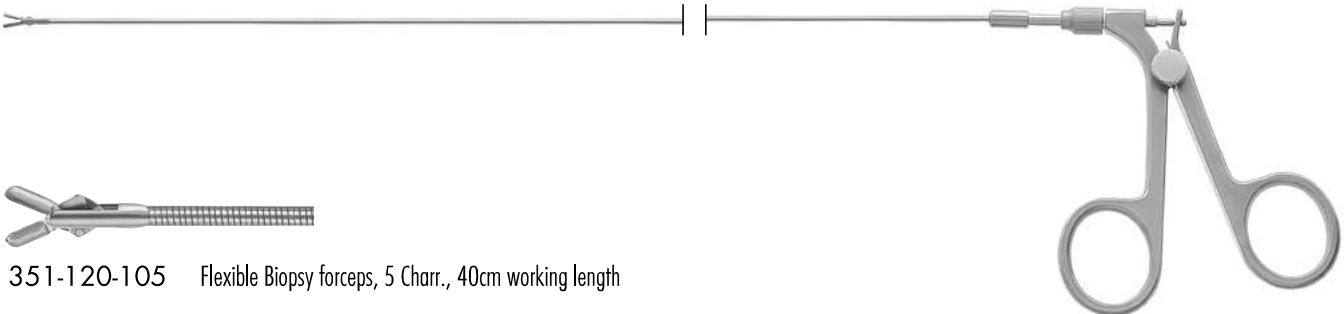


253-500-564

WaveCut knife, straight



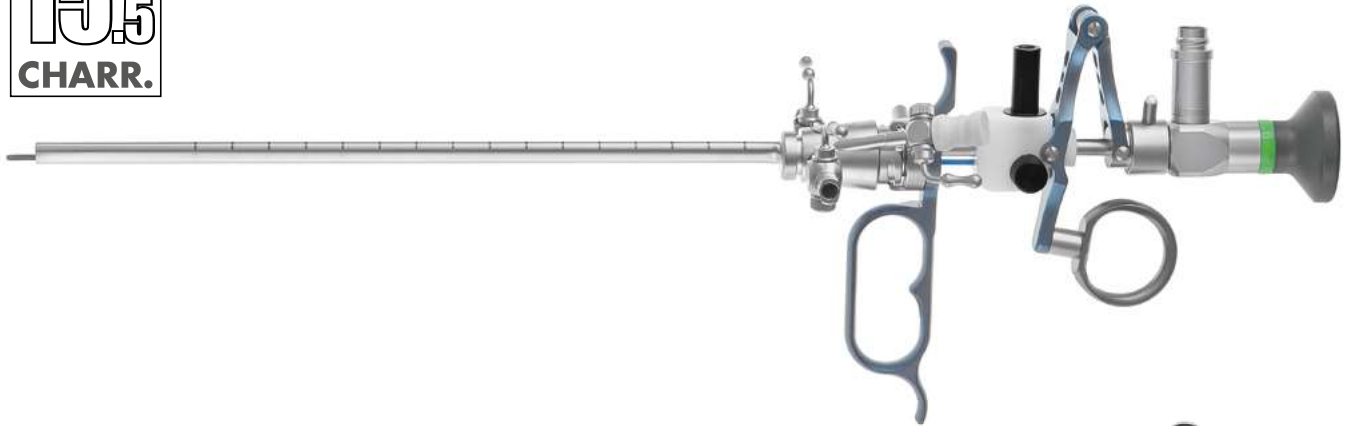
253-300-999★ Storage container for knives and electrodes, metal, perforated



351-120-105 Flexible Biopsy forceps, 5 Charr., 40cm working length

15.5
CHARR.

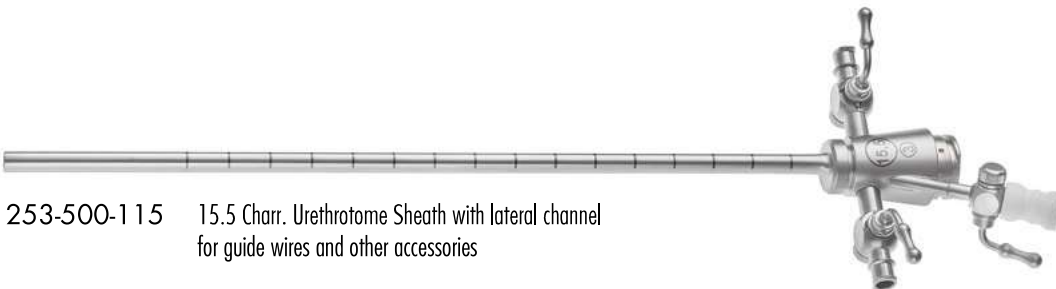
URETHROTOME SET



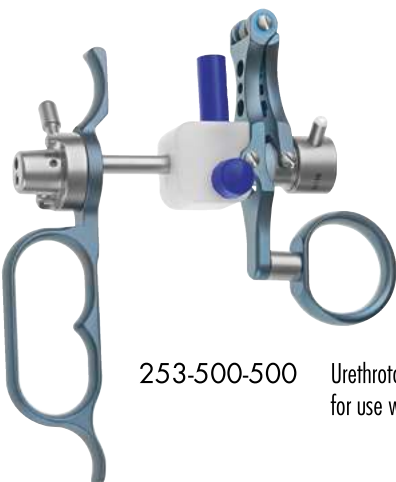
253-829-000 RZ Cystoscope, Ø 2.9mm, 0° direction of view



253-500-115 15.5 Charr. Urethrotome Sheath with lateral channel for guide wires and other accessories



253-500-315 Obturator for use with 253-500-115



253-500-500 Urethrotome Working Element for use with RZ Cystoscope, Ø 2.9mm, 0°



253-500-125 Urethrotome Bridge 15.5 Charr., with 5 Charr. working channel, for Ø 2.9mm endoscopes

1 Guide Stem Urethrotome knives, for use without HF



253-500-581

Sachse knife, straight, 15 Charr.



253-500-582

Sickle knife, retrograde, 15 Charr.



253-500-101 Urethrotome only



253-500-102 Knife only

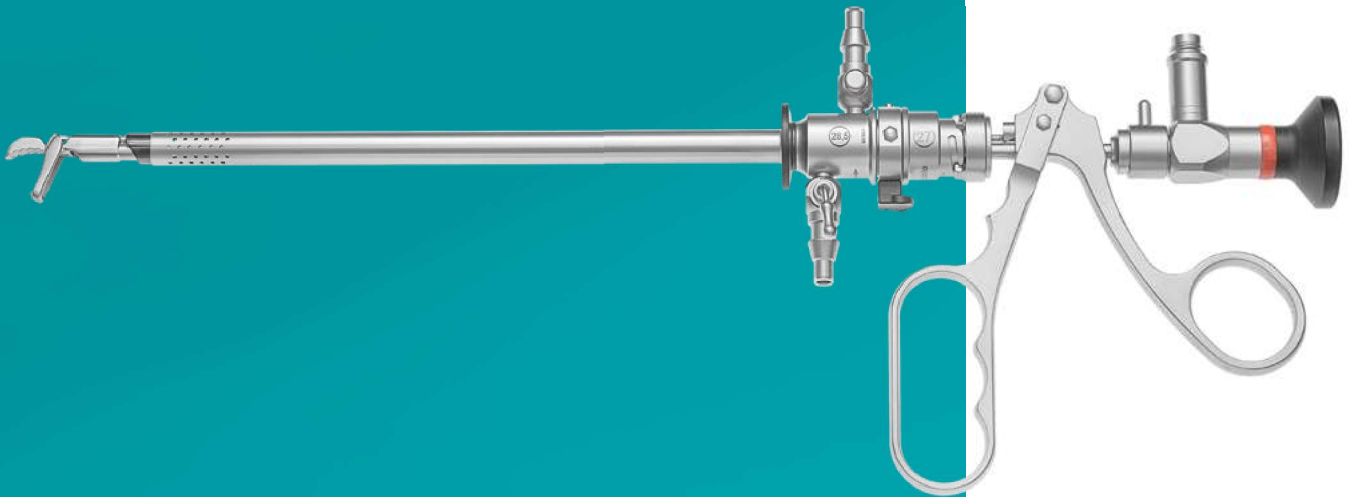


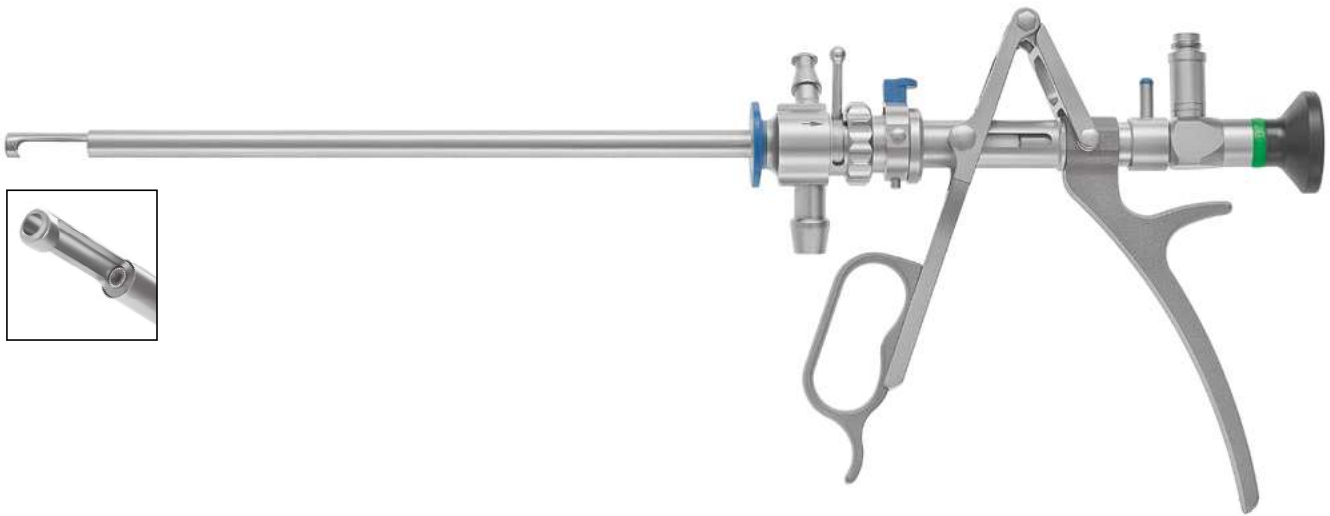
253-500-108 Set with 3 atraumatic tips



KEITZER Urethrotome,
 253-500-104 complete
 253-500-105 Urethrotome only
 253-500-106 Knife only, pointed
 253-500-116 Knife only, blunt

LITHOTRIPSY

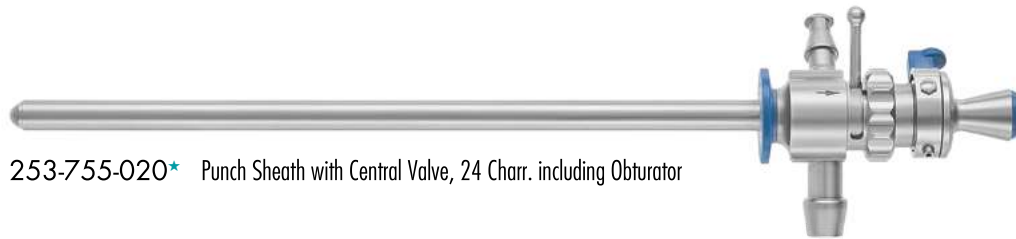




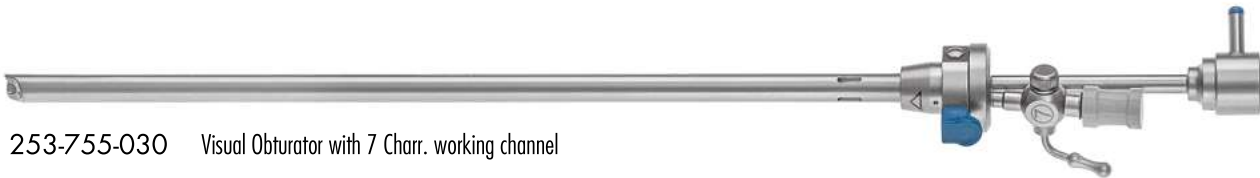
253-804-000* Cystoscope, 0°, Ø 4mm, autoclavable



253-755-020* Punch Sheath with Central Valve, 24 Charr. including Obturator



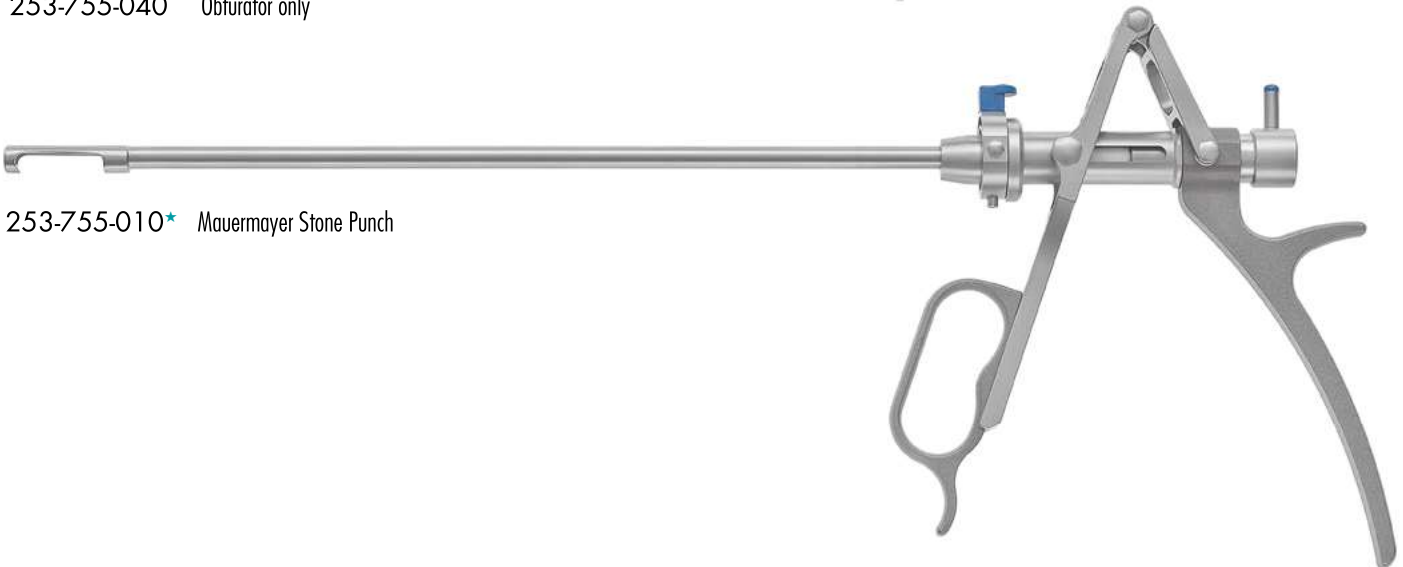
253-755-030 Visual Obturator with 7 Charr. working channel

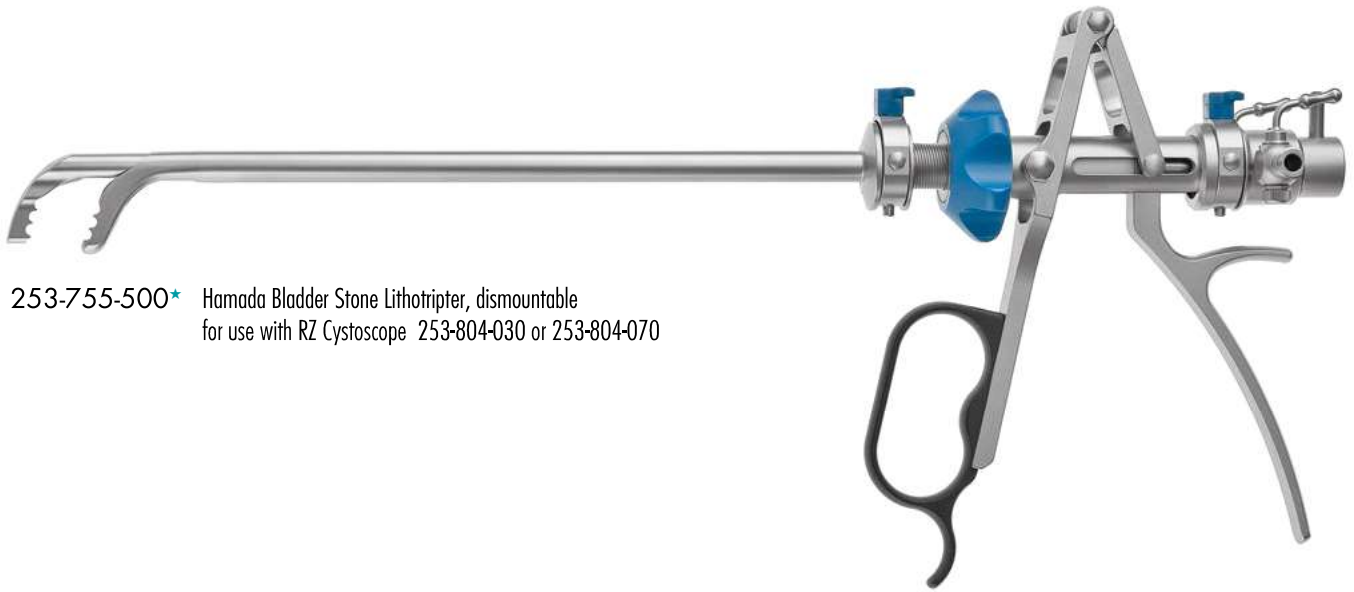


253-755-040 Obturator only



253-755-010* Mauermayer Stone Punch





253-755-500* Hamada Bladder Stone Lithotripter, dismantable
for use with RZ Cystoscope 253-804-030 or 253-804-070

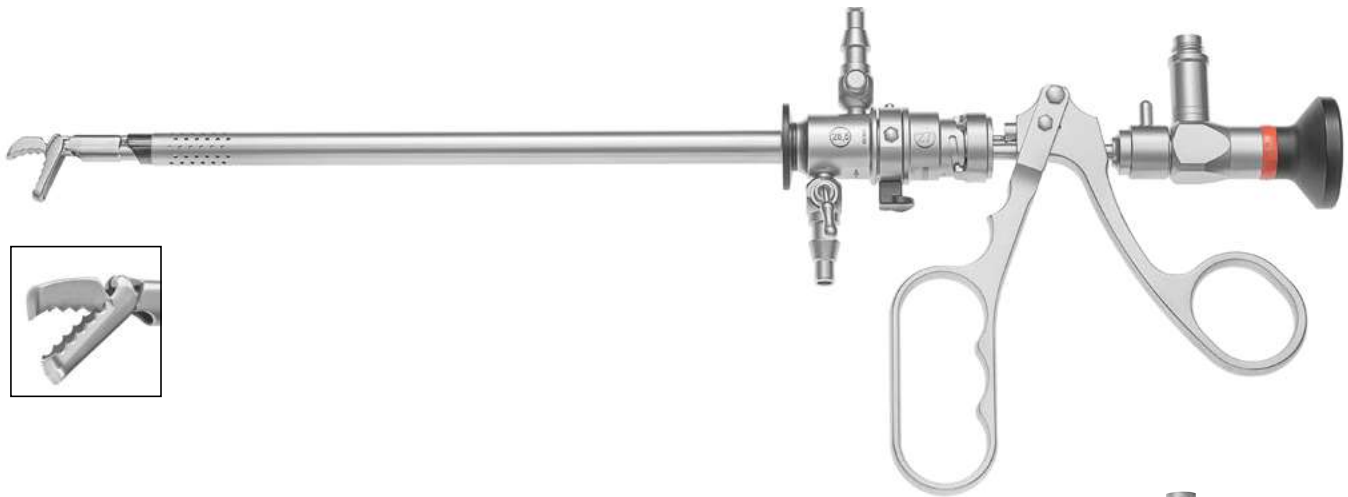


Comparison:
field of view

- 1 with 30° Endoscope
- 2 with 70° Endoscope

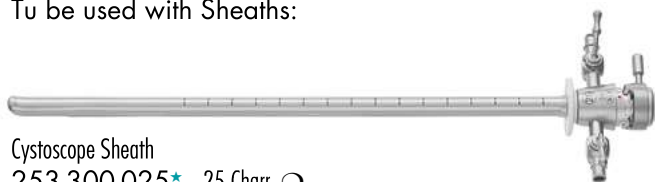


Dismountable

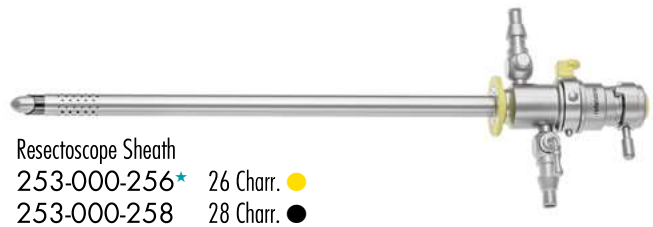


253-804-030 Cystoscope, autoclavable, Ø 4.0mm, 30° direction of view

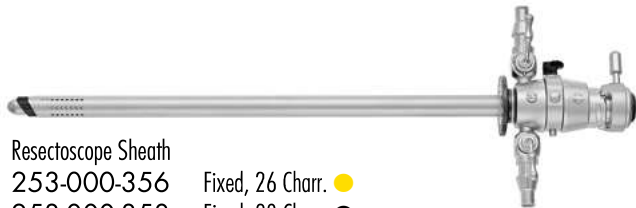
To be used with Sheaths:



Cystoscope Sheath
253-300-025* 25 Charr. ○



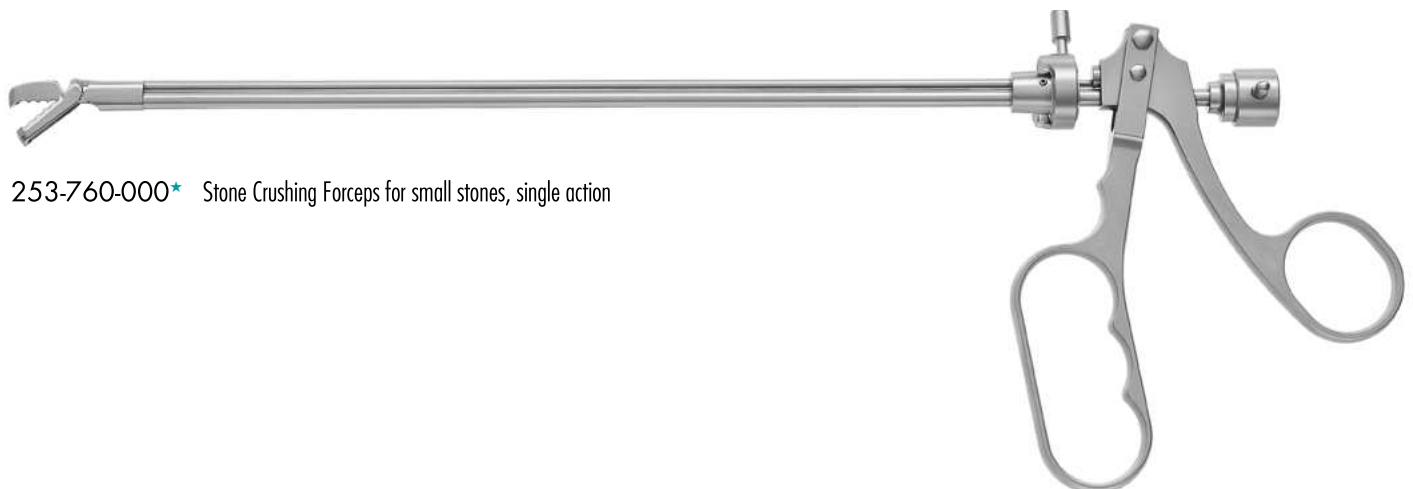
Resectoscope Sheath
253-000-256* 26 Charr. ●
253-000-258 28 Charr. ●



Resectoscope Sheath
253-000-356 Fixed, 26 Charr. ●
253-000-358 Fixed, 28 Charr. ●



253-430-100* Adapter for use with Outer Resectoscope Sheaths

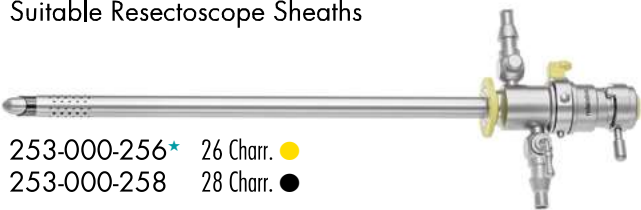


253-760-000* Stone Crushing Forceps for small stones, single action

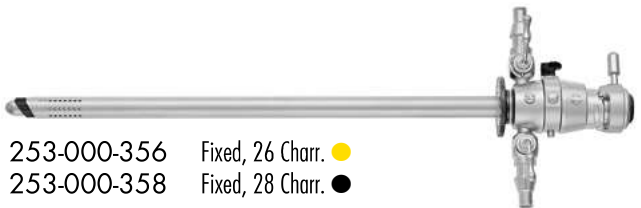


253-804-030 Cystoscope, autoclavable, Ø 4.0mm, 30° direction of view

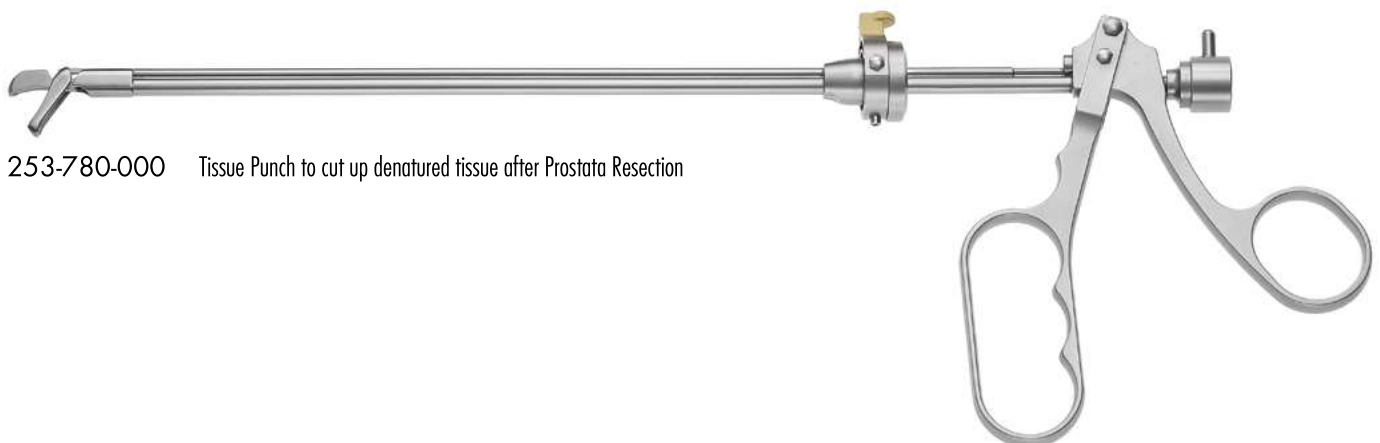
Suitable Resectoscope Sheaths



253-000-256* 26 Charr. ●
253-000-258 28 Charr. ●



253-000-356 Fixed, 26 Charr. ●
253-000-358 Fixed, 28 Charr. ●



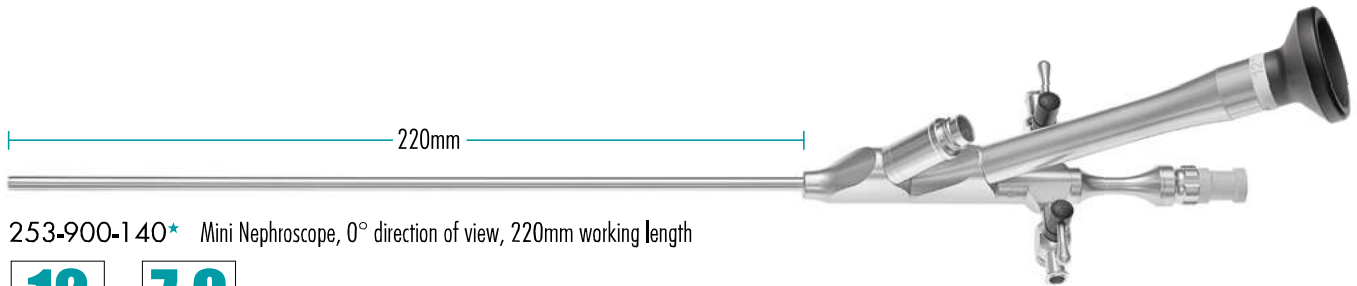
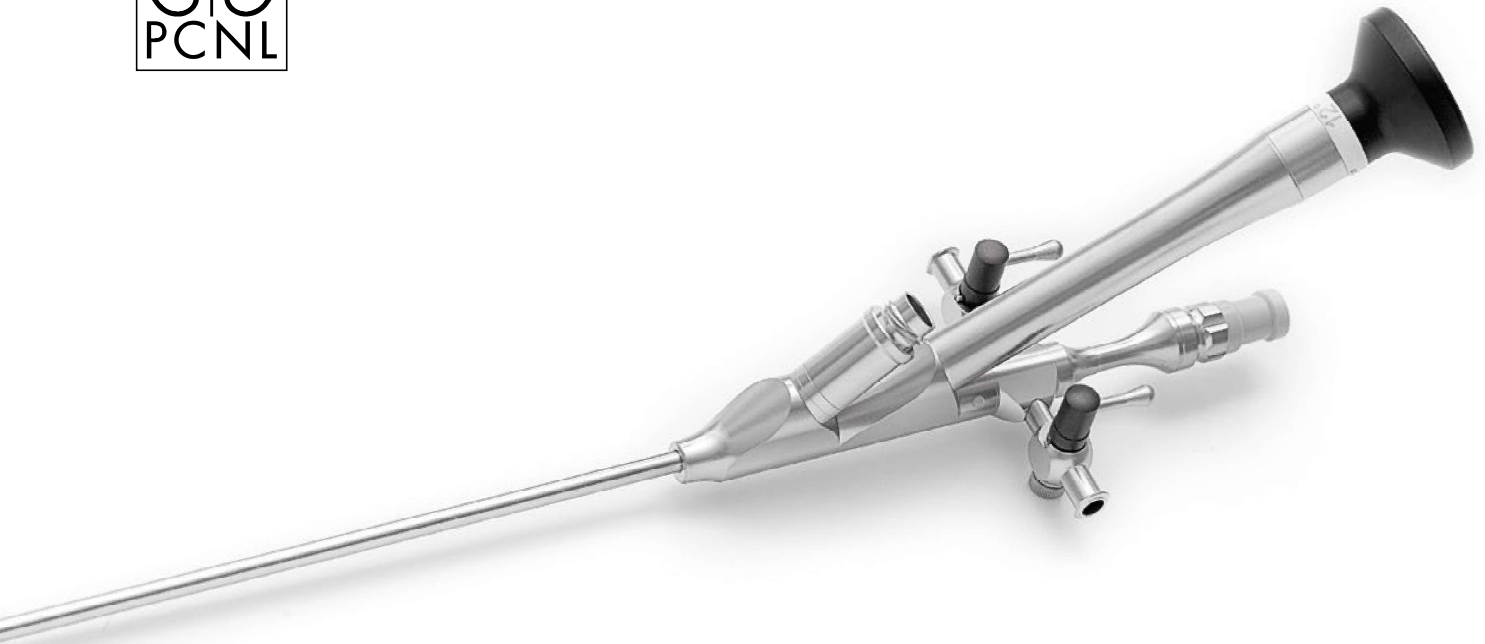
253-780-000 Tissue Punch to cut up denatured tissue after Prostata Resection

NEPHROSCOPY





12 Charr. MINI NEPHROSCOPE



253-900-140* Mini Nephroscope, 0° direction of view, 220mm working length

12
CHARR.

Ø SHAFT

7.0
CHARR.

WORKING
CHANNEL*

* for use with instruments up to 5 Charr.



253-905-400
Silicone Valve,
package with 5 pieces



253-900-010
Silicone Valve, package with 10 pieces,
for use with very delicate instruments
from 0.5 – 1.6mm diameter.



OPERATING SHEATHS for use with RZ Mini Nephroscope

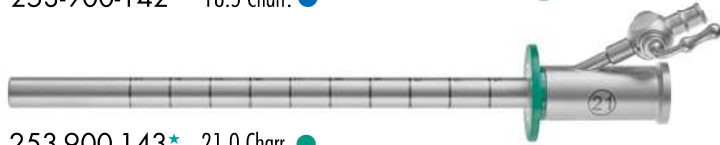
Mini PCNL Sheaths with valve



253-900-141* 15.0 Charr. ●



253-900-142* 16.5 Charr. ●



253-900-143* 21.0 Charr. ●

Long Mini PCNL Sheaths



253-900-171 15.0 Charr.



253-900-175 16.5 Charr.



253-900-173 21.0 Charr.

One-Step Dilators with 1 central guide wire channel



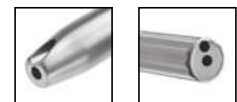
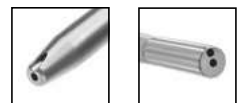
253-900-146* for 253-900-141 + 253-900-171



253-900-147* for 253-900-142 + 253-900-175, with 1 eccentric guide wire channel



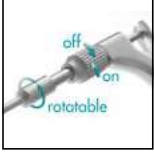
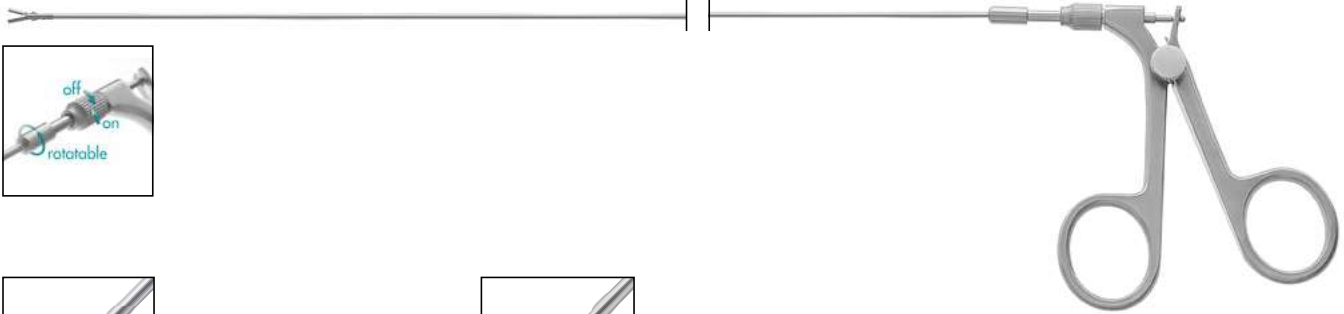
253-900-148* for 253-900-143 + 253-900-173, with 1 eccentric guide wire channel



253-900-145* 2-piece Sealing Adapter with sheath and obturator for use with 253-900-141

RZ NEPHROSCOPY INSTRUMENTS

semi-rigid, 5 Charr.



Stone Grasping Forceps,
double action jaws, retrograde serration
253-950-455* 450mm working length



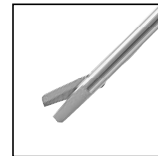
Stone Grasping Forceps
for large stones, double action jaws, 1 x 1 teeth
253-952-455* 450mm working length



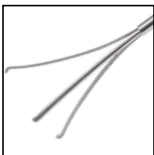
Hamada Long Stone Grasping Forceps,
double action jaws, fine serrated
253-954-455 450mm working length



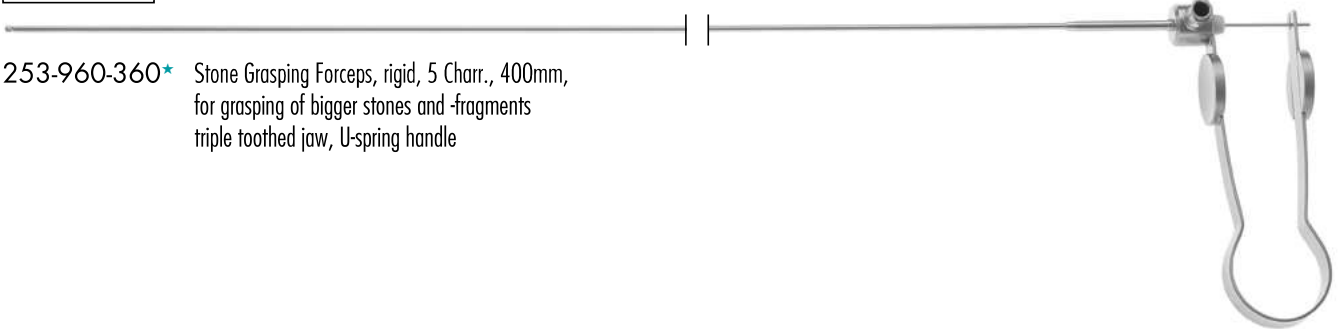
Biopsy Forceps,
double action jaws
253-956-455* 450mm working length



Scissors,
single action jaws
253-958-455 450mm working length



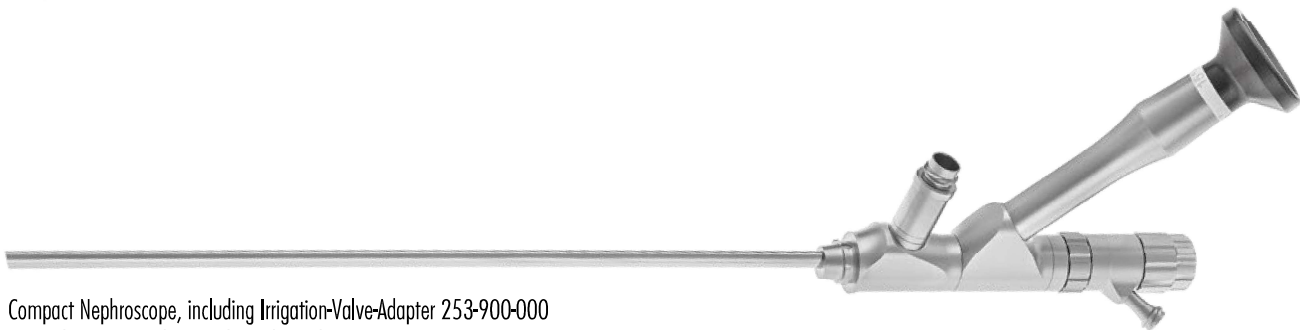
253-960-360* Stone Grasping Forceps, rigid, 5 Charr., 400mm,
for grasping of bigger stones and -fragments
triple toothed jaw, U-spring handle



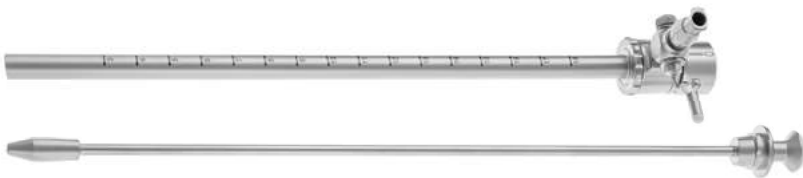
253-900-200 Sterile disposable Guide wire, J-tip, flexible, 150cm length



RZ COMPACT NEPHROSCOPE 220mm working length



Compact Nephroscope, including Irrigation-Valve-Adapter 253-900-000
18.8 Charr., 12.9 Charr working channel
253-900-815 15°
253-900-830 30°

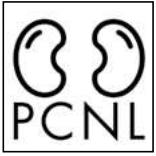


Suitable Shaft, with obturator, 23 Charr., 220mm working length
253-900-888



253-900-000
Irrigation-Valve-Adapter

Percutane Nephroscopy, 190mm length



RZ Nephroscope, oblique view, with 2 Luer-Lock stopcocks and detachable instrument stopcock
 253-900-100 6° direction of view
 253-900-150 15° direction of view



253-900-105 Stopcock, only for use with RZ Nephrosopes

RZ Nephroscope, parallel view, with 2 Luer-Lock stopcocks and detachable instrument stopcock
 253-900-101 6° direction of view
 253-900-151 15° direction of view



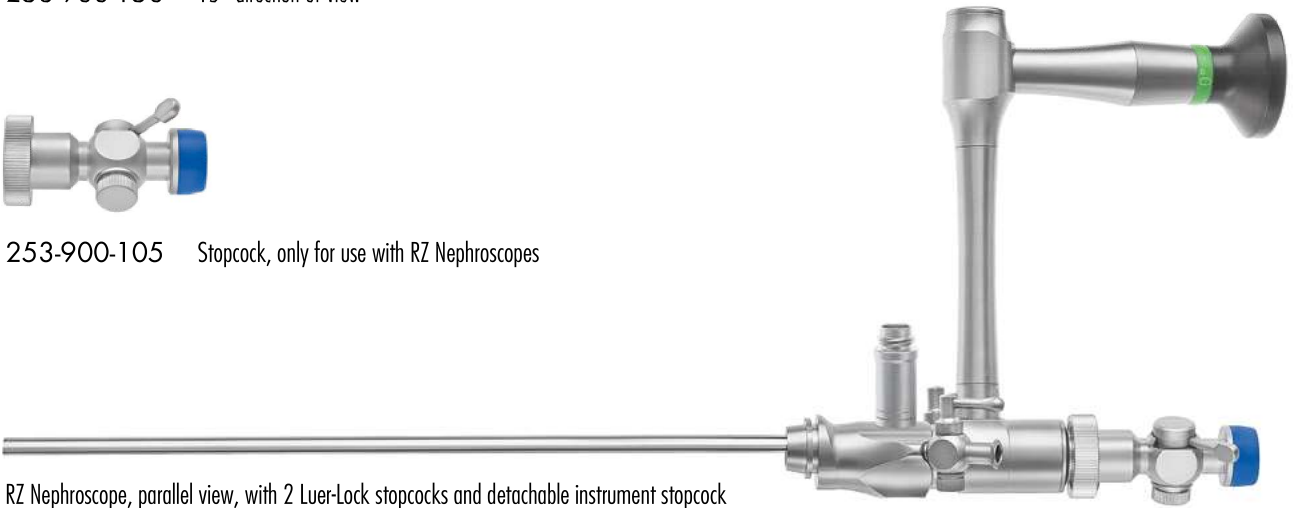
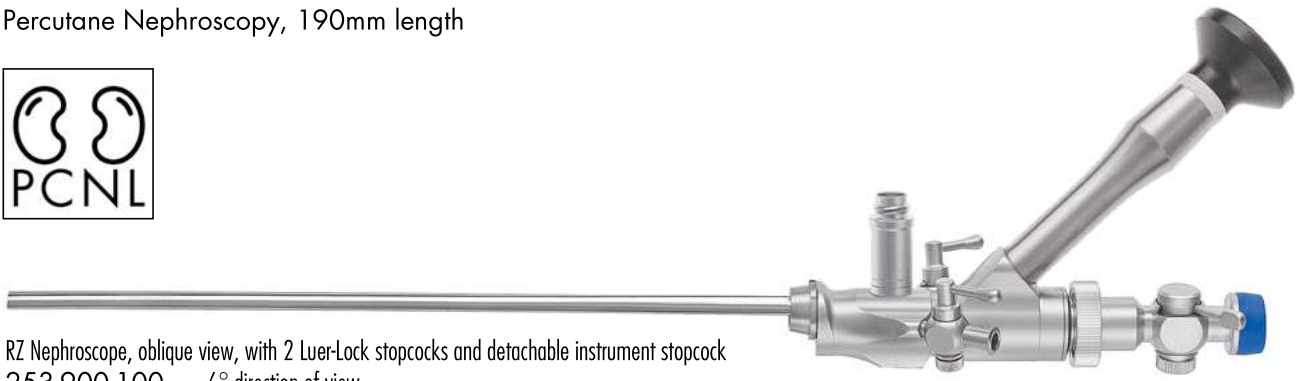
Operating Sheath

- 1** 253-900-110* 26 Charr.
- 2** 253-900-111 24 Charr.

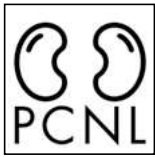


Hollow Obturator

- 1** 253-900-115* 26 Charr.
- 2** 253-900-116 24 Charr.



Percutane Nephroscopy, 250mm length



RZ Nephroscope, oblique view, with 2 Luer-Lock stopcocks and detachable instrument stopcock, 250mm working length

- 253-900-120 6° direction of view
- 253-900-160 15° direction of view



253-900-105 Stopcock, only for use with RZ Nephrosopes (including: 253-900-100 and 253-900-101)

Nephroscope Scope, oval instrument channel, parallel eye piece, 250mm working length

- 253-900-121 6° direction of view
- 253-900-161 15° direction of view



Operating Sheath

- 1** 253-900-130* 26 Charr.
- 2** 253-900-131 24 Charr.



Hollow Obturator

- 1** 253-900-135* 26 Charr.
- 2** 253-900-136 24 Charr.





253-900-155* Amplatz Metal Dilator set containing 6 Dilators (9, 12, 15, 18, 21, 24 Charr.)
2 flexible and 2 rigid guide rods for use with guide wires



Amplatz Metal Dilator
253-900-156* 27 Charr.
253-900-157* 30 Charr.



253-900-201* Puncture Cannula with inner and outer cannula

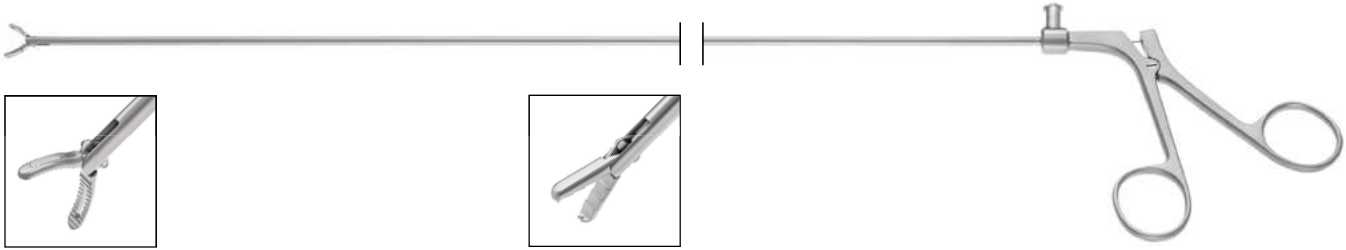


253-900-202* Dilation Cannula, 3mm \varnothing with inner and outer cannula



253-900-200 Sterile disposable Guide wire, J-tip, flexible, 150cm length





Stone Grasping forceps with fenestrated jaws,
double action, with flushing port
253-900-210* 360mm working length
253-900-250* 430mm working length



Stone Grasping forceps with coarse serrated jaws,
double action
253-900-212* 360mm working length
253-900-252* 430mm working length

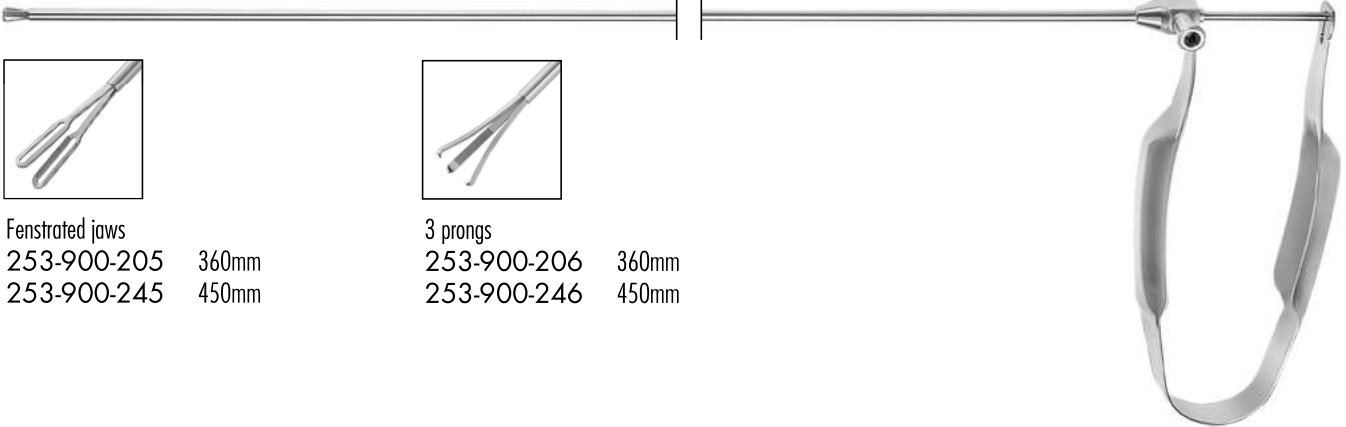


Biopsy forceps with sharp cup,
single action
253-900-211 360mm working length
253-900-251 430mm working length



Scissors, sharp tip,
single action
253-900-213 360mm working length
253-900-253 430mm working length

Stone Grasping Forceps with spring handle and finger platform
Ø 4mm, Luer-Lock connection

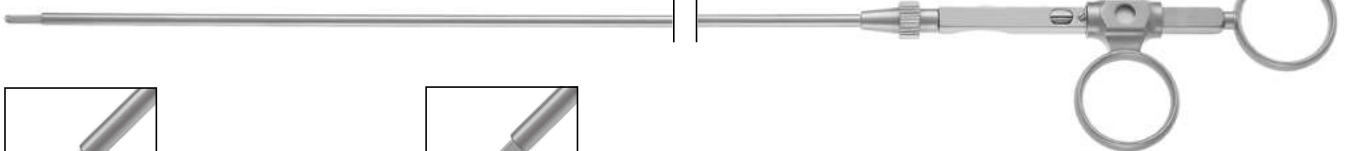


Fenestrated jaws
253-900-205 360mm
253-900-245 450mm



3 prongs
253-900-206 360mm
253-900-246 450mm

Knives, with three-ring-handle, 10.5Charr., 360mm length



253-900-238
Straight Knife



253-900-239
Sickle Knife

URETERO-RENOSCOPY



RZ URETERO-RENSCOPIES

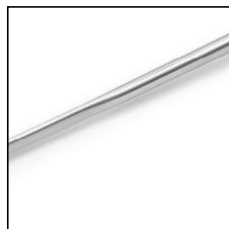
- FullHD 50.000 pixel fiber system
- Semi-flexible shaft
- Silicone valve system with 2 parallel sealings
- Large working channels
- Irrigation/suction channels



New sealing system



Atraumatic tip design



Tapered shaft



90° stopcocks



5° direction of view
65° field of view

ADVANCED SEMI-RIGID URETERO-RENOSCOPES

standard LINE

253-905-540* 425mm
253-905-530 310mm

7.5
CHARR.

DISTAL TIP

9.0
CHARR.

DISTAL

13
CHARR.

PROXIMAL

5.8
CHARR.

WORKING CHANNEL*

* for use with instruments up to 5 Charr.

slim LINE

253-910-540* 425mm
253-910-530 310mm

6.0
CHARR.

DISTAL TIP

7.5
CHARR.

DISTAL

10.5
CHARR.

PROXIMAL

5.0
CHARR.

WORKING CHANNEL*

* for use with instruments up to 4 Charr.

superslim LINE

253-915-540* 425mm
253-915-530 310mm

5.0
CHARR.

DISTAL TIP

6.5
CHARR.

DISTAL

8.0
CHARR.

PROXIMAL

4.0
CHARR.

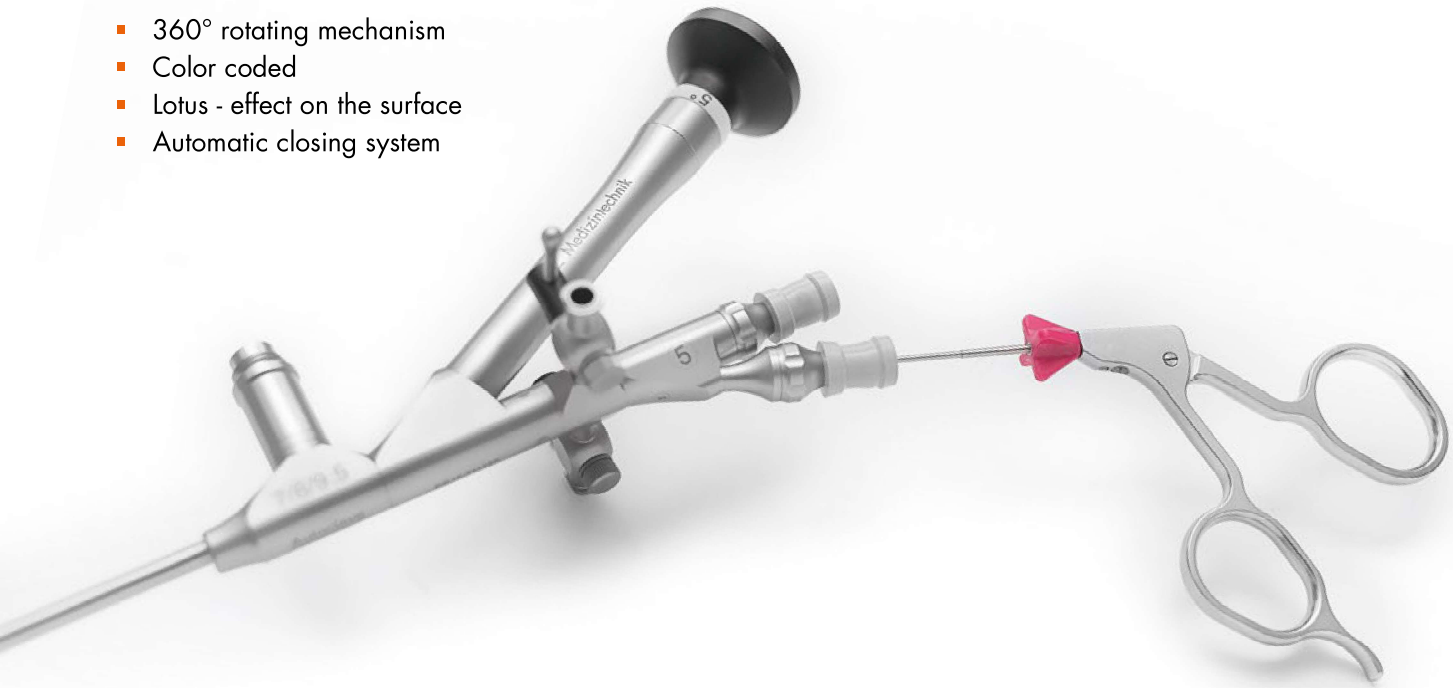
WORKING CHANNEL*

* for use with instruments up to 3 Charr.



5 / 4 Charr. INSTRUMENTS

- 360° rotating mechanism
- Color coded
- Lotus - effect on the surface
- Automatic closing system



Stone Grasping Forceps,
double action jaws ●

253-950-005*	5 Charr, rigid
253-950-004*	4 Charr, rigid
253-951-005	5 Charr, flexible
253-951-004	4 Charr, flexible



Stone Grasping Forceps for large stones,
double action jaws ●

253-952-005*	5 Charr, rigid
253-952-004*	4 Charr, rigid
253-953-005	5 Charr, flexible
253-953-004	4 Charr, flexible



HAMADA long Stone Grasping Forceps,
ouble action jaws ●

253-954-005*	5 Charr, rigid
253-954-004*	4 Charr, rigid
253-955-005	5 Charr, flexible
253-955-004	4 Charr, flexible



Biopsy Forceps,
double action jaws ●

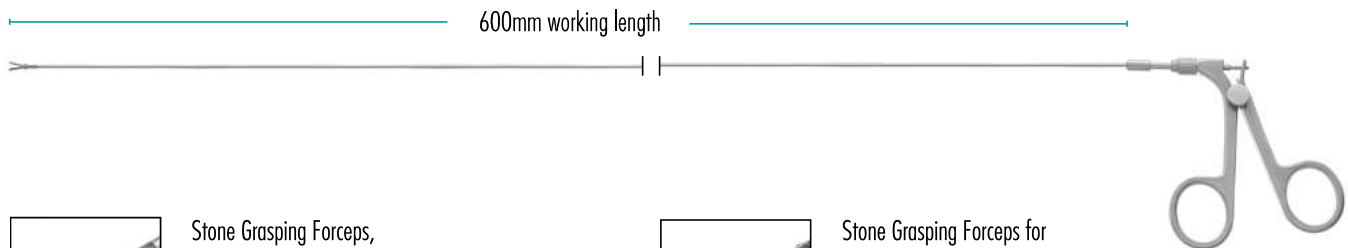
253-956-005*	5 Charr, rigid
253-956-004*	4 Charr, rigid
253-957-005	5 Charr, flexible
253-957-004	4 Charr, flexible



Scissors,
single action ●

253-958-005*	5 Charr, rigid
253-958-004*	4 Charr, rigid
253-959-005	5 Charr, flexible
253-957-004	4 Charr, flexible

3 Charr. INSTRUMENTS



Stone Grasping Forceps,
double action jaws
253-950-003 rigid
253-951-003 flexible



Stone Grasping Forceps for
large stones, double action jaws
253-952-003 rigid
253-953-003 flexible



HAMADA long Stone Grasping
Forceps, double action jaws
253-954-003 rigid
253-955-003 flexible



Biopsy Forceps,
double action jaws
253-956-003 rigid
253-957-003 flexible



Scissors,
single action
253-958-003 rigid
253-959-003 flexible

FLEXIBLE INSTRUMENTS



253-960-025 Stone Basket, 2.5 Charr., sterile, single use, package of 5 pieces



253-962-003 Brush for Cytology, 3.0 Charr., for single use, package of 5 pieces



253-940-005 3-Prongs Grasper, flexible, 600mm working length, 5 Charr.



253-585-005 Dormia Metal Stone Basket, flexible, 4 wires, 600mm working length, 5 Charr.

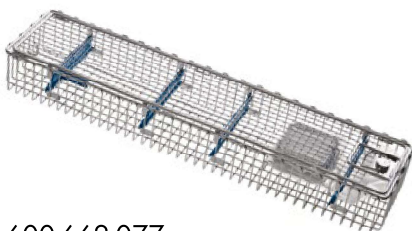
Accessories



253-905-400
Silicone Valve,
package with 5 pieces



253-900-010
Silicone Valve, package with 10 pieces,
for use with very delicate instruments
from 0.5 – 1.6mm diameter.



600-662-077
Endoscopic wire basket for URS
640 x 150 x 77mm



253-905-000
Container for URS with silicone inserts
640 x 140 x 60mm