

ArthFLOW® SHEATH SYSTEM

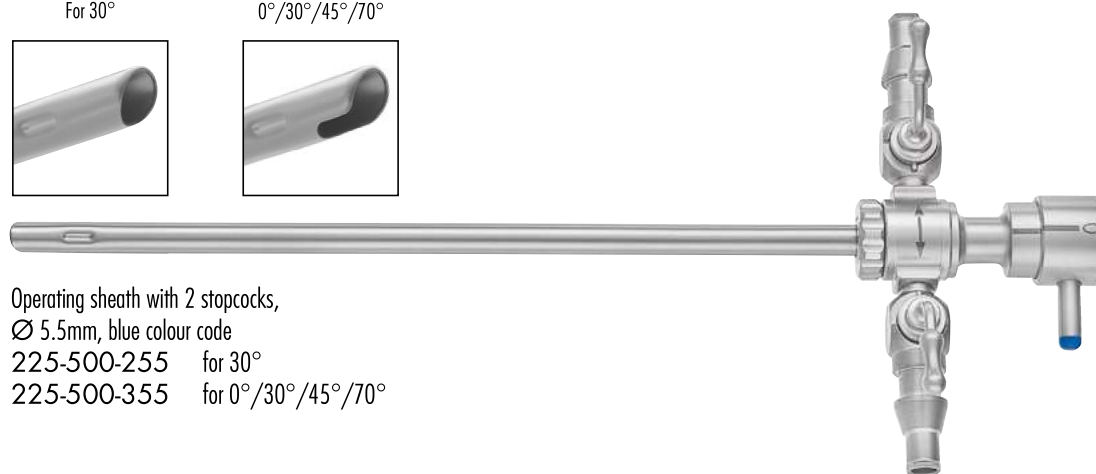
Color coded, 360° rotating system with telescope stabilizing, for use with Ø 4.0mm telescopes.



For 30°



Universal
0°/30°/45°/70°



Operating sheath with 2 stopcocks,
Ø 5.5mm, blue colour code

225-500-255 for 30°

225-500-355 for 0°/30°/45°/70°



225-500-555 Blunt Obturator for Operating sheath Ø 5.5mm, blue colour code



225-500-655 Sharp Trocar for Operating sheath Ø 5.5mm, blue colour code

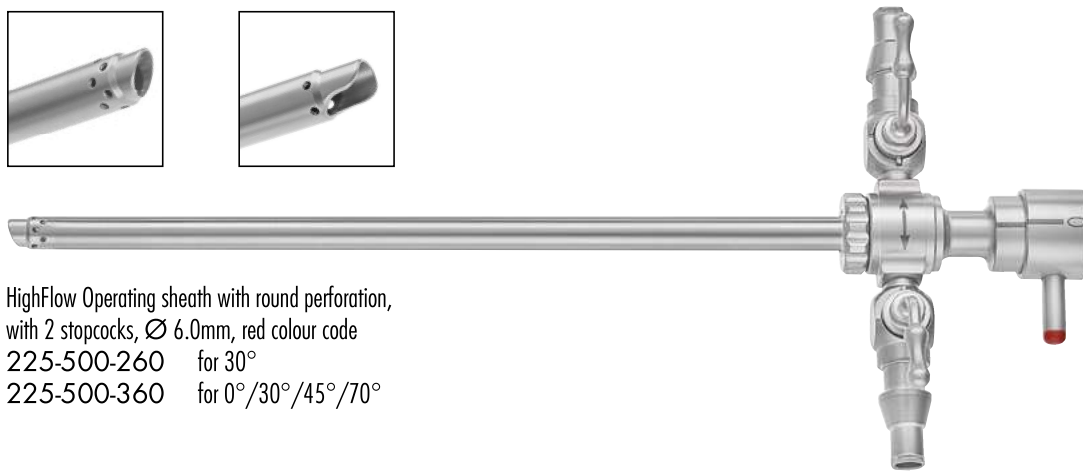
For 30°



Universal
0°/30°/45°/70°



HighFlow Operating sheath with round perforation,
with 2 stopcocks, Ø 6.0mm, red colour code
225-500-260 for 30°
225-500-360 for 0°/30°/45°/70°



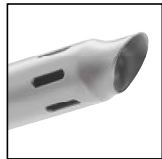
225-500-560 Blunt Obturator for HighFlow Operating sheath, Ø 6.0mm
red colour code



225-500-660 Sharp Trocar for HighFlow Operating sheath, Ø 6.0mm,
red colour code



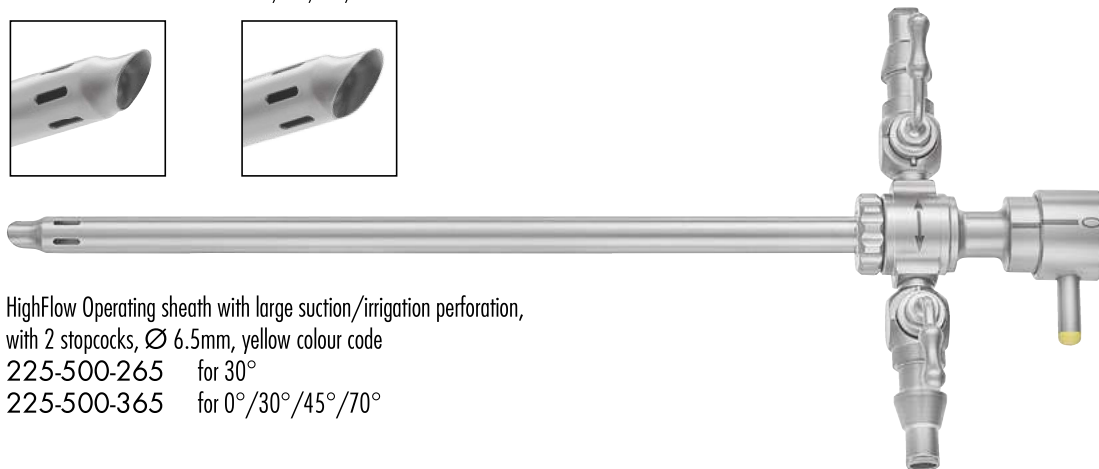
For 30°



Universal
0°/30°/45°/70°



HighFlow Operating sheath with large suction/irrigation perforation,
with 2 stopcocks, Ø 6.5mm, yellow colour code
225-500-265 for 30°
225-500-365 for 0°/30°/45°/70°



225-500-565 Blunt Obturator for HighFlow Operating sheath, Ø 6.5mm,
yellow colour code



225-500-665 Sharp Trocar for HighFlow Operating sheath, Ø 6.5mm,
yellow colour code



ArthFLOW® SHEATH SYSTEM WITH QUICK-LOCK



For 30°



Universal
0°/30°/45°/70°



Quick-lock Telescope
locking

Operating sheath with 2 stopcocks, Ø 5.5mm, blue colour code

225-550-255 for 30°

225-550-355 for 0°/30°/45°/70°



225-500-555 Blunt Obturator for Operating sheath Ø 5.5mm, blue colour code



225-500-655 Sharp Trocar for Operating sheath Ø 5.5mm, blue colour code

For 30°



Universal
0°/30°/45°/70°



HighFlow Operating sheath with round perforation,
with 2 stopcocks, Ø 6.0mm, red colour code
225-550-260 for 30°
225-550-360 for 0°/30°/45°/70°



225-500-560 Blunt Obturator for HighFlow Operating sheath, Ø 6.0mm, red colour code

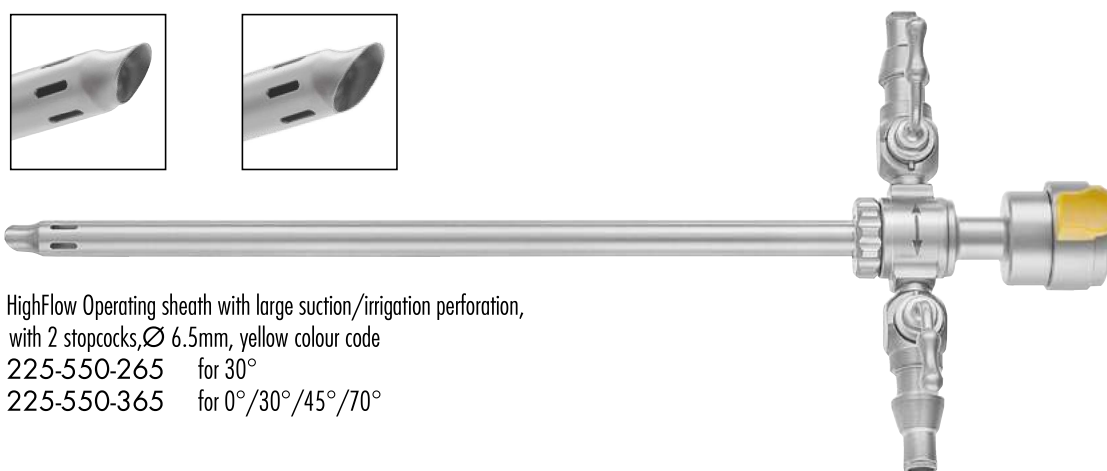


225-500-660 Sharp Trocar for HighFlow Operating sheath, Ø 6.0mm, red colour code

For 30°



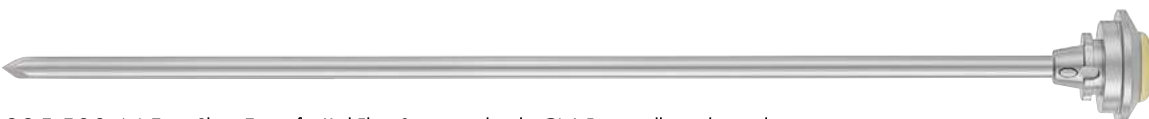
Universal
0°/30°/45°/70°



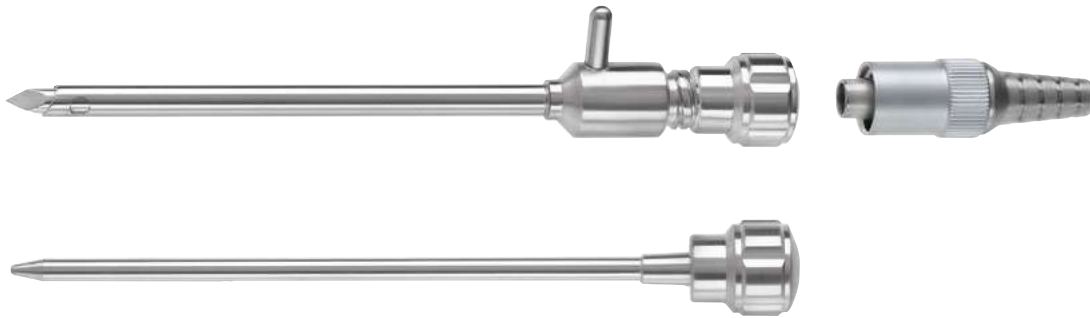
HighFlow Operating sheath with large suction/irrigation perforation,
with 2 stopcocks, Ø 6.5mm, yellow colour code
225-550-265 for 30°
225-550-365 for 0°/30°/45°/70°



225-500-565 Blunt Obturator for HighFlow Operating sheath, Ø 6.5mm, yellow colour code



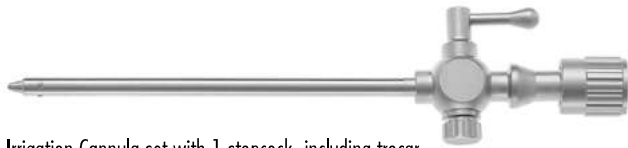
225-500-665 Sharp Trocar for HighFlow Operating sheath, Ø 6.5mm, yellow colour code



225-850-145 Inflow-Cannula 4.5mm, complete set with shaft, trocar with sharp tip, blunt obturator and irrigation adaptor



ACCESSORIES FOR SUCTION- AND IRRIGATION SYSTEM



Irrigation Cannula set with 1 stopcock, including trocar and obturator, 70mm working length
 225-850-000 ∅ 2.3mm
 225-850-001 ∅ 3.5mm



300-011-181
 LuerLock tube connector 9mm



Obturator, blunt, 70mm working length
 225-850-002 ∅ 2.3mm
 225-850-004 ∅ 3.5mm



300-011-506
 LuerLock tube connector 6mm



Obturator, sharp, 70mm working length
 225-850-003 ∅ 2.3mm
 225-850-005 ∅ 3.5mm



225-852-000
 Irrigation syringe, 100ml



Guiding and changing rods for use with trocar sheath
 225-865-027 ∅ 2.7mm x 230mm
 225-865-030 ∅ 3.5mm x 230mm
 225-865-040 ∅ 4.0mm x 230mm