

ArthVANCE® INSTRUMENTS

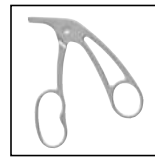
- Large product range
- different jaws, handles and sizes
- Reliability and quality
- Made in Germany



Handle selection



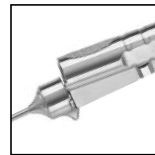
1 RING HANDLE
for all Punches, Rongeurs and
different Graspers



3 PRO HANDLE
special ergonomics for Scissors
and Graspers

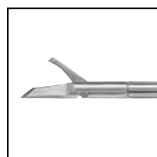


2 RING HANDLE
with Slidlock – safe grip
for Graspers



4 CIGAR HANDLE
available for Scissors and rotatable
Punches

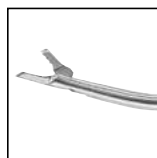
Shape selection



STRAIGHT
straight tip and shaft for direct access



CURVED UP
instrument tip allows extended access to
posterior meniscus



ANGLED UP
follows the shape of the condylar process
to maintain a parallel cutting surface to the
tibial plateau



**LEFT & RIGHT
CURVED AT THE SHAFT**
to reach the anterior and posterior meniscus



Note:
all Instruments could be ordered without
LuerLock optionally.

ARTHROSCOPY

Knee



Traditional Duckbill Low profile jaw



DUCKBILL BASKET PUNCH

Multi-Purpose, low profile punches with a square bite and 3 different sizes

Small Duckbill (S)



2.5mm

Medium Duckbill (M)*



3.2mm

Large Duckbill (L)



4.5mm



RING HANDLE



PRO HANDLE

Straight (S)
Straight (M)
Straight (L)

225-800-101
225-800-102*
225-800-103

225-700-102

UpBiter (S)
UpBiter (M)
UpBiter (L)

225-800-104
225-800-105*
225-800-106

225-700-105

Upbiter (M) Left
Upbiter (M) Right

225-800-107
225-800-109

225-700-107
225-700-109

UpSwept (M)

225-800-111

*most common pattern

ARTHROSCOPY

Knee



Advanced Duckling Low profile jaw
Flat Upper jaw moves completely into the Lower jaw.

DUCKLING BASKET PUNCH

Multi-Purpose, low profile punches with a square bite and 2 different sizes.

Small Duckbill (S)



2.5mm

Medium Duckbill (M)*



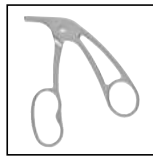
3.5mm



Medium Duckbill (M)



RING HANDLE



PRO HANDLE

Straight (S)

225-800-401

Straight (M)

225-800-402*

225-700-402

UpBiter (S)

225-800-404

UpBiter (M)

225-800-405*

225-700-405

UpSwept (M)

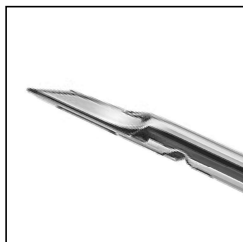
225-800-411

Straight (M) Left

225-800-413

Straight (M) Right

225-800-415



Duckling Elevator -
with flat shovel for easy access



RING HANDLE



PRO HANDLE

Straight

225-800-420

225-700-420



ARTHROSCOPY

Knee



4.4mm

OVAL PUNCH

The Oval Punch offers the lowest profile and the largest bite size for end-on as well as lateral cutting – the All-rounder Punch



RING HANDLE



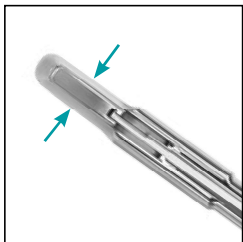
PRO HANDLE

„Halfmoon“ punch



RING HANDLE

Straight	225-800-202	225-700-202	Straight, left	225-800-120
UpBiter	225-800-205	225-700-205	Straight, right	225-800-121
UpSwept	225-800-211		Curved to the right	225-800-122
Straight Left	225-800-213		Curved to the left	225-800-123
Straight Right	225-800-215			



1.7mm

SLIMLINE BASKET PUNCH

The narrow shaft and compact jaw design allows access and use in tight spaces such as the posterior aspect of the knee.



RING HANDLE

Straight	225-800-002			
UpBiter	225-800-005			
UpBiter Left	225-800-007			
UpBiter Right	225-800-009			
UpSwept	225-800-011			
Jaw 45° Left	225-800-003			
Jaw 45° Right	225-800-004			



ARTHROSCOPY

Knee



1.3mm bite

MENISCAL ELEVATOR BASKET PUNCH

The low profile extended lip of the lower jaw helps in placing the lower jaw underneath less-mobile menisci



RING HANDLE

Straight
UpBiter

225-800-902
225-800-905



1.7mm

BLUNT NOSE BASKET PUNCH

The Blunt Nose Basket Punch with square jaws enables a flush contouring of the meniscus



RING HANDLE

Straight

225-800-302



2.2mm

POSTERIOR PUNCH

Specially designed for the specific requirements of the posterior horn of the meniscus. The short and low profile jaw enables the surgeon working in the cramped confines of the posterior side of the knee.



RING HANDLE

Straight

225-800-602

UpBiter

225-800-605

UpSwept

225-800-611

Straight Left
Straight Right

225-800-613
225-800-615





BASKET PUNCHES

Basket Punches are the traditional style instruments with a classical punch shape and the parrot peak upper jaw for a safe capture of tissue



STRAIGHT

1.0mm
1.5mm
2.7mm
3.4mm

RING HANDLE

225-800-802
225-800-060
225-800-040
225-800-050



CURVED LEFT

Cut size 

1.3mm
1.3mm

RING HANDLE

225-800-813
225-800-807 UpBiter



CURVED RIGHT

Cut size 

1.3mm
1.3mm

RING HANDLE

225-800-815
225-800-809 UpBiter



UP BITER

Cut size 

1.3mm
1.5mm

RING HANDLE

225-800-805
225-800-055



DOWN BITER

Cut size 

1.3mm

RING HANDLE

225-800-806



UP SWEPT

Cut size 

1.3mm
1.5mm

RING HANDLE

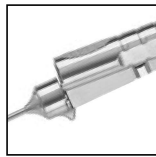
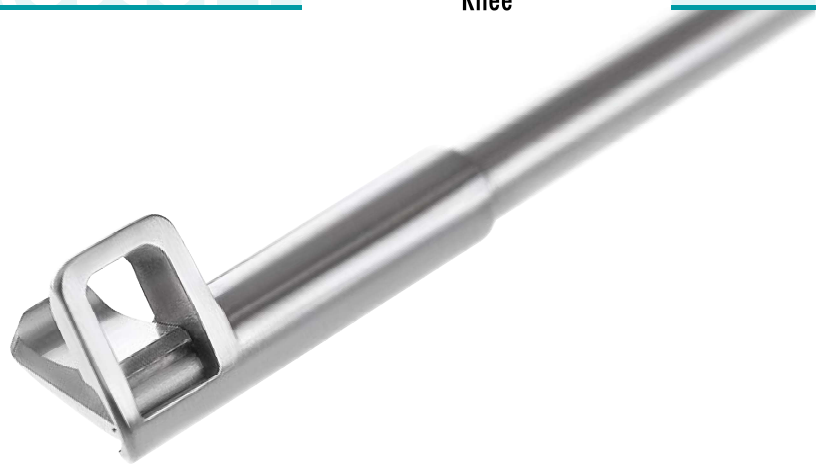
225-800-865
225-800-061





SIDE CUTTER

Left and Right Side Cutter Punches allow easy access to anterior meniscal tears. The special designed Pencil handle makes all Side Cutters „Rotator“ Punches.



PENCIL HANDLE



2.2mm Left
2.2mm Right

225-800-955
225-800-957

3.4mm Left
3.4mm Right

225-800-965
225-800-967

■ 2.2mm

■ 3.4mm



RING HANDLE



2.2mm Left
2.2mm Right

225-770-955
225-770-957

3.4mm Left
3.4mm Right

225-770-965
225-770-967

ARTHROSCOPY

Knee



2mm

BACKBITER

The RZ Backbiter Basket Punches enable an simple access to the anterior horn of the meniscus

Left
Right



RING HANDLE

225-800-707
225-800-709



PRO HANDLE

225-700-707
225-700-709



RING HANDLE

225-800-708

Straight



RONGEUR

Sharp Cups enable the surgeon to remove tissue and take biopsies

Straight



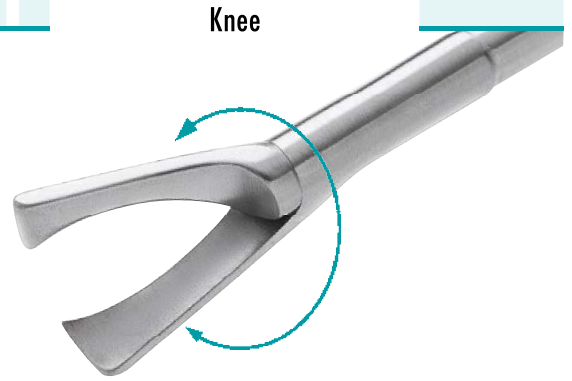
RING HANDLE

225-800-920



ARTHROSCOPY

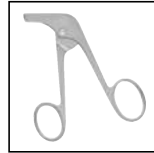
RZ offers a wide range of **ARTHVANCE**® scissors and scissor punches in different angles to enable the surgeon to effectively dissect any part of the meniscus from virtually any direction.



HOOK SCISSORS



PENCIL HANDLE

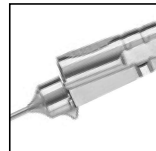


RING HANDLE

20° angled Left
20° angled Right

225-800-507
225-800-509

225-770-507
225-770-509



PENCIL HANDLE

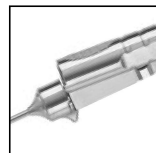
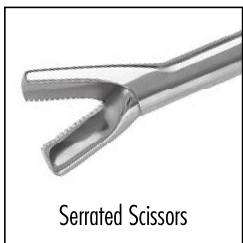


RING HANDLE

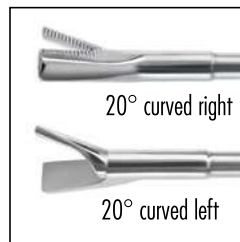
60° angled Left
60° angled Right

225-800-517
225-800-519

225-770-517
225-770-519



PENCIL HANDLE



Left curved 20°
Right curved 20°

225-800-527
225-800-529

ARTHROSCOPY

Knee



1mm

SCISSORS PUNCH



RING HANDLE



PRO HANDLE

Straight
UpBiter
UpBiter Left
UpBiter Right

225-800-532
225-800-535
225-800-537
225-800-539

225-700-532
225-700-535



HOOK SCISSORS



RING HANDLE

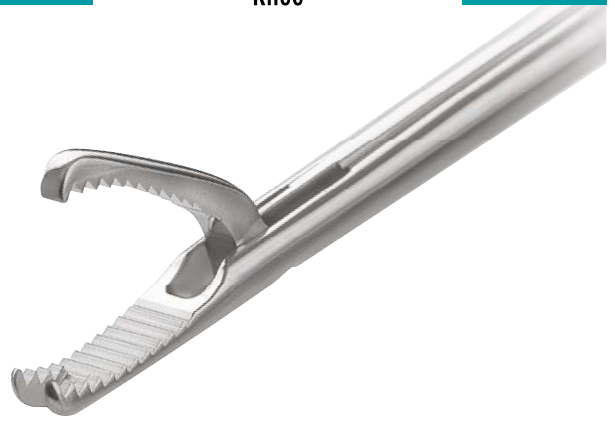
Straight
Left
Right

225-800-472
225-800-477
225-800-479

ARTHROSCOPY

Knee

RZ offers a wide selection of specific tip configurations to provide a maximum grasping capability and allow easy access to all areas of the meniscus. All RZ Graspers come with the infinite-position, **SlideLock handle** for easy and intuitive grasping. The **Pro Handle** comes without locking mechanism.



SHARK GRASPER

With blunt 1x2 teeth and serrated inner jaws

Straight



SLIDE LOCK RING HANDLE

225-800-820



PRO HANDLE

225-700-820



ALLIGATOR GRASPER

Short jaw with multiple serrations

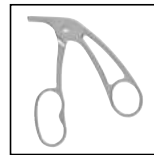
Straight 2.7mm
UpSwept 2.7mm

Upbiter 2.7mm



SLIDE LOCK RING HANDLE

225-800-825
225-800-827



PRO HANDLE

225-700-825
225-700-827



225-800-826

225-700-826

ARTHROSCOPY

Knee



HEAVY ALLIGATOR GRASPER

Long and heavy jaw with multiple serrations

Straight



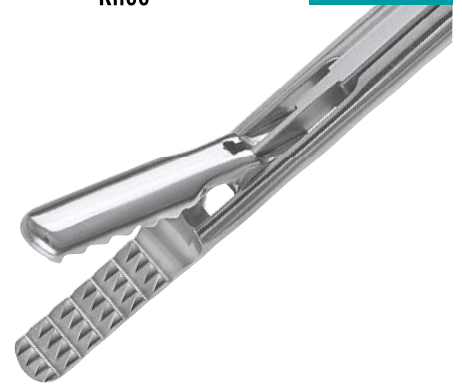
SLIDE LOCK RING HANDLE

225-800-835



PRO HANDLE

225-700-835



CUPPED GRASPER

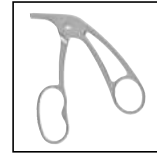
Cupped jaw with atraumatic serrations

3.3mm jaw
2.7mm jaw



SLIDE LOCK RING HANDLE

225-800-833
225-800-832



PRO HANDLE

225-700-833



ATRAUMA GRASPER

Cupped jaw with atraumatic serrations

Non-Cannulated
With guide for K-wires \varnothing 2mm/0.077"



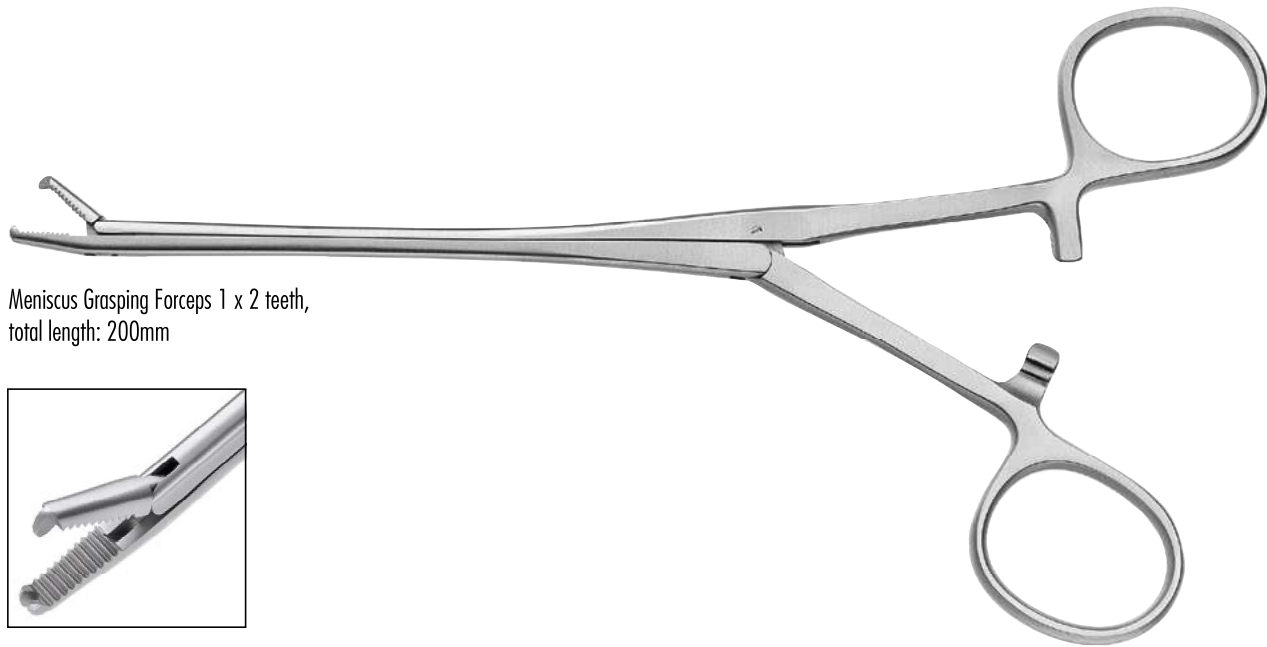
SLIDE LOCK RING HANDLE

225-800-850
225-800-855

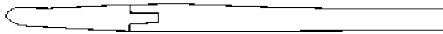


ARTHROSCOPY

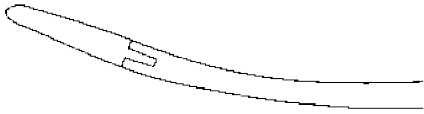
Knee



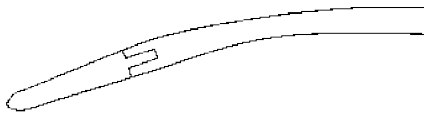
Meniscus Grasping Forceps 1 x 2 teeth,
total length: 200mm



225-360-000
straight



225-360-002
curved Right



225-360-001
curved Left



225-360-500

Schlesinger Meniscus Grasping Forceps, serrated jaws
with 1 x 2 teeth, straight, 13cm, with ratchet

225-360-550

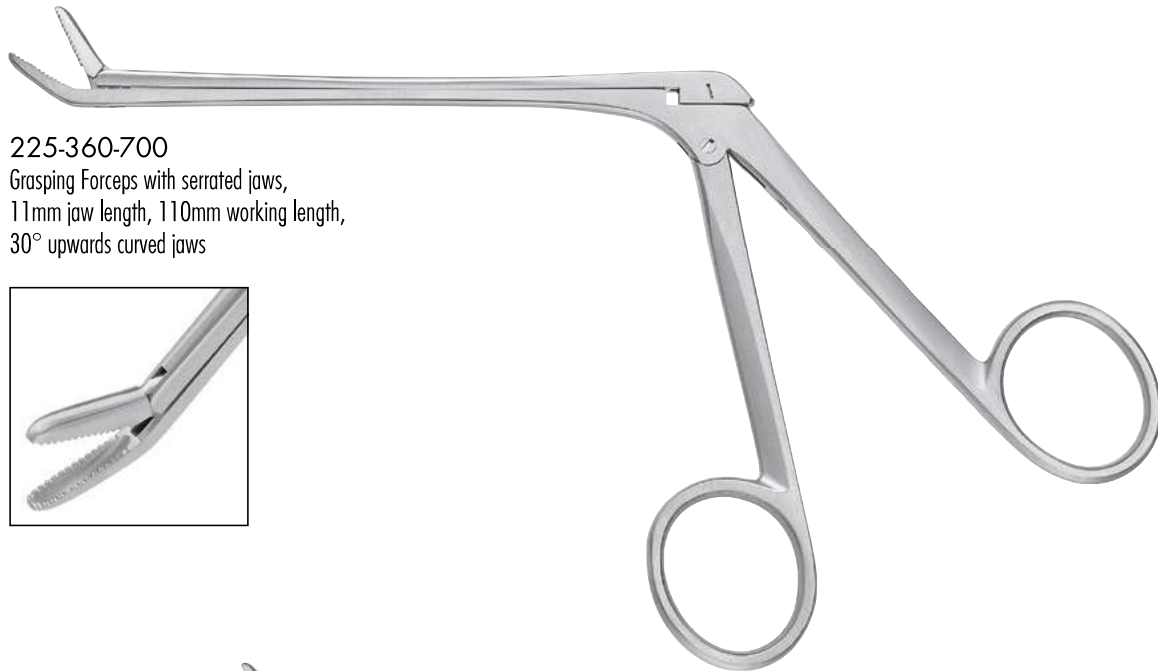
without ratchet



225-360-600

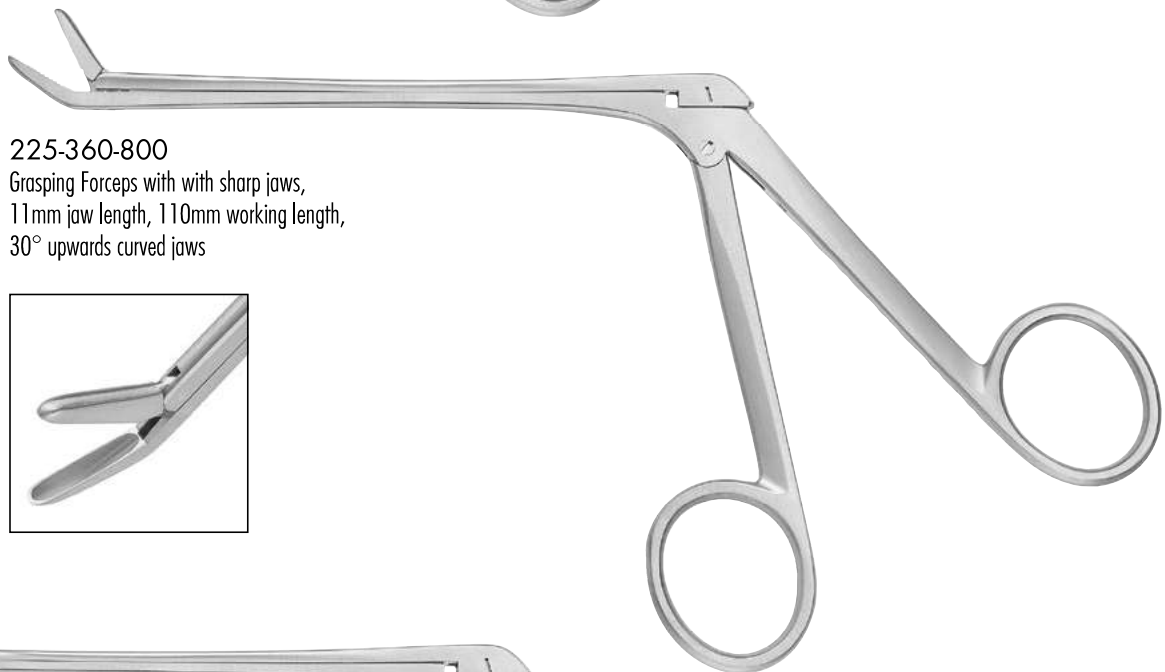
Schlesinger Meniscus Grasping Forceps,
serrated jaws, straight, 13cm, with ratchet





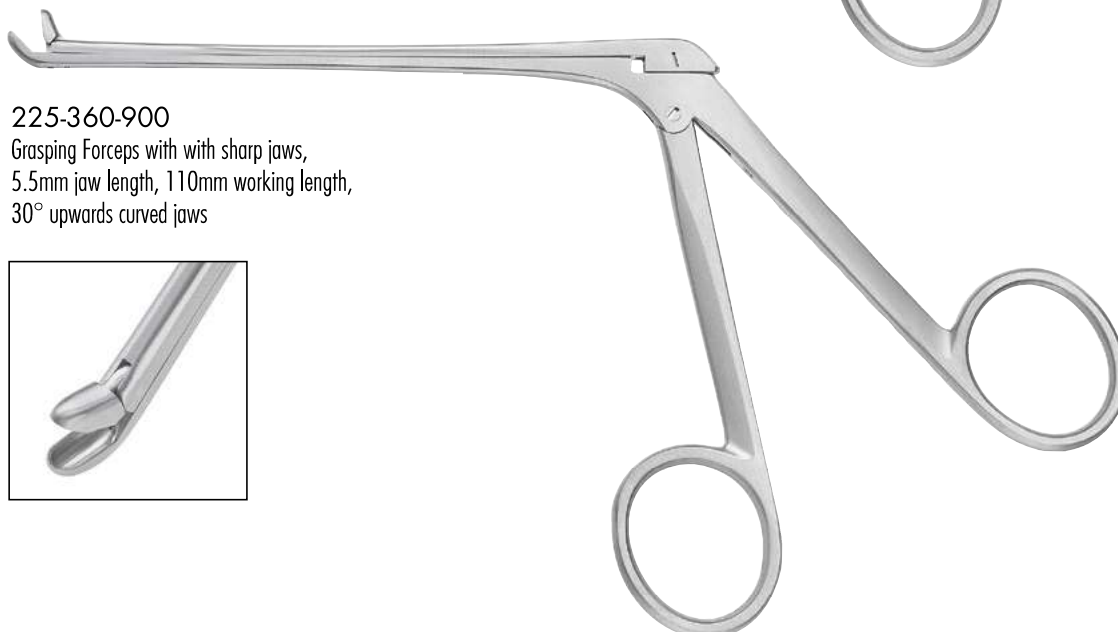
225-360-700

Grasping Forceps with serrated jaws,
11mm jaw length, 110mm working length,
30° upwards curved jaws



225-360-800

Grasping Forceps with sharp jaws,
11mm jaw length, 110mm working length,
30° upwards curved jaws



225-360-900

Grasping Forceps with sharp jaws,
5.5mm jaw length, 110mm working length,
30° upwards curved jaws



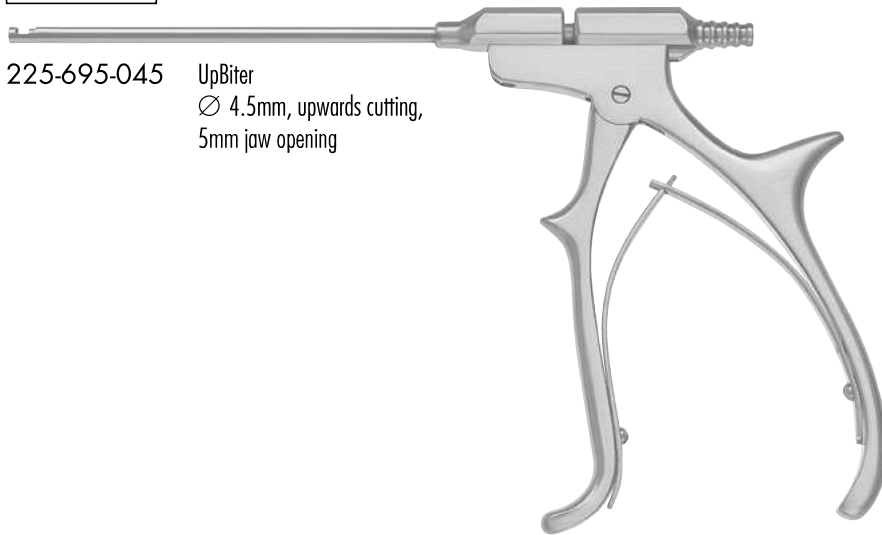
ArthVANCE® SUCTION PUNCHES

with universal tube connector, 110mm working length



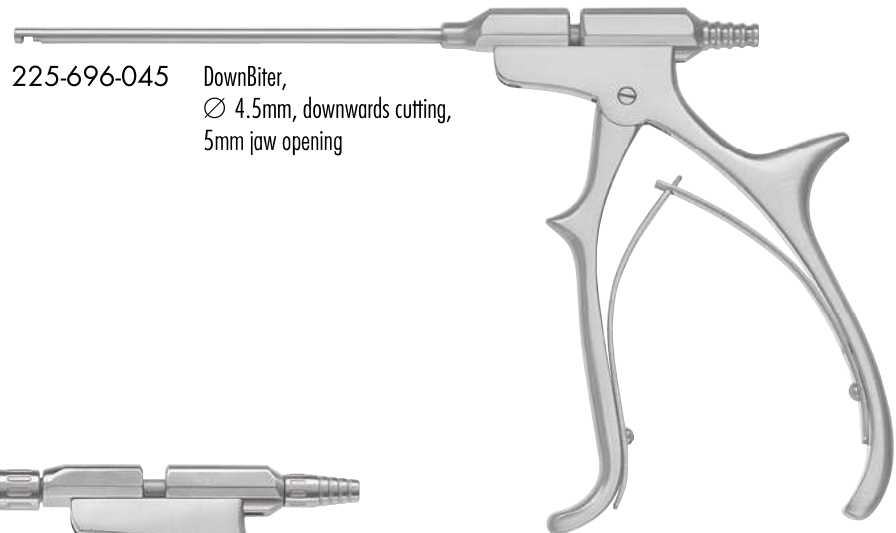
225-695-045

UpBiter
Ø 4.5mm, upwards cutting,
5mm jaw opening



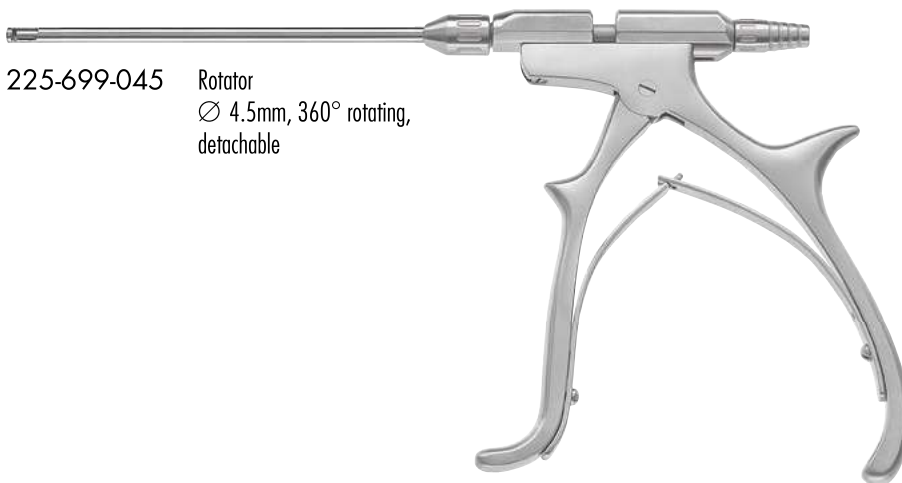
225-696-045

DownBiter,
Ø 4.5mm, downwards cutting,
5mm jaw opening



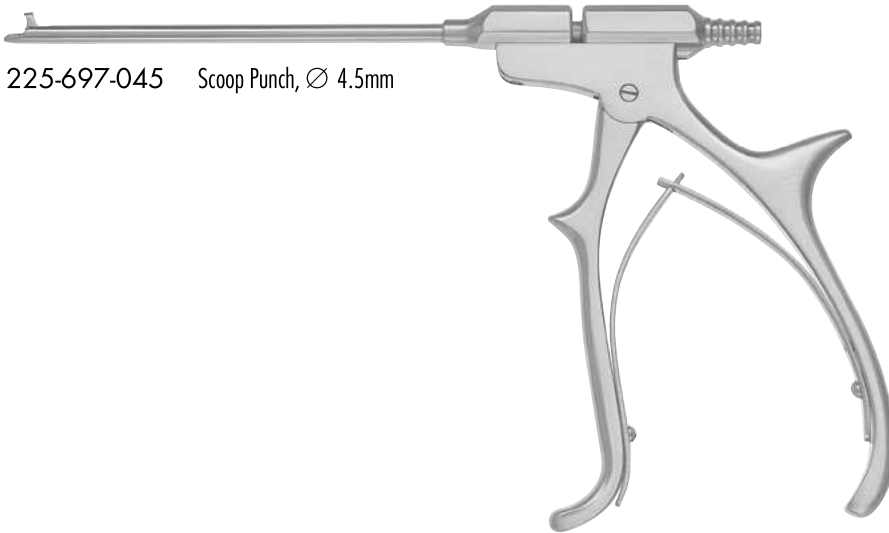
225-699-045

Rotator
Ø 4.5mm, 360° rotating,
detachable

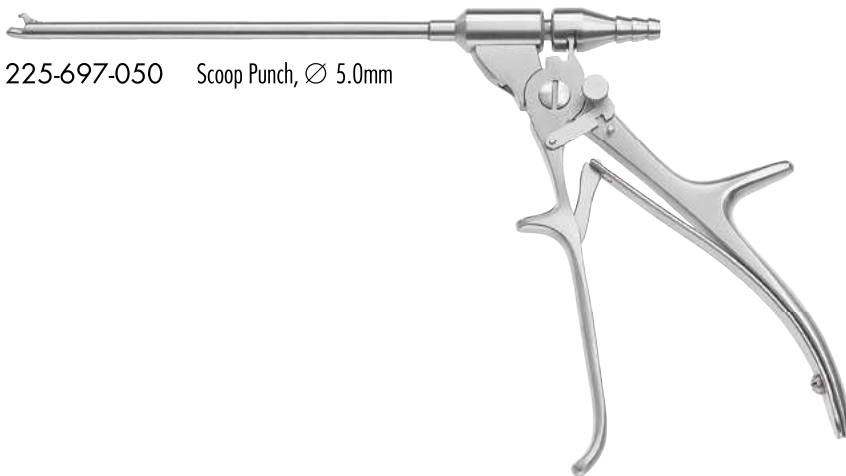




225-697-045 Scoop Punch, \varnothing 4.5mm



225-697-050 Scoop Punch, \varnothing 5.0mm



PUNCHES & SCISSORS



Parrot Beak Tear



Transverse Tear



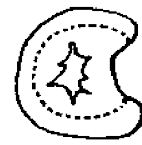
Flap Tear



Bucket Handle Tear



Complex Tear



Discoid Meniscus Degenerative Tear

	PAGE	PAGE	PAGE	PAGE	PAGE	PAGE
POSTERIOR	Slimline Punch	14	Slimline Punch	14	Slimline Punch	14
	Duckling	13	Duckling	13	Duckling	13
	Scissors Punch	20	Scissors Punch	20	Basket Punch UpBiter 1.3mm	20
	Oval Punch	14	Oval Punch	14	Hook Scissors 60°	14
PARS INTERMEDIA	Duckling	13	Duckling	13	Duckling	13
	Basket Punch 1.5mm	16	Basket Punch 1.5mm	16	Oval Punch	14
	Basket Punch 1.3mm	16	Basket Punch 1.3mm	16	Basket Punch 1.3mm	16
	Punch 1.0 mm	16	Punch 1.0 mm	16	Basket Punch 2.7mm	16
	Basket Punch 2.7mm	16	Scissors Punch	16	Duckling UpSwept	13
	Basket Punch 3.4mm	16	Oval Punch	14	Scissors Punch Upbiter	20
	Oval Punch	14	Meniscal Elevator	15	Meniscal Elevator	15
ANTERIOR	Side Cutter 90°	17	Side Cutter 90°	17	Side Cutter 90°	17
	Hook Scissors 60°	19	Hook Scissors 60°	19	Hook Scissors 60°	19
	Duckbill Left up	12	Duckbill Left up	12	Duckbill Left up	12
	Duckbill Right up	12	Duckbill Right up	12	Duckbill Right up	12
	Backbiter	18	Scissors 20°	19	Backbiter	18
	Oval Punch	16	Backbiter	18	Oval Punch	14
			Oval Punch	14		

GRASPING FORCEPS

	PAGE	PAGE	PAGE	PAGE	PAGE	PAGE
FOR ALL JOINT PARTS	Shark	21	Cupped, 2.7mm	22	Rongeur	18
			Alligator	21		
			Heavy Alligator	22	Shark	21

Free Joint parts Narrow Joint parts Bucket Handle tear Biopsy Bone block at reconstruction of crutiate ligament Flap tear Small Joint fragemts

BASIC INSTRUMENT SET

		PAGE	
BASIC EQUIPMENT EACH 1 ITEM	225-400-002	Exploring Probe 2.5mm	48
	225-800-105	Duckbill Basket Punch, UpBiter	12
	225-800-205	Oval Punch, UpBiter	14
	225-800-835	Heavy Alligator Grasper, Straight	22
	225-800-405	Duckling Basket Punch, UpBiter	13
	225-800-055	Basket Punch, 1.5mm UpBiter	16
	225-800-820	Shark Grasper, Straight	21
	225-800-707	Backbiter Left	18
EXTENSION	225-697-050	Scoop suction Punch, 5.0mm Ø	27
	225-800-905	Meniscal Elevator Basket Punch, UpBiter	15
	225-800-107	Duckbill Basket Punch, UpBiter Left	12
	225-800-413	Duckling Basket Punch Straight Left	13

Table shows only a basic Instrument set that can be completed or changed with other instruments concerning indication of surgery. Please feel free to ask for combination options.

4.0mm SCOPE AND SHEATH SYSTEM

	Scope	Sheath Trocar blunt Trocar sharp	Sheath QuickLock Trocar blunt Trocar sharp	HighFlow Trocar blunt Trocar sharp	HighFlow QuickLock Trocar blunt Trocar sharp	HighFlow large Trocar blunt Trocar sharp	HighFlow large Quicklock Trocar blunt Trocar sharp
0°	225-140-000	225-500-355 225-500-655 225-500-555	225-550-355 225-500-655 225-500-555	225-500-360 225-500-560 225-500-660	225-550-360 225-500-560 225-500-660	225-500-365 225-500-565 225-500-665	225-550-365 225-500-565 225-500-665
30°	225-140-030	225-500-255 225-500-655 225-500-556	225-550-255 225-500-655 225-500-556	225-500-260 225-500-560 225-500-660	225-550-260 225-500-560 225-500-660	225-500-265 225-500-565 225-500-665	225-550-265 225-500-565 225-500-665
45°	225-140-045	225-500-355 225-500-655 225-500-555	225-550-355 225-500-655 225-500-555	225-500-360 225-500-560 225-500-660	225-550-360 225-500-560 225-500-660	225-500-365 225-500-565 225-500-665	225-550-365 225-500-565 225-500-665
70°	225-140-070	225-500-355 225-500-655 225-500-555	225-550-355 225-500-655 225-500-555	225-500-360 225-500-560 225-500-660	225-550-360 225-500-560 225-500-660	225-500-365 225-500-565 225-500-665	225-550-365 225-500-565 225-500-665