



CLIP APPLYING FORCEPS

Strong, Fast, Flexible

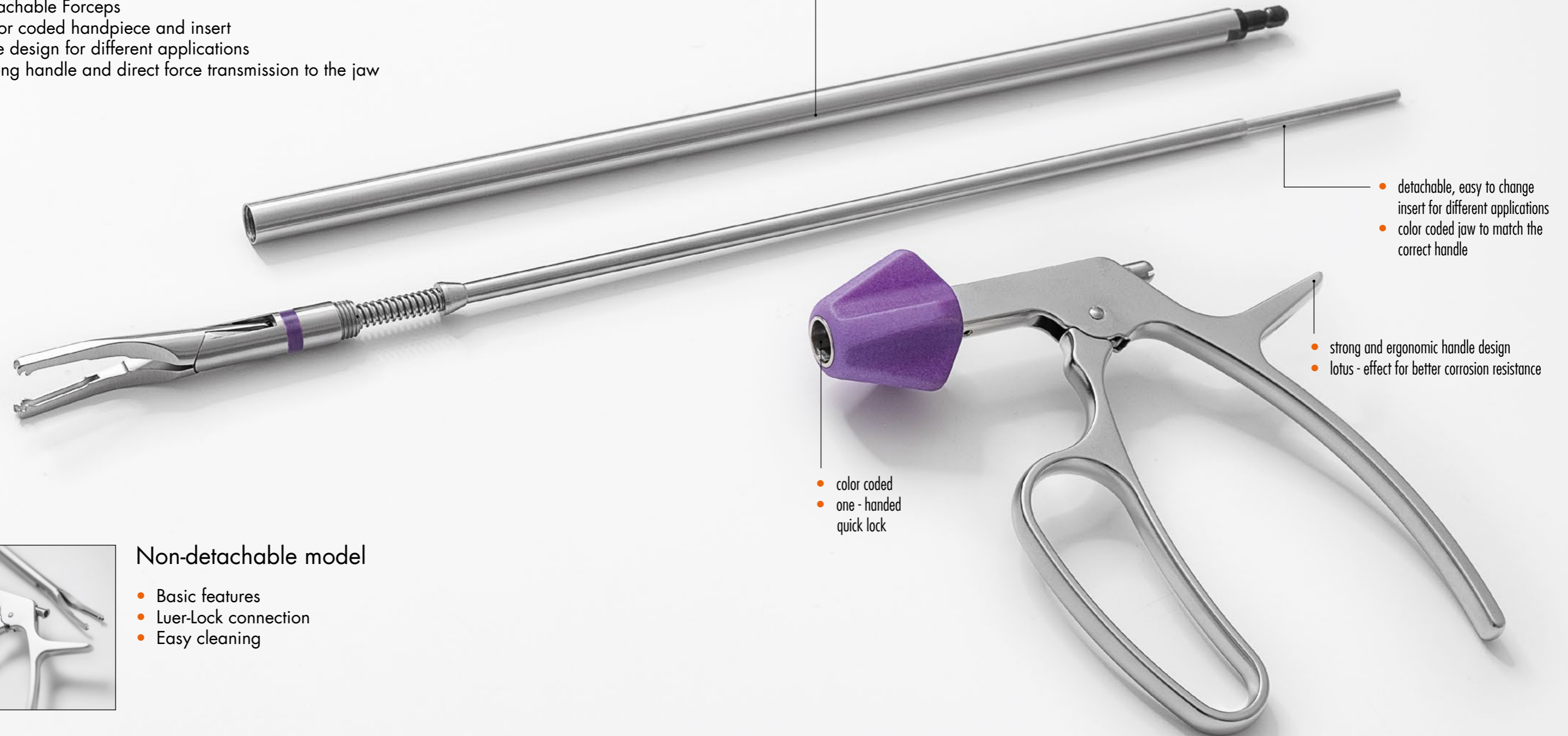


STRONG FAST FLEXIBLE

One design, many opportunities

- Detachable Forceps
- Color coded handpiece and insert
- One design for different applications
- Strong handle and direct force transmission to the jaw

- Ø 10 or 5mm shaft
- completely detachable for easy cleaning



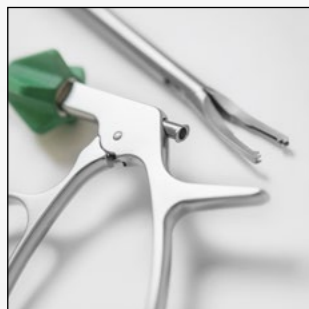
- detachable, easy to change insert for different applications
- color coded jaw to match the correct handle

- strong and ergonomic handle design
- lotus - effect for better corrosion resistance

- color coded
- one - handed quick lock

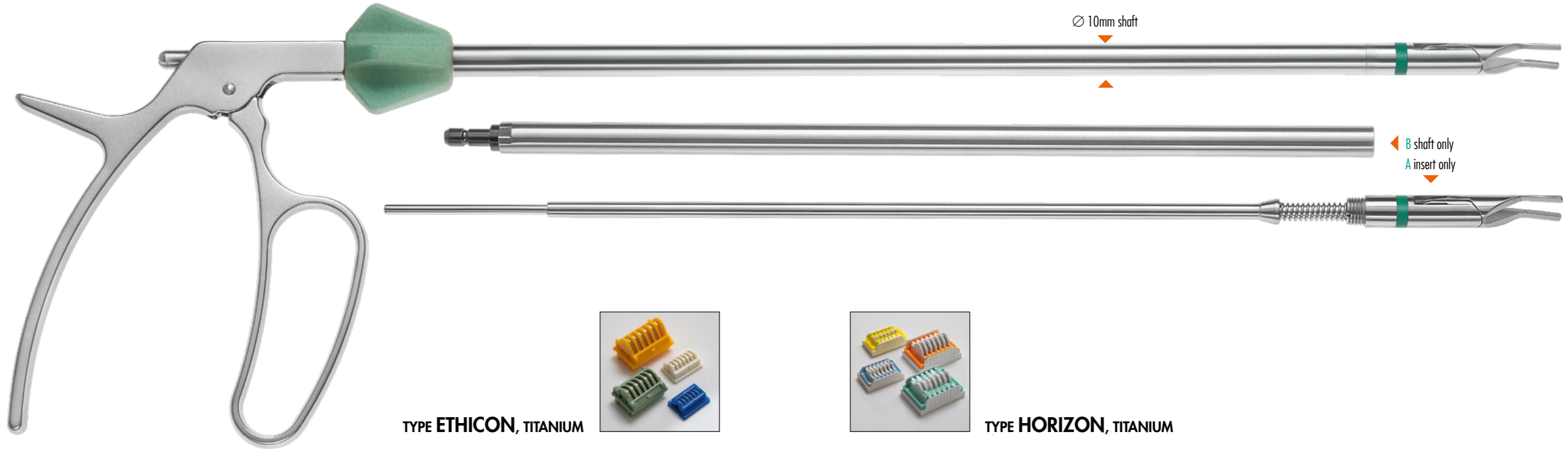
Non-detachable model

- Basic features
- Luer-Lock connection
- Easy cleaning



CLIP APPLYING FORCEPS

ENDOSCOPIC CLIP APPLYING FORCEPS FOR TITAN CLIPS



TYPE ETHICON, TITANIUM



TYPE HORIZON, TITANIUM



Size / color code	detachable, 330mm	A insert only, 330mm	B shaft only
S (blue) ■	300-810-001	300-810-101	300-830-010
M (white) □	300-810-002	300-810-102	300-830-010
M/L (green) ■	300-810-004*	300-810-104	300-830-010
L (yellow) ■	300-810-006*	300-810-106	300-830-010

Size / color code	detachable, 450mm	A insert only, 450mm	B shaft only
S (blue) ■	300-810-401	300-810-501	300-830-410
M (white) □	300-810-402	300-810-502	300-830-410
M/L (green) ■	300-810-404	300-810-504	300-830-410
L (yellow) ■	300-810-406	300-810-506	300-830-410

Size / color code	non-detachable, 330mm	non-detachable, 450mm
S (blue) ■	300-800-001	300-800-401
M (white) □	300-800-002	300-800-402
M/L (green) ■	300-800-004*	300-800-404
L (yellow) ■	300-800-006*	300-800-406

Size / color code	detachable, 330mm	A insert only, 330mm	B shaft only
S (yellow) ■	300-810-011	300-810-111	300-830-010
M (blue) ■	300-810-012	300-810-112	300-830-010
M/L (green) ■	300-810-014	300-810-114	300-830-010
L (orange) ■	300-810-016	300-810-116	300-830-010

Size / color code	detachable, 450mm	A insert only, 450mm	B shaft only
S (yellow) ■	300-810-411	300-810-511	300-830-410
M (blue) ■	300-810-412	300-810-512	300-830-410
M/L (green) ■	300-810-414	300-810-514	300-830-410
L (orange) ■	300-810-416	300-810-516	300-830-410

Size / color code	non-detachable, 330mm	non-detachable, 450mm
S (yellow) ■	300-800-011	300-800-411
M (blue) ■	300-800-012	300-800-412
M/L (green) ■	300-800-014	300-800-414
L (orange) ■	300-800-016	300-800-416

Detachable Forceps without Luer-Lock

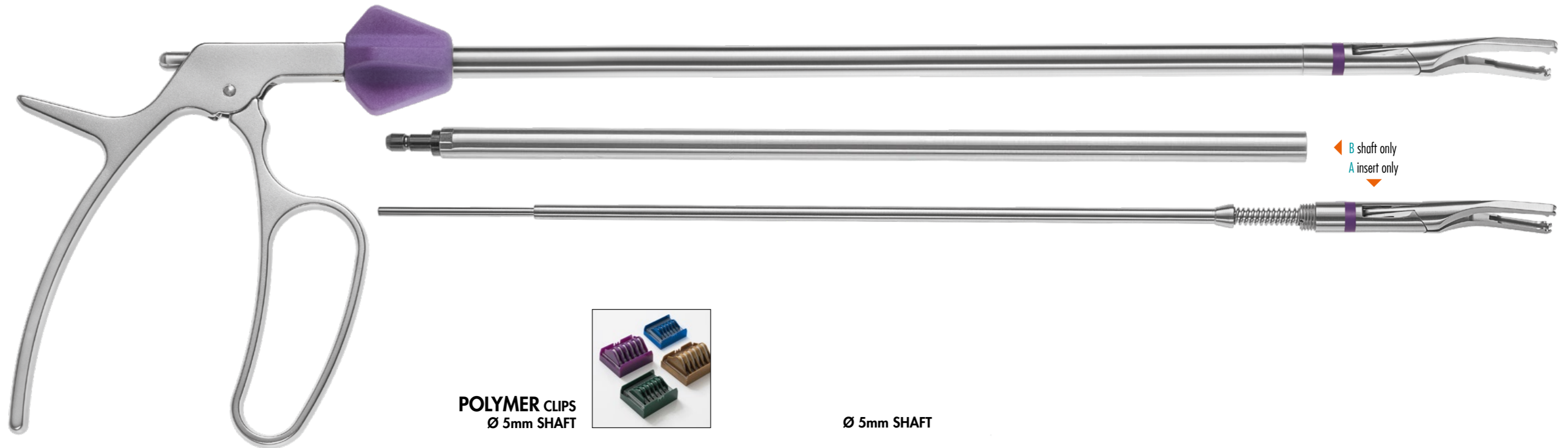


Non-detachable Forceps with Luer-Lock



CLIP APPLYING FORCEPS

ENDOSCOPIC CLIP APPLYING FORCEPS FOR POLYMER CLIPS



POLYMER CLIPS
Ø 5mm SHAFT

Size / color code	detachable, 330mm	A insert only, 330mm	B shaft only
M (blue) ■	300-830-051	300-830-151	300-830-005
M/L (green) ■	300-830-052	300-830-152	300-830-005

Ø 10mm SHAFT

Size / color code	detachable, 330mm	A insert only, 330mm	B shaft only
L (purple) ■	300-830-013	300-830-113	300-830-010
XL (yellow) ■	300-830-014	300-830-114	300-830-010

Ø 5mm SHAFT

Size / color code	detachable, 450mm	A insert only, 450mm	B shaft only
M (blue) ■	300-830-451	300-830-551	300-830-405
M/L (green) ■	300-830-452	300-830-552	300-830-405

Ø 10mm SHAFT

Size / color code	detachable, 450mm	A insert only, 450mm	B shaft only
L (purple) ■	300-830-413	300-830-513	300-830-410
XL (yellow) ■	300-830-414	300-830-514	300-830-410

Ø 5mm SHAFT

Size / color code	non-detachable, 330mm	non-detachable, 450mm
M (blue) ■	300-820-051	300-820-451
M/L (green) ■	300-820-052*	300-820-452*

Ø 10mm SHAFT

Size / color code	non-detachable, 330mm	non-detachable, 450mm
L (purple) ■	300-820-013*	300-820-413*
XL (yellow) ■	300-820-014*	300-820-414*

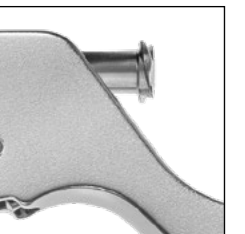
◀ B shaft only
A insert only



Detachable Forceps
without Luer-Lock



Non-detachable Forceps
with Luer-Lock



BULLDOG CLAMP APPLYING FORCEPS

- Detachable Forceps
- Black coded handpiece and insert
- Self - holding jaw
- Strong handle and good force transmission to the clamp

- Ø 10mm shaft
- completely detachable for easy cleaning

- strong and ergonomic handle design
- lotus - effect for better corrosion resistance



- Self - locking handle:
the bulldog clamp will be
self - hold in closed position

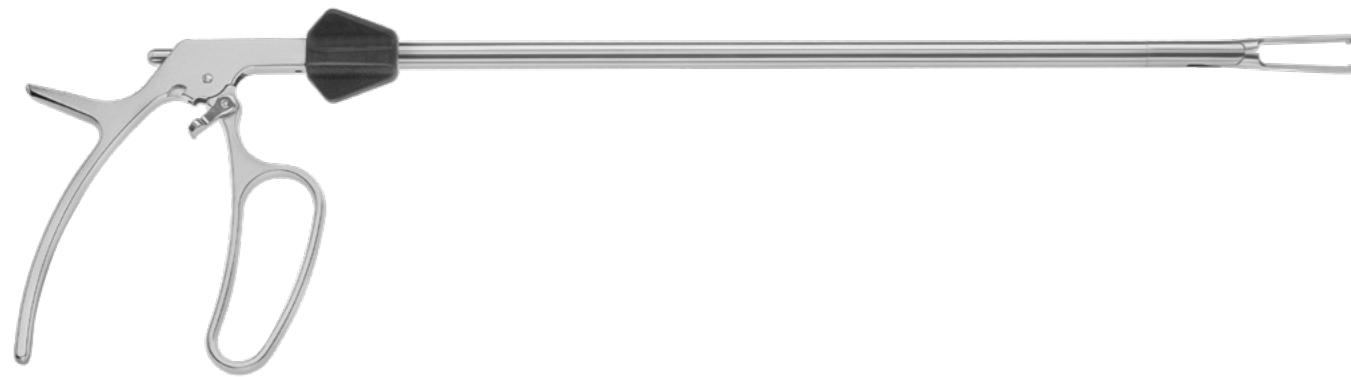


Non-detachable model

- Basic features
- Luer-Lock connection
- Easy cleaning

CLIP APPLYING FORCEPS

ENDOSCOPIC CLIP APPLYING FORCEPS FOR **BULLDOG** CLAMPS



Endoscopic Bulldog Clamp Applier, 360° rotatable

Ø 10mm SHAFT

	detachable	non-detachable
330mm working length	300-410-775	300-101-775
450mm working length	300-411-775	300-111-775



Shaft only, for detachable Bulldog Clamp Applier

300-830-010	330 mm working length
300-830-410	450 mm working length



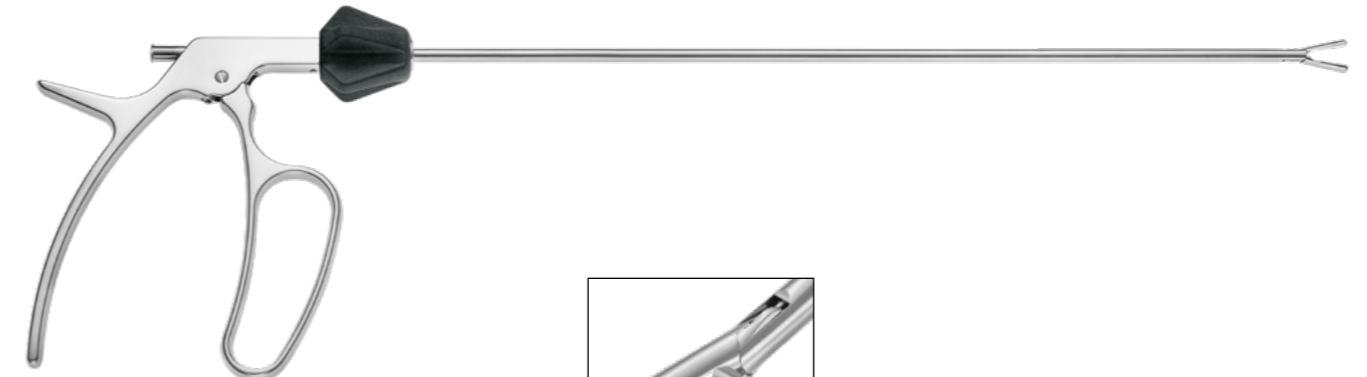
Insert only, for detachable Bulldog Clamp Applier

300-400-775	330 mm working length
300-401-775	450 mm working length



POLYMER CLIP REMOVING FORCEPS

360° rotatable, detachable and non-detachable models



Ø 5mm SHAFT

Size / color code	detachable, 330mm	insert only, 330mm	shaft only
M & M/L (black) ■	300-830-056	300-830-156	300-830-005

Ø 10mm SHAFT

Size / color code	detachable, 330mm	insert only, 330mm	shaft only
L & XL (black) ■	300-830-015	300-830-115	300-830-010

Ø 5mm SHAFT

Size / color code	detachable, 450mm	insert only, 450mm	shaft only
M & M/L (black) ■	300-830-456	300-830-556	300-830-405

Ø 10mm SHAFT

Size / color code	detachable, 450mm	insert only, 450mm	shaft only
L & XL (black) ■	300-830-415	300-830-515	300-830-410

Ø 5mm SHAFT

Size / color code	non-detachable, 330mm	non-detachable, 450mm
M & M/L (black) ■	300-820-056*	300-820-456

Ø 10mm SHAFT

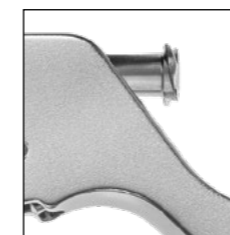
Size / color code	non-detachable, 450mm	non-detachable, 450mm
L & XL (black) ■	300-820-015*	300-820-415



Polymer Clips Removal Forceps



Detachable Forceps without Luer-Lock



Non-detachable Forceps with Luer-Lock



RZ Medizintechnik GmbH

Unter Hasslen 20
78532 Tuttlingen, Germany

Phone: +49 (0)7462/9470-0
Fax: +49 (0)7462/9470-50

sales@rz-medizintechnik.com
www.rz-medizintechnik.com

Watch the video

