

### INDEX

Sets	2 - 20
Cystoscopy	21 - 32
Resectoscopy	33 - 58
Laser Enucleation	59 - 71
Urethrotome	72 - 76
Lithotripsy	77 - 81
Nephroscopy	82 - 90
Uretero - Renoscopy	91 - 100
Pediatric	101 - 110
Devices and Flexible Instruments	111 - 113
Accessories	114 - 119
Cleaning	120 - 128
Equipment	129 - 146



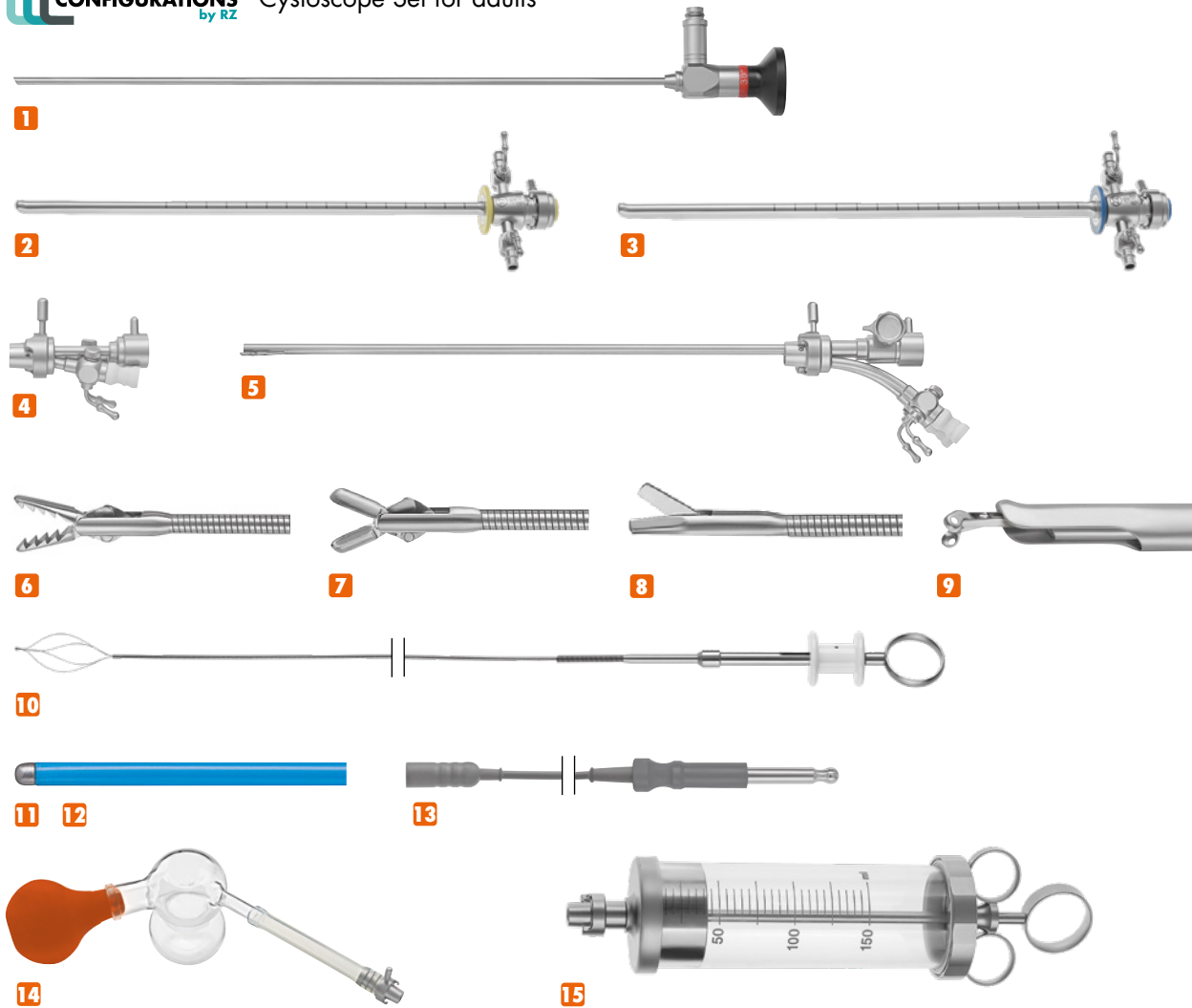
Products marked with this symbol are not available with RZ-marking, and not the CE sign/CE number of RZ.



#### RZ-Topseller products

All products marked with this green star are available on stock.

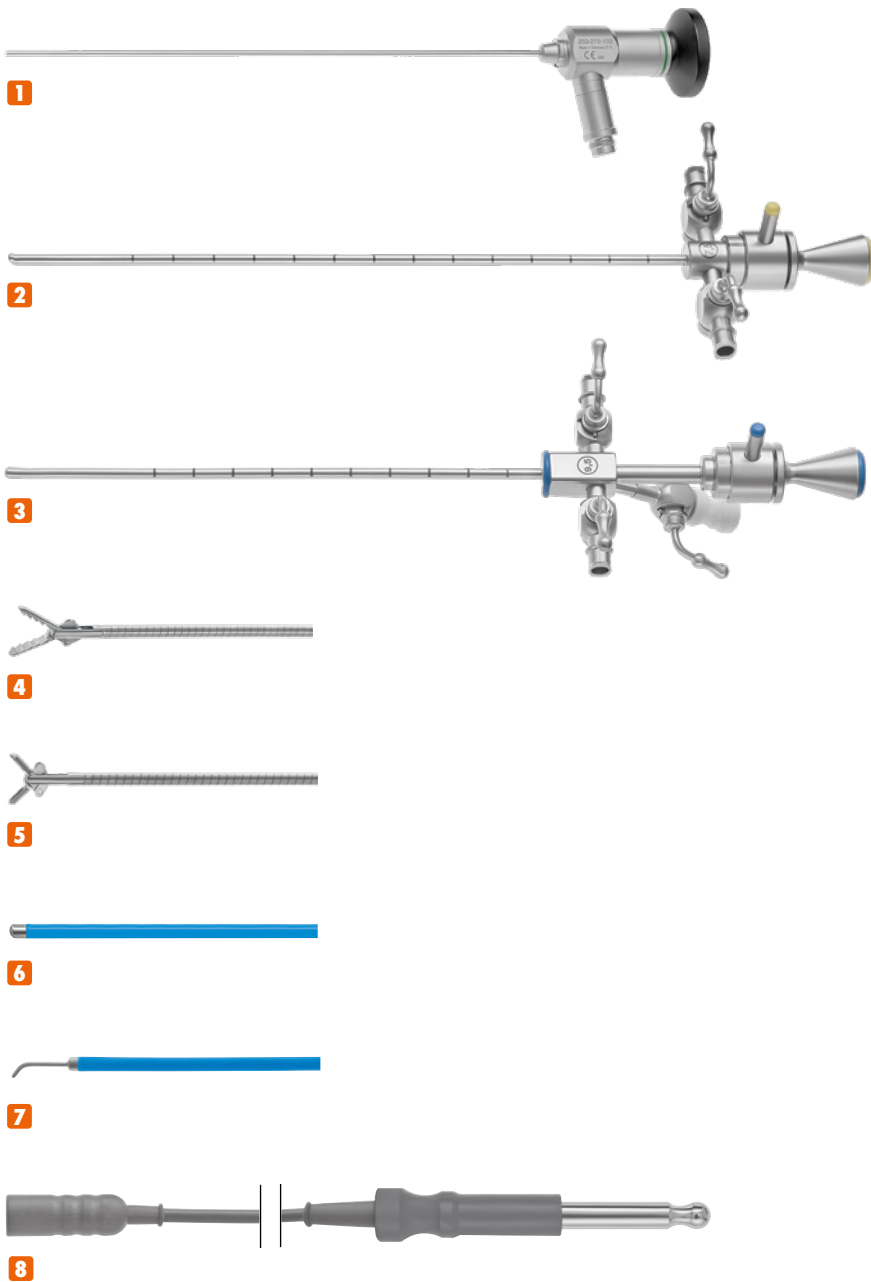
**CONFIGURATIONS** by RZ Cystoscope Set for adults



253-900-900 Cystoscope Set for adults

<b>1</b>	RZ Cystoscope, 30°, Ø 4.0mm	253-804-030	1 pc.
<b>2</b>	Cysto-Urethroscope Sheath 17 Charr.	253-300-017	1 pc.
<b>3</b>	Cysto-Urethroscope Sheath 22 Charr.	253-300-022	1 pc.
<b>4</b>	Bridge with 2 channels for 1 instrument with max. 12 Charr. or 2 instruments with max. 8 Charr.	253-000-102	1 pc.
<b>5</b>	Albarran deflecting mechanism with 2 working channels and ratchet	253-000-105	1 pc.
<b>6</b>	Flexible Grasping Forceps, serrated jaws, double action	351-114-107	1 pc.
<b>7</b>	Biopsy Forceps, oval cup, serrated jaws, double action	351-120-107	1 pc.
<b>8</b>	Scissors, single action	351-100-105	1 pc.
<b>9</b>	Spoon Biopsy Forceps with round cup, double action	253-420-100	1 pc.
<b>10</b>	Dormia Metal Stone Basket, flexible, 4 wires, 600mm working length, 5 Charr.	253-585-005	1 pc.
<b>11</b>	Ball Electrode 530mm working length, 5 Charr.	253-370-005	1 pc.
<b>12</b>	Ball Electrode 530mm working length, 7 Charr.	253-370-007	1 pc.
<b>13</b>	Monopolar Cable with 8 mm plug for Valleylab HF-unit	253-610-003	1 pc.
<b>14</b>	Ellik Evacuator with turn lock connection	253-500-000	1 pc.
<b>15</b>	Bladder Syringe, 150cc	253-000-950	1 pc.

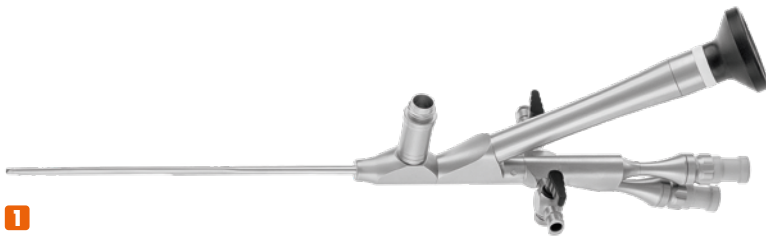
**CONFIGURATIONS** by RZ Cystoscope Set for children



253-900-918 Cystoscope Set for children

<b>1</b>	RZ Pediatric Fiber Cystoscope, 30°, Ø 2.0mm	253-219-130	1 pc.
<b>2</b>	Pediatric Cystoscope Sheath 7.5 Charr.	253-200-075	1 pc.
<b>3</b>	Pediatric Cystoscope Sheath 9.5 Charr.	253-200-095	1 pc.
<b>4</b>	Alligator grasping forceps, 28cm length, 3 Charr.	253-202-003	1 pc.
<b>5</b>	Biopsy forceps, 28cm length, 3 Charr.	253-204-003	1 pc.
<b>6</b>	Ball electrode, 25cm length, 3 Charr.	253-370-253	1 pc.
<b>7</b>	Needle electrode, 25cm length, 3 Charr.	253-371-253	1 pc.
<b>8</b>	Monopolar Cable with 8 mm plug for Valleylab HF-unit	253-610-003	1 pc.

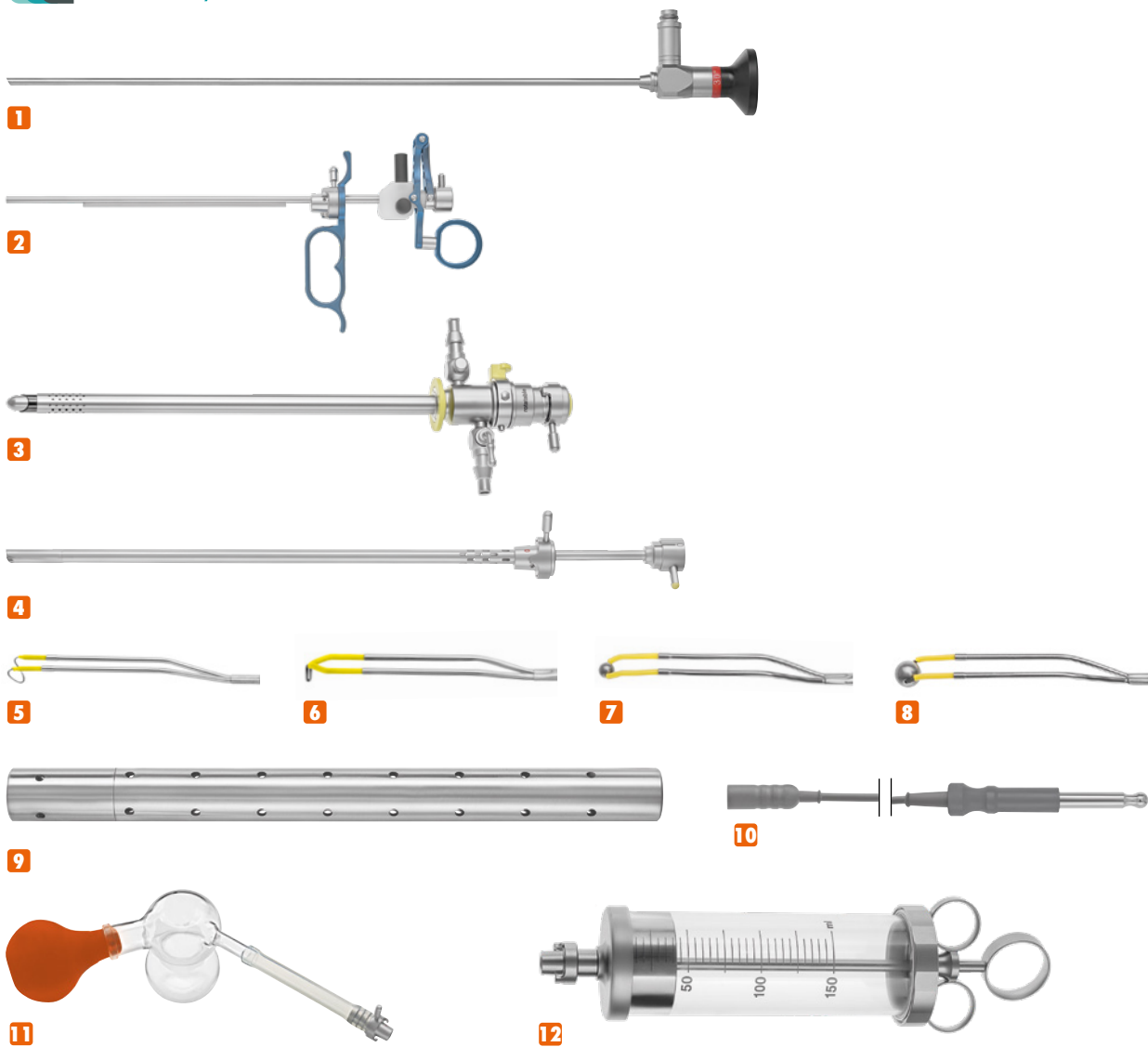
**CONFIGURATIONS** by RZ Cystoscope Set for (newborn) babies



253-900-919 Cystoscope Set for (newborn) Babies

1	Operating Cysto-Urethrotome 4.5 Charr., 5° direction of view	253-200-600	1 pc.
2	Stone Grasping Forceps, double action, 3 Charr.	253-203-128	1 pc.
3	Biopsy Forceps, double action, 3 Charr.	253-203-328	1 pc.
4	Scissors, single action, 3 Charr.	253-203-428	1 pc.
5	Ball Electrode, 3 Charr.	253-370-253	1 pc.
6	Needle electrode, 3 Charr.	253-371-253	1 pc.
7	Injection Cannula, 3 Charr.	253-200-210	1 pc.

**CONFIGURATIONS** by RZ 26 Charr. Monopolar Resectoscope Set for adults

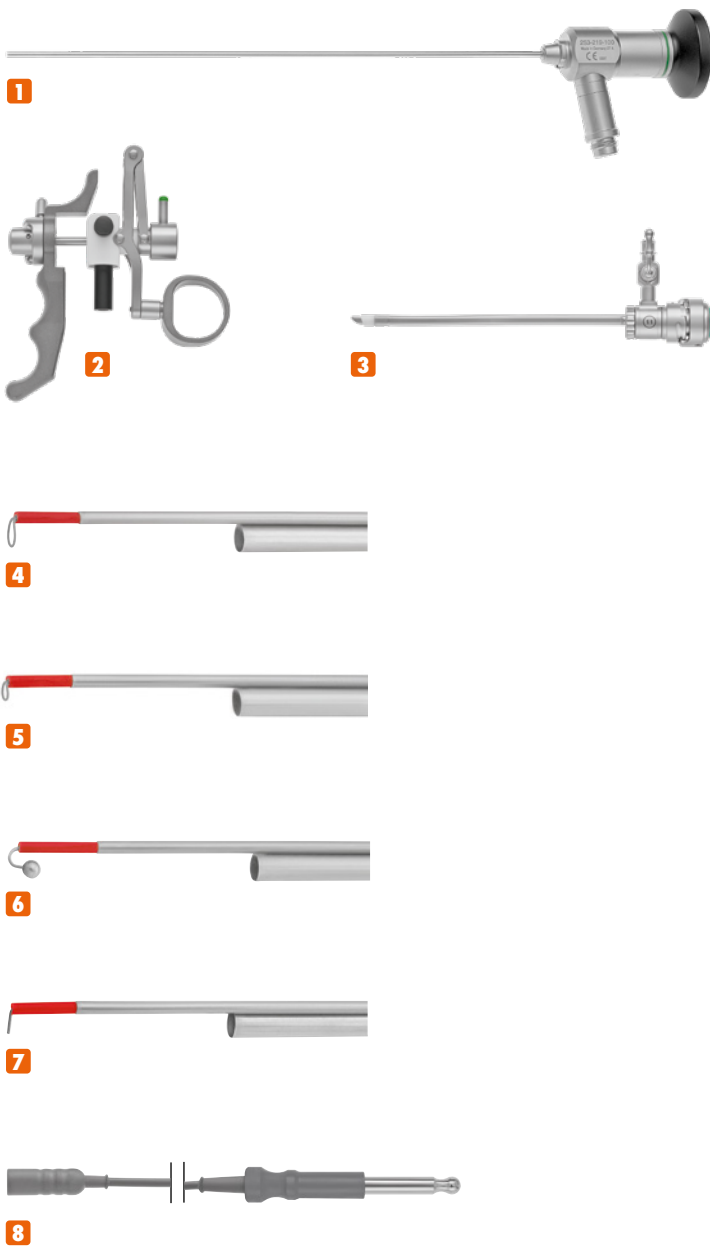


253-900-901 26 Charr. Monopolar Resectoscope Set for adults

<b>1</b>	RZ Cystoscope, 30°, Ø 4.0mm	253-804-030	1 pc.
<b>2</b>	Passive Titanium working element	253-000-200	1 pc.
<b>3</b>	Continuous Flow Resectoscope Sheath, 26 Charr., with obturator	253-000-256	1 pc.
<b>4</b>	Visual Obturator for 4mm RZ Cystoscopes	253-000-084	1 pc.
<b>5</b>	Cutting Loop, angled, for 12°/30° telescope	253-300-201	1 pc.
<b>6</b>	Coagulation Electrode, pointed	253-300-203	1 pc.
<b>7</b>	Coagulation Electrode, ball shape, Ø 3mm	253-300-205	1 pc.
<b>8</b>	Coagulation Electrode, ball shape, Ø 5mm	253-300-206	1 pc.
<b>9</b>	Sterilization tubes for electrodes	253-300-999	1 pc.
<b>10</b>	Monopolar Cable with 8 mm plug for Valleylab HF-unit	253-610-003	1 pc.
<b>11</b>	Ellik Evacuator with turn lock connection	253-500-000	1 pc.
<b>12</b>	Bladder Syringe, 150cc	253-000-950	1 pc.



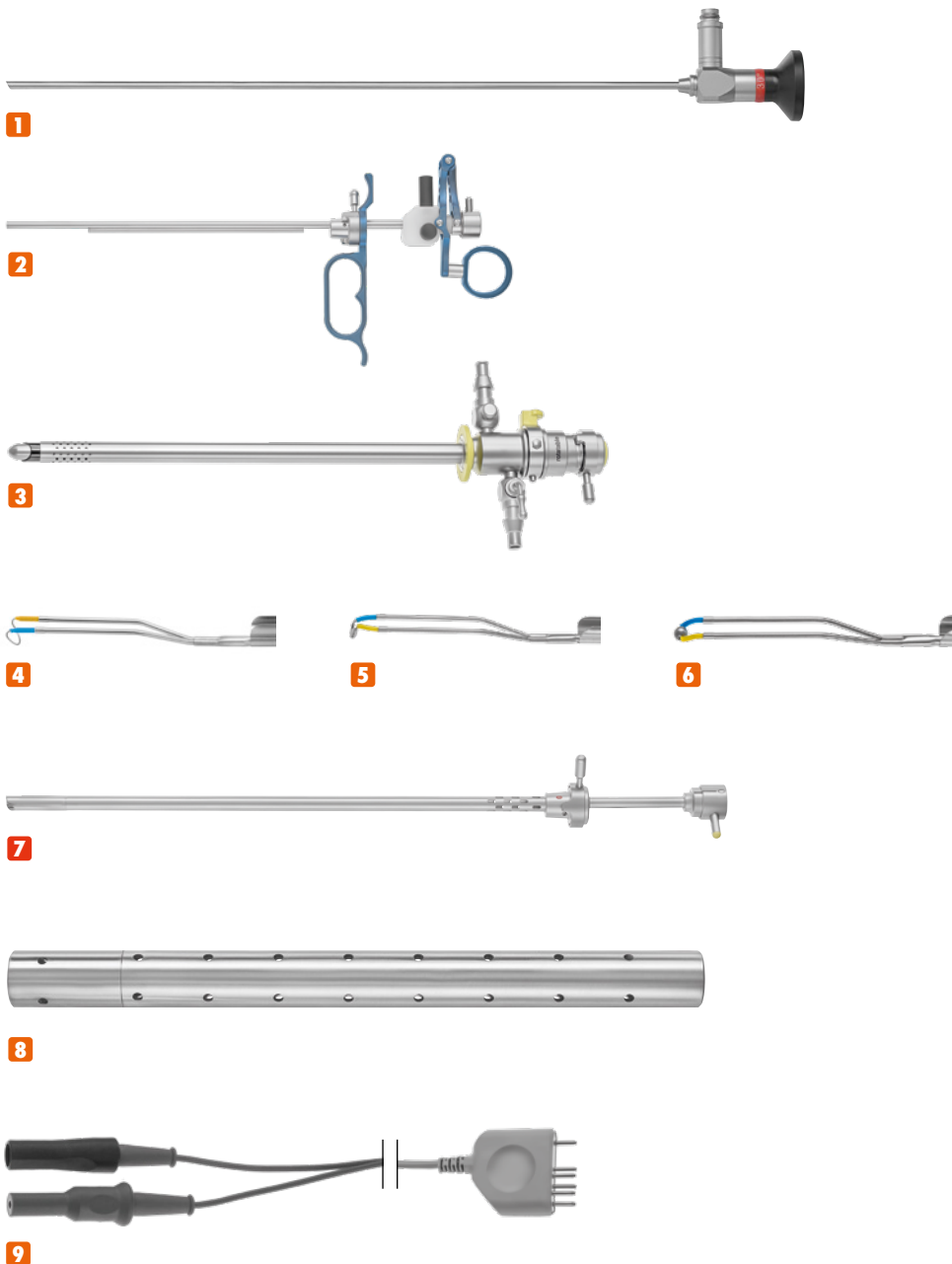
## Monopolar Resectoscope Set for children



### 253-900-905 Monopolar Resectoscope Set for children

<b>1</b>	RZ Pediatric Fiber Cystoscope, 0°, Ø 2.0mm	253-219-100	1 pc.
<b>2</b>	Passive Titanium working element	253-250-200	1 pc.
<b>3</b>	Resectoscope Sheath 11 Charr. with obturator	253-250-211	1 pc.
<b>4</b>	Cutting Loop Electrode, 11 Charr.	253-251-111	1 pc.
<b>5</b>	Coagulation Electrode, 11 Charr.	253-251-112	1 pc.
<b>6</b>	Hook Electrode with ball, 11 Charr.	253-251-113	1 pc.
<b>7</b>	Needle Electrode, pointed, 11 Charr.	253-251-115	1 pc.
<b>8</b>	Monopolar Cable with 8 mm plug for Valleylab HF-unit	253-610-003	1 pc.

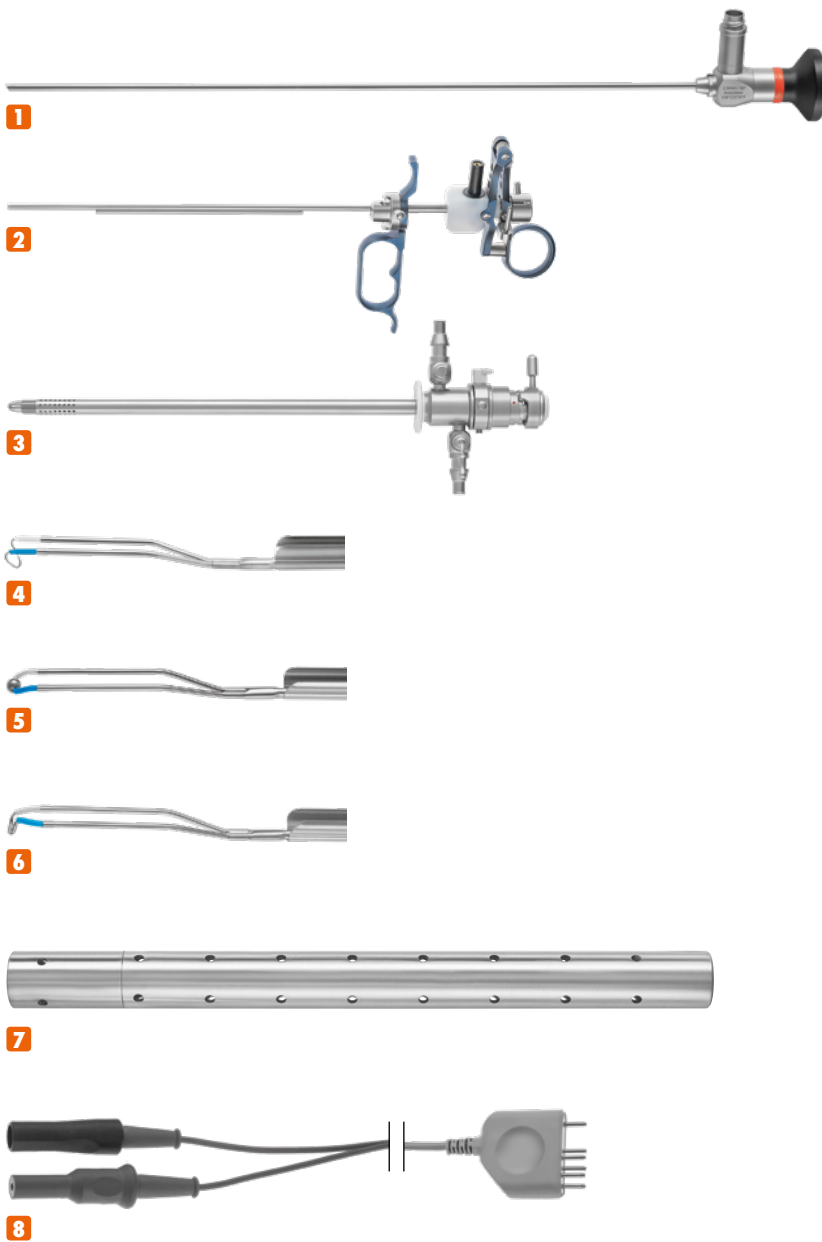
**CONFIGURATIONS** by RZ 26 Charr. Bipolar (HYBRID) Resectoscope Set for adults



253-900-911 26 Charr. Bipolar (HYBRID) Resectoscope Set for adults

<b>1</b>	RZ Cystoscope, 30°, Ø 4mm	253-804-030	1 pc.
<b>2</b>	Passive HYBRID working element	253-000-400	1 pc.
<b>3</b>	Continuous Flow Resectoscope Sheath, 26 Charr.	253-000-256	1 pc.
<b>4</b>	Cutting Electrode	253-400-201	1 pc.
<b>5</b>	Collins Coagulation Electrode	253-400-203	1 pc.
<b>6</b>	Ball Electrode	253-400-205	1 pc.
<b>7</b>	Visual Obturator, with 6 Charr. working channel	253-000-094	1 pc.
<b>8</b>	Sterilization tube for electrodes	253-300-999	1 pc.
<b>9</b>	SDS Cable, 4.5m, bipolar	700-500-453	1 pc.

**CONFIGURATIONS** by RZ 22 Charr. Bipolar (HYBRID) Resectoscope Set

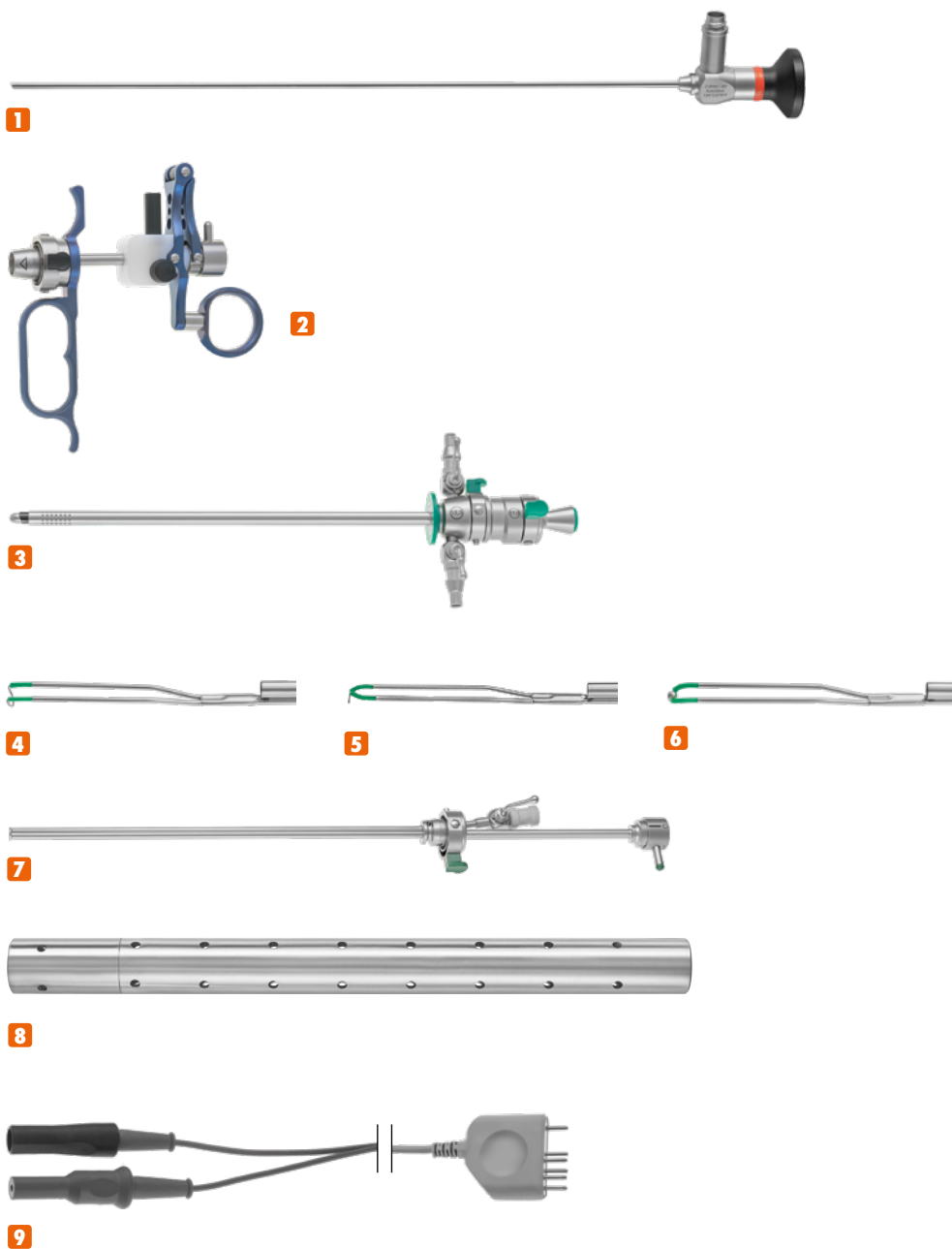


22 Charr. Hybrid Resectoscope Set

<b>1</b>	RZ Rod Lens Cystoscope, 30°, Ø 2.9mm	253-829-030	1 pc.
<b>2</b>	Passive Titanium Working Element	253-000-410	1 pc.
<b>3</b>	Resectoscope Sheath, 22 Charr., rotating inner tube, for continuous suction / irrigation	253-000-352	1 pc.
<b>4</b>	Loop Electrode, 30° angled	253-000-541	1 pc.
<b>5</b>	Ball Electrode	253-000-545	1 pc.
<b>6</b>	Knife Electrode	253-000-543	1 pc.
<b>7</b>	Storage container for knives and electrodes, metal, perforated	253-300-999	1 pc.
<b>8</b>	SDS Cable, 4.5m, bipolar	700-500-453	1 pc.



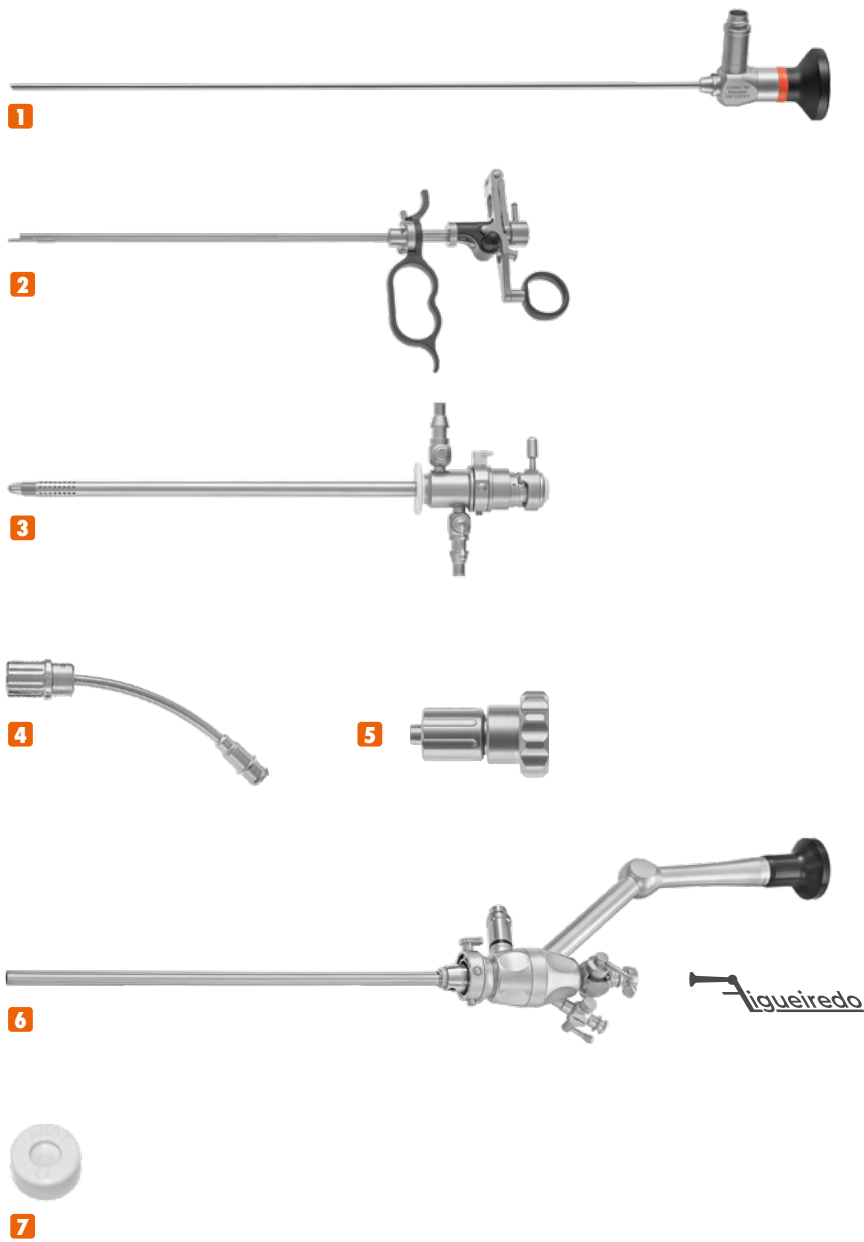
## 18.5 Charr. Bipolar (HYBRID) Resectoscope Set



### 253-900-921 18.5 Charr. Bipolar (HYBRID) Resectoscope Set for adults and adolescents

<b>1</b>	RZ Cystoscope, 30°, Ø 2.9mm	253-829-030	1 pc.
<b>2</b>	Passive HYBRID working element	351-400-200	1 pc.
<b>3</b>	Continuous Flow Resectoscope Sheath, 18.5 Charr.	351-000-185	1 pc.
<b>4</b>	Loop Electrode	351-000-201	1 pc.
<b>5</b>	Knife Electrode	351-000-203	1 pc.
<b>6</b>	Ball Electrode	351-000-205	1 pc.
<b>7</b>	Visual Obturator, with 5 Charr. working channel	351-000-180	1 pc.
<b>8</b>	Sterilization tube for electrodes	253-300-999	1 pc.
<b>9</b>	SDS Cable, 4.5m, bipolar	700-500-453	1 pc.

**CONFIGURATIONS** by RZ *slim* HoLEP<sub>k</sub> Laser Resectoscope Set according to Dr. Felipe C. A. de Figueiredo



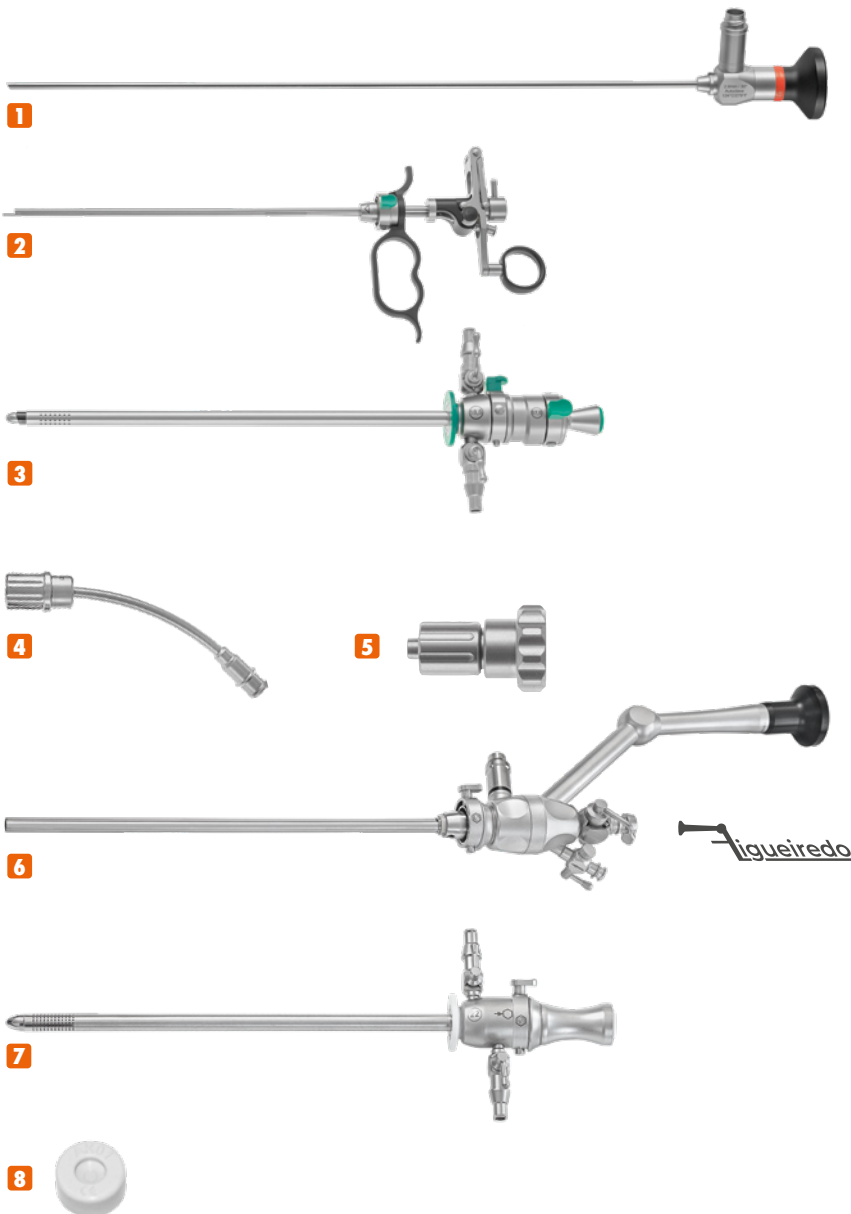
Laser Resectoscope Set according to Dr. Felipe C. A. de Figueiredo

<b>1</b>	RZ Rod Lens Cystoscope, 30°, Ø 2.9mm	253-829-030	1 pc.
<b>2</b>	RZ Laser Working Element, passive, for fibres up to 0.8mm	253-000-319	1 pc.
<b>3</b>	Resectoscope Sheath, 22 Charr., rotating inner tube, for continuous suction / irrigation	253-000-352	1 pc.
<b>4</b>	RZ LL-Connection, rotatable, for use with Laser Probe, short	253-000-301	1 pc.
<b>5</b>	Luer-Lock Tuohy Borst Adapter (Ø 0.6 - 1.4mm)	300-011-184	1 pc.
<b>6</b>	Morcescope, 22 Charr., 220mm working length, 5mm working channel	253-905-220	1 pc.
<b>7</b>	Sealing Cap for Morcescope, package of 10 pieces	253-904-220	1 pc.



*ultra slim* HoLEP<sub>k</sub>

Laser Resectoscope Set according to Dr. Felipe C. A. de Figueiredo

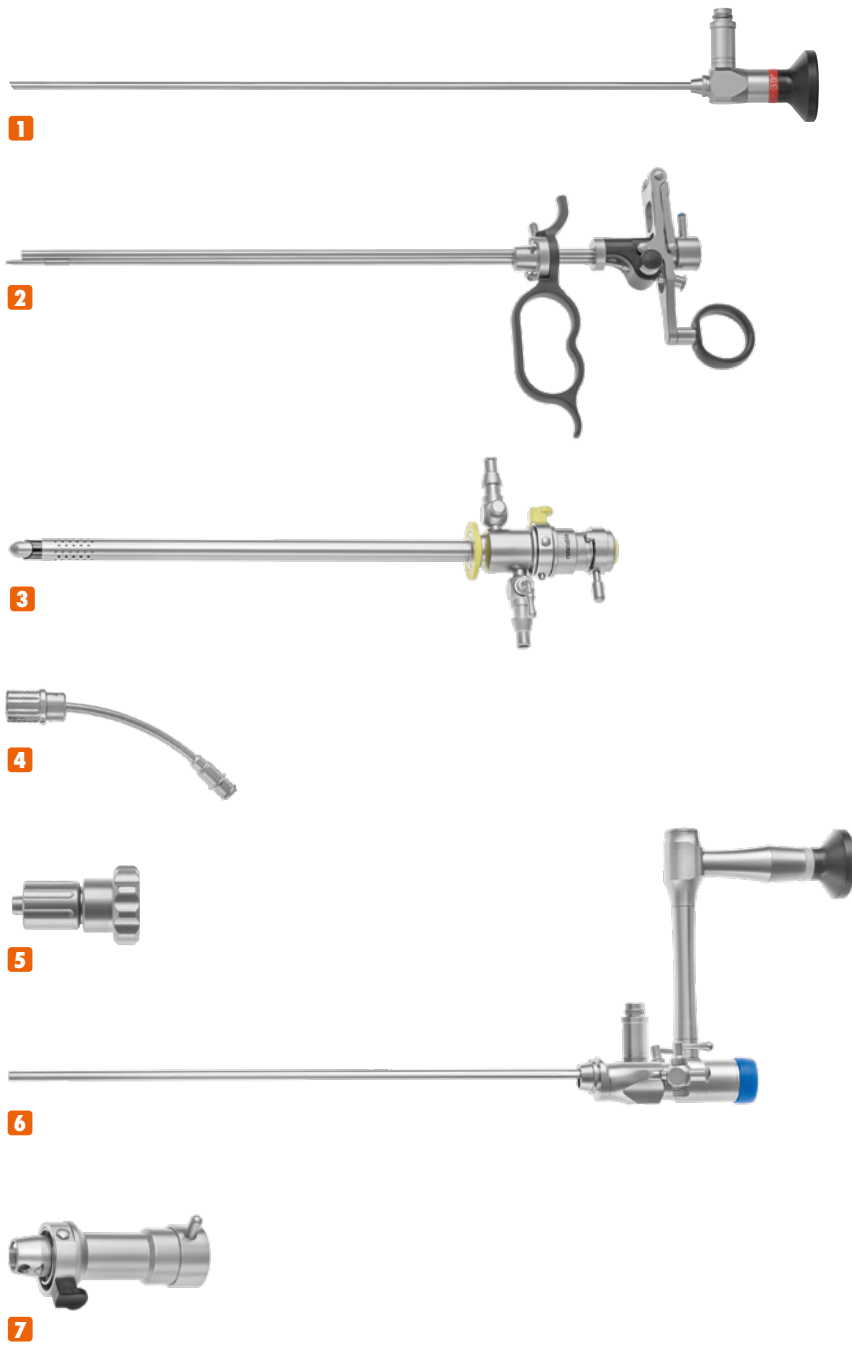


Laser Resectoscope Set according to Dr. Felipe C. A. de Figueiredo

<b>1</b>	RZ Rod Lens Cystoscope, 30°, Ø 2.9mm	253-829-030	1 pc.
<b>2</b>	RZ Laser Working Element, passive, for fibres up to 0.8mm, with push button	253-000-318	1 pc.
<b>3</b>	Resectoscope Continuous Flow Sheath, 18.5 Charr.	351-000-185	1 pc.
<b>4</b>	RZ LL-Connection, rotatable, for use with Laser Probe, short	253-000-301	1 pc.
<b>5</b>	Luer-Lock Tuohy Borst Adapter (Ø 0.6 - 1.4mm)	300-011-184	1 pc.
<b>6</b>	Morcescope, 22 Charr., 220mm working length, 5mm working channel	253-905-220	1 pc.
<b>7</b>	Continuous Flow Sheath, 22 Charr.	253-901-220	1 pc.
<b>8</b>	Sealing Cap for Morcescope, package of 10 pieces	253-904-220	1 pc.



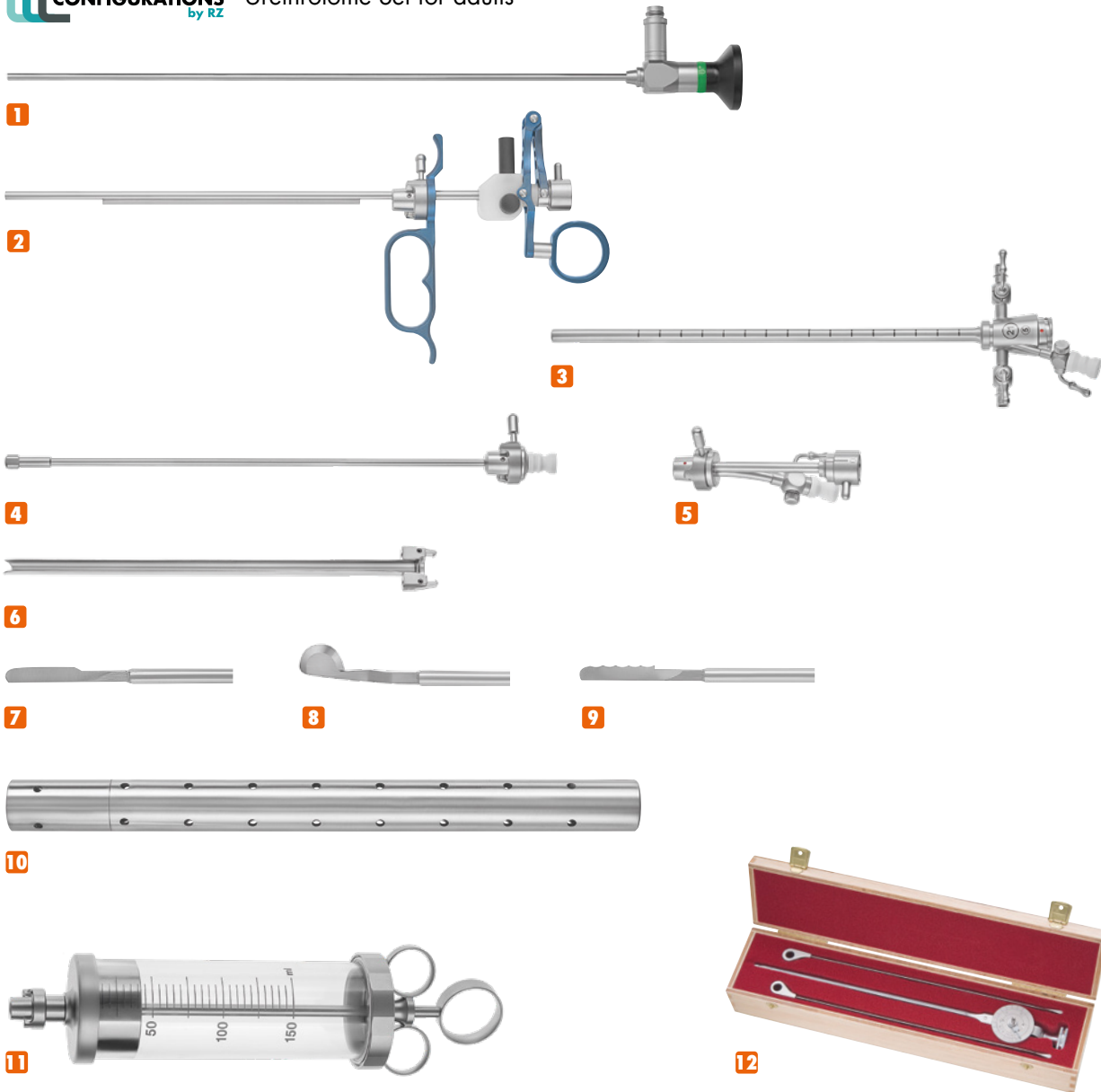
## HoLEP Set



### 253-900-920 HoLEP Set

<b>1</b>	RZ Cystoscope, 30°, Ø 4.0mm	253-804-030	1 pc.
<b>2</b>	RZ Laser Working Element, passive, for laser-probes	253-000-312	1 pc.
<b>3</b>	Continuous Flow Resectoscope Sheath, 26 Charr.	253-000-256	1 pc.
<b>4</b>	RZ LL-Connection	253-000-302	1 pc.
<b>5</b>	Luer-Lock Tuohy Borst Adapter	300-011-184	1 pc.
<b>6</b>	Nephroscope 6°	253-900-121	1 pc.
<b>7</b>	Adapter for Resectoscope outer sheath 253-000-256	253-428-100	1 pc.

**CONFIGURATIONS** by RZ Urethrotome Set for adults

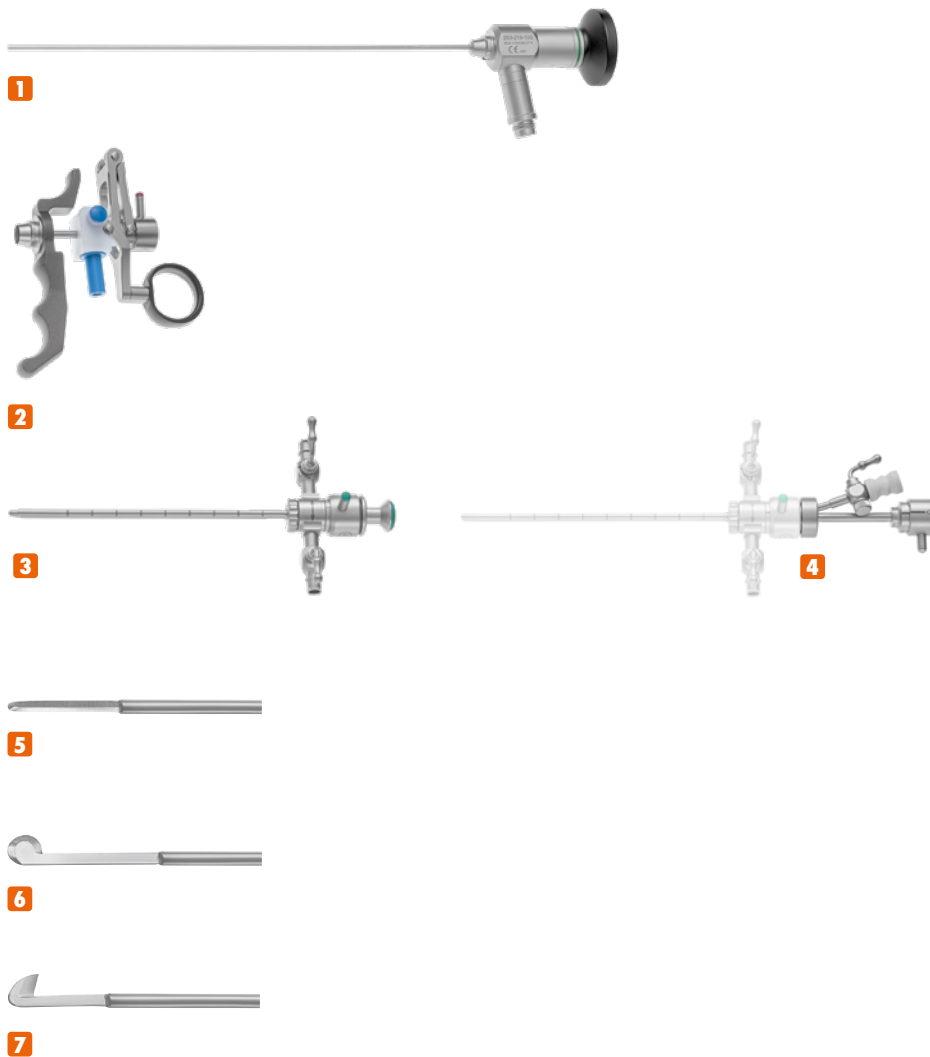


253-900-902 Urethrotome Set for adults

<b>1</b>	RZ Cystoscope, 0°, Ø 4.0mm	253-804-000	1 pc.
<b>2</b>	Passive Titanium Working Element	253-000-200	1 pc.
<b>3</b>	Urethrotome Sheath oval shape, 21 Charr.	253-500-221	1 pc.
<b>4</b>	Hollow Obturator with channel for guide wires	253-500-321	1 pc.
<b>5</b>	Bridge with channel for 5 Charr. accessories	253-500-325	1 pc.
<b>6</b>	Supplementary Sheath, half round	253-500-230	1 pc.
<b>7</b>	Sachse knife, straight	253-500-561	3 pcs.
<b>8</b>	Half round knife, 180° cutting	253-500-563	2 pcs.
<b>9</b>	WaveCut knife, straight	253-500-564	1 pc.
<b>10</b>	Sterilization tube for electrodes	253-300-999	1 pc.
<b>11</b>	Bladder Syringe, 150cc	253-000-950	1 pc.
<b>12</b>	OTIS Dilation Urethrotome, complete	253-500-100	1 pc.



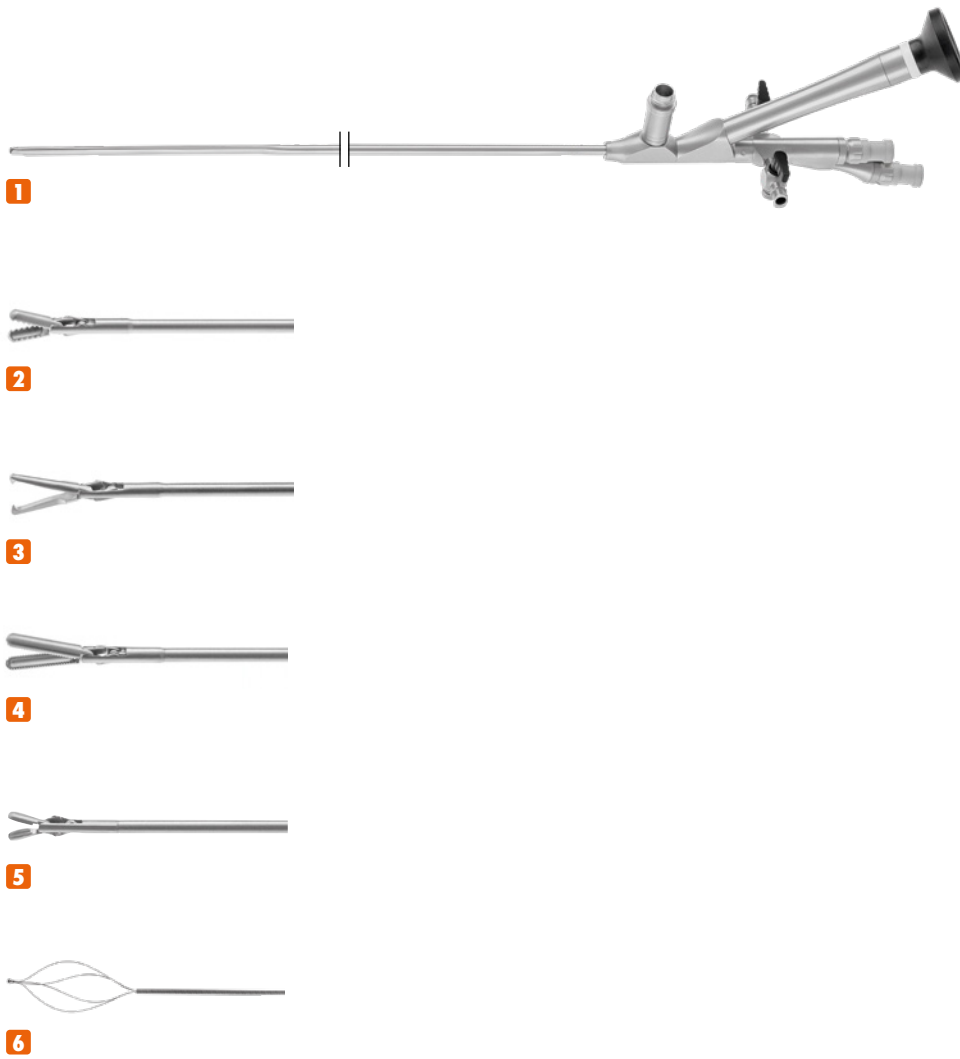
## Urethrotome Set for children



### 253-900-922 Urethrotome Set for children

<b>1</b>	RZ Pediatric Fiber Cystoscope, 0°, Ø 2.0mm	253-219-100	1 pc.
<b>2</b>	Passive Working Element	253-250-200	1 pc.
<b>3</b>	Pediatric Urethrotome sheath, 10 Charr.	253-265-010	1 pc.
<b>4</b>	Bridge with 1 channel	253-255-001	1 pc.
<b>5</b>	Knife with straight cutting edge	253-265-101	1 pc.
<b>6</b>	Round Knife	253-265-102	1 pc.
<b>7</b>	Hook Knife	253-265-104	1 pc.

**CONFIGURATIONS** Uretero-Renoscope Set  
by RZ

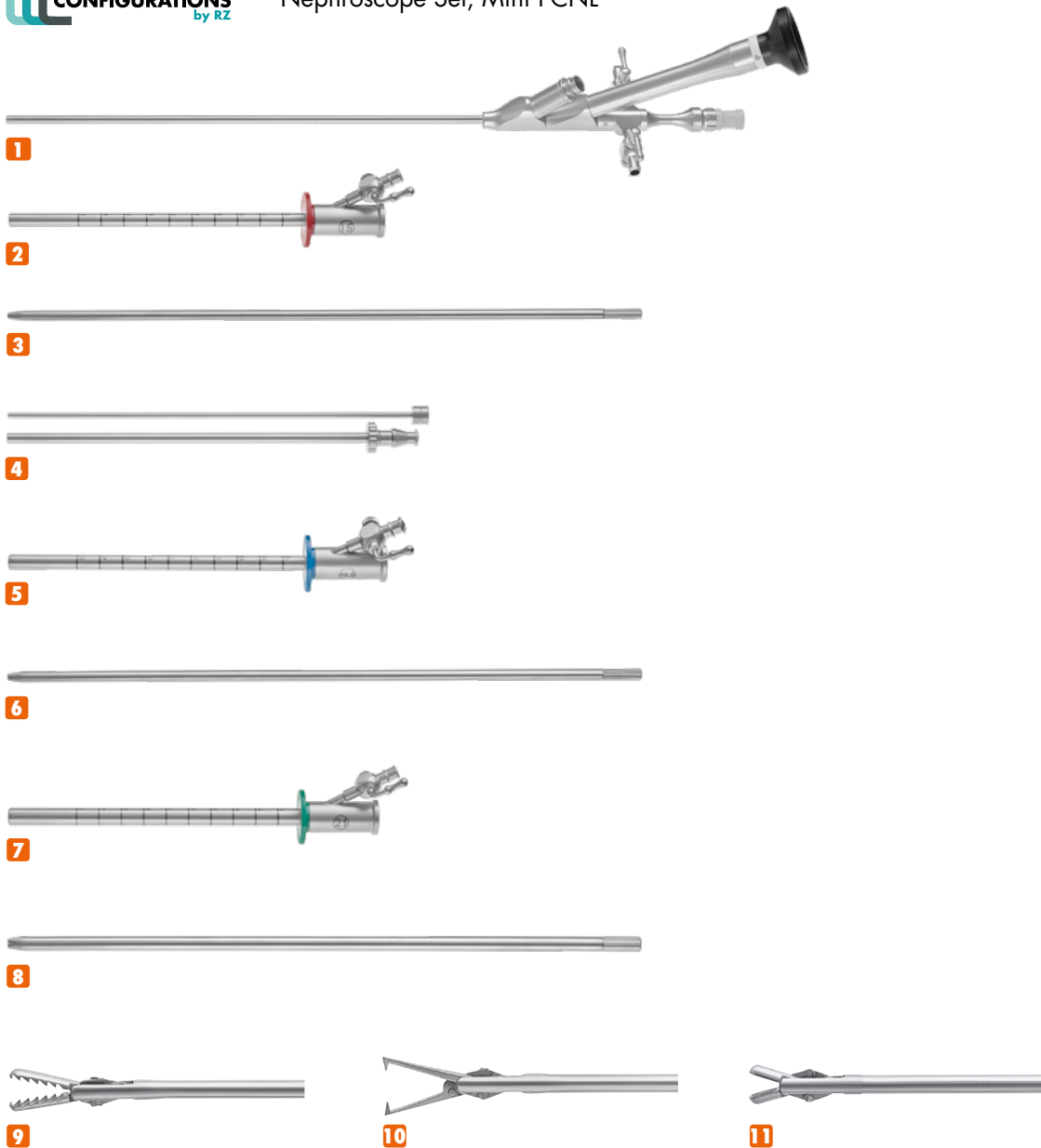


253-900-903 Uretero-Renoscope Set

<b>1</b>	Advanced Semi-Rigid Uretero-Renoscope	253-905-540	1 pc.
<b>2</b>	Stone Grasping Forceps	253-950-005	1 pc.
<b>3</b>	Stone Grasping Forceps for large stones	253-952-005	1 pc.
<b>4</b>	HAMADA Long Stone Grasping Forceps	253-954-005	1 pc.
<b>5</b>	Biopsy Forceps	253-956-005	1 pc.
<b>6</b>	Dormia Metal Stone Basket, flexible	253-585-005	1 pc.



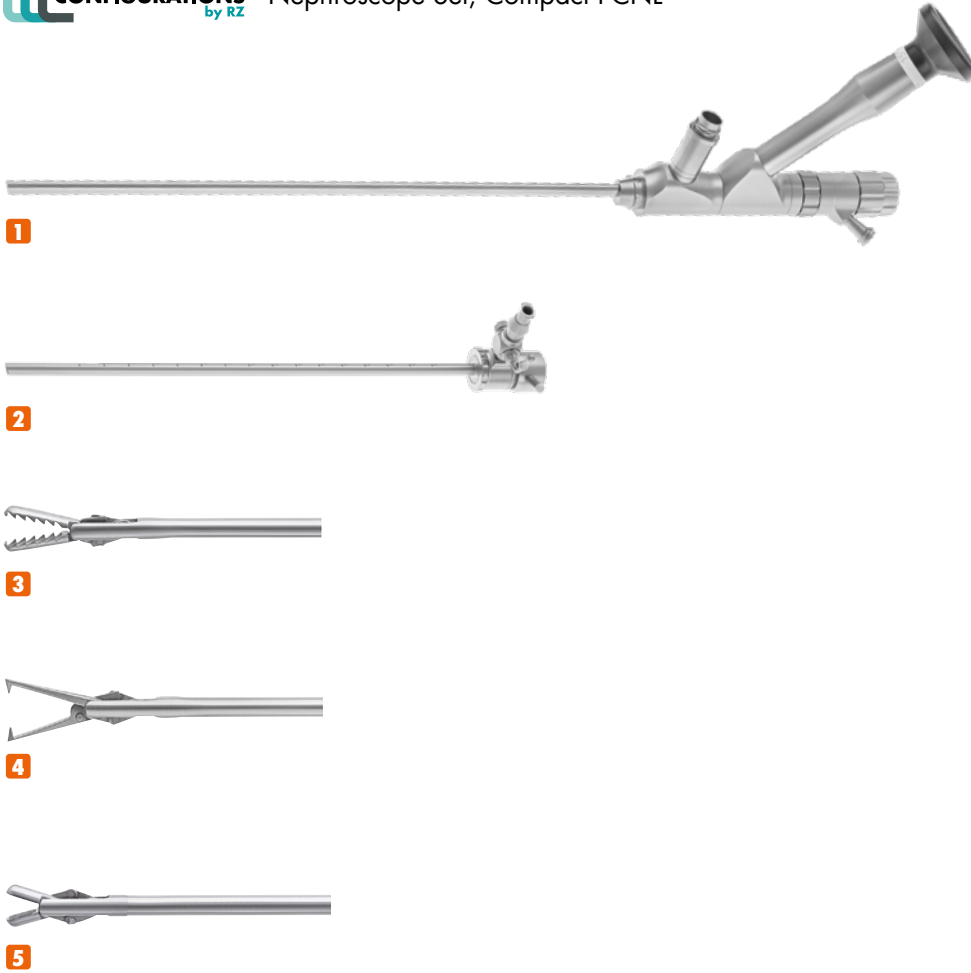
## Nephroscope Set, Mini PCNL



### 253-900-909 Nephroscope Set, Mini PCNL

<b>1</b>	Mini Nephroscope, 12°	253-900-140	1 pc.
<b>2</b>	15 Charr. Nephroscope Sheath	253-900-141	1 pc.
<b>3</b>	One-Step Dilator	253-900-146	1 pc.
<b>4</b>	2-piece Sealing Adapter	253-900-145	1 pc.
<b>5</b>	16.5 Charr. Nephroscope Sheath	253-900-142	1 pc.
<b>6</b>	One-Step Dilator	253-900-147	1 pc.
<b>7</b>	21 Charr. Nephroscope Sheath	253-900-143	3 pcs.
<b>8</b>	One-step Dilator	253-900-148	3 pcs.
<b>9</b>	Stone Grasping forceps	253-950-455	1 pc.
<b>10</b>	Stone Grasping Forceps for large stones	253-952-455	1 pc.
<b>11</b>	Biopsy Forceps	253-956-455	1 pc.

**CONFIGURATIONS** by RZ Nephroscope Set, Compact PCNL

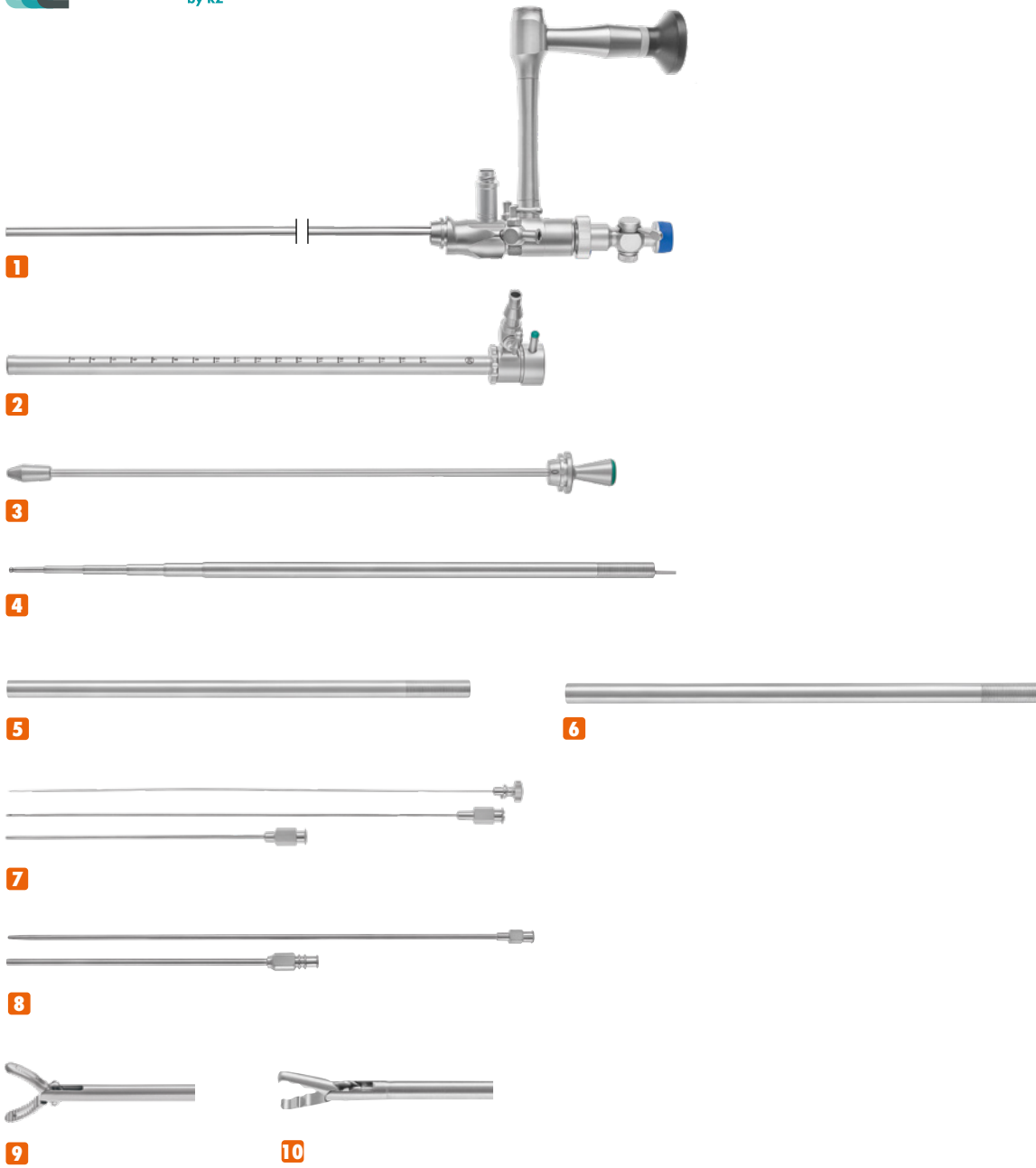


253-900-923 Nephroscope Set, Compact PCNL

<b>1</b>	Compact Nephroscope	253-900-830	1 pc.
<b>2</b>	Shaft with Obturator	253-900-888	1 pc.
<b>3</b>	Stone Grasping forceps	253-950-455	1 pc.
<b>4</b>	Stone Grasping Forceps for large stones	253-952-455	1 pc.
<b>5</b>	Biopsy Forceps	253-956-455	1 pc.



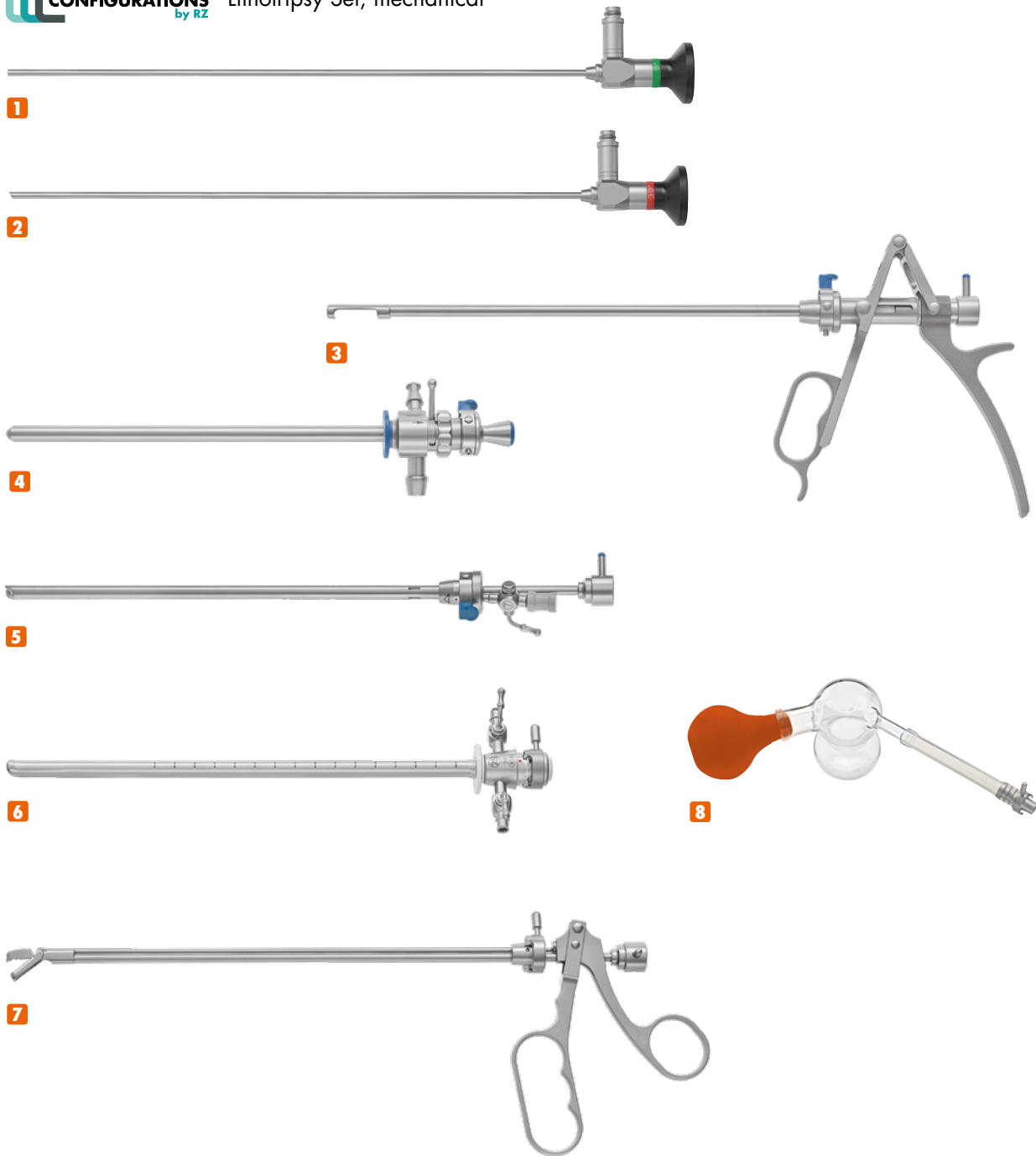
## Nephroscope Set, Standard PCNL



### 253-900-924 Nephroscope Set, Standard PCNL

<b>1</b>	Nephroscope, 6°	253-900-121	1 pc.
<b>2</b>	Operating Sheath 26 Charr.	253-900-130	1 pc.
<b>3</b>	Hollow Obturator 26 Charr.	253-900-135	1 pc.
<b>4</b>	Amplatz metal Dilator Set	253-900-155	1 pc.
<b>5</b>	Amplatz metal Dilator 27 Charr.	253-900-156	1 pc.
<b>6</b>	Amplatz metal Dilator 30 Charr.	253-900-157	1 pc.
<b>7</b>	Puncture Cannula with inner and outer cannula	253-900-201	3 pcs.
<b>8</b>	Dilation Cannula, Ø 3mm	253-900-202	3 pcs.
<b>9</b>	Stone Grasping Forceps, fenestrated	253-900-250	1 pc.
<b>10</b>	Stone Grasping Forceps, coarse serrated	253-900-252	1 pc.

**CONFIGURATIONS** by RZ Lithotripsy Set, mechanical



253-900-925 Lithotripsy Set, mechanical

<b>1</b>	RZ Cystoscope, 0°, Ø 4.0mm	253-804-000	1 pc.
<b>2</b>	RZ Cystoscope, 30°, Ø 4.0mm	253-804-030	1 pc.
<b>3</b>	Mauermayer Stone Punch	253-755-010	1 pc.
<b>4</b>	Punch Sheath with Central Valve, 24 Charr.	253-755-020	1 pc.
<b>5</b>	Visual Obturator with 7 Charr. working channel	253-755-030	1 pc.
<b>6</b>	Cysto-Urethroscope Sheath 25 Charr.	253-300-025	1 pc.
<b>7</b>	Stone Crushing Forceps for small stones, single action	253-760-000	1 pc.
<b>8</b>	Ellik Evacuator with turn lock connection	253-500-000	1 pc.



## Lithotripsy Set, electro-pneumatic



1



2



3

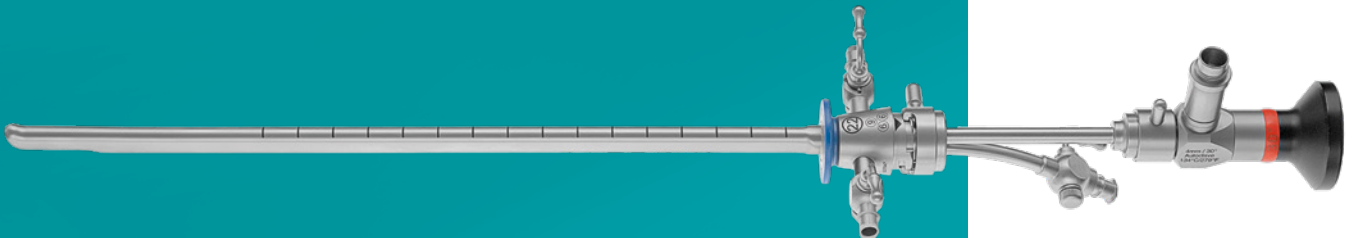


4 - 9

### 253-900-926 Lithotripsy Set, electro-pneumatic

1	L 100 Lithotripter	253-750-100	1 pc.
2	Pneumatic Footswitch	253-750-150	1 pc.
3	Hand piece, anodised	253-750-200	1 pc.
4	Litho Probe, 0.6mm	253-850-006	2 pcs.
5	Litho Probe, 0.8mm	253-850-008	2 pcs.
6	Litho Probe, 1.0mm	253-850-010	2 pcs.
7	Litho Probe, 1.2mm	253-850-012	2 pcs.
8	Litho Probe, 1.6mm	253-850-016	2 pcs.
9	Litho Probe, 2.0mm	253-850-020	2 pcs.

## CYSTOSCOPY



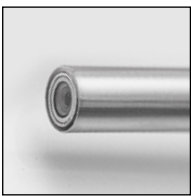
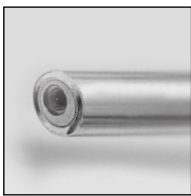
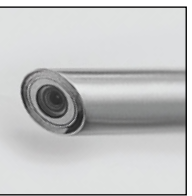

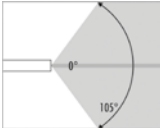
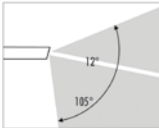
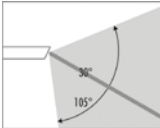
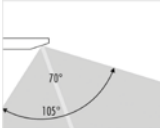
# 4K UHD CYSTOSCOPES

- 4K Ultra High Definition resolution
- Autoclavable
- Made in Germany

Ø  
4 mm



RZ 4K Cystoscope, Ø 4mm, 302mm working length, 362mm overall length

			
0°	12°	30°	70°
253-804-400	253-804-412	253-804-430	253-804-470
			



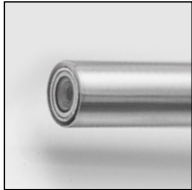
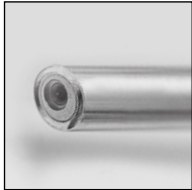
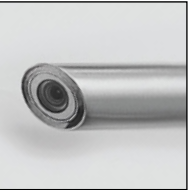
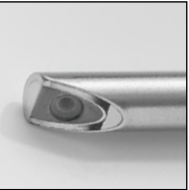
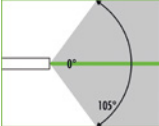
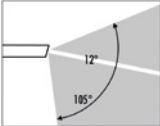
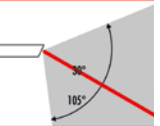
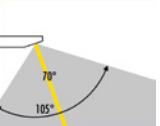
# FULL HD CYSTOSCOPES

- Colour coded rings identify the direction of view
- Sapphire glasses to protect lens system
- Optimized glass fibre arrangements for an uniform image brightness
- Autoclavable
- Made in Germany

∅  
4 mm

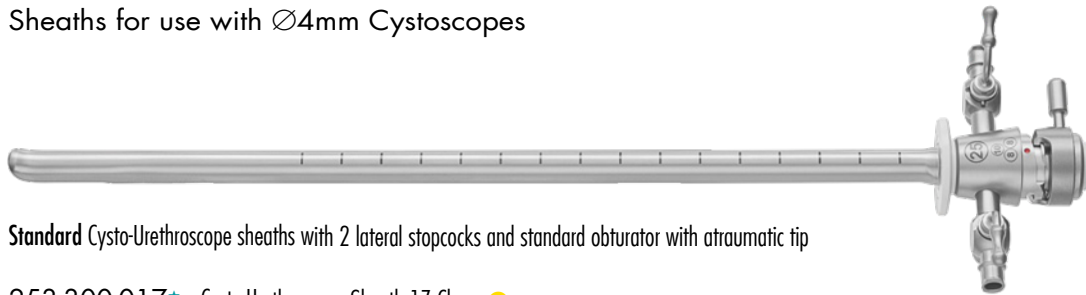


RZ Cystoscope, ∅ 4mm, 302mm working length, 356mm overall length

			
0°	12°	30°	70°
■ 253-804-000*	□ 253-804-012*	■ 253-804-030*	■ 253-804-070*
			

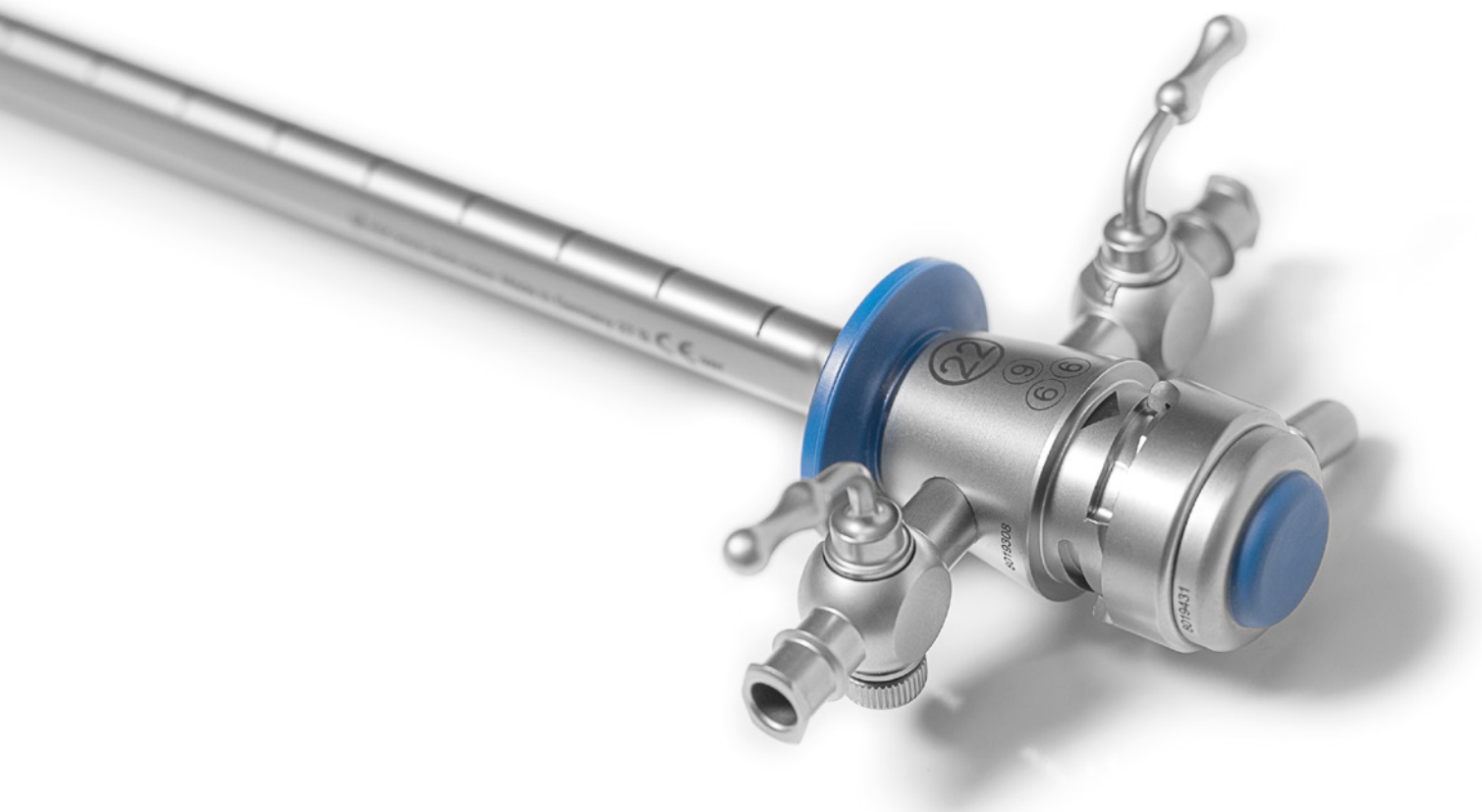


Sheaths for use with  $\varnothing$ 4mm Cystoscopes



Standard Cysto-Urethroscope sheaths with 2 lateral stopcocks and standard obturator with atraumatic tip

- 253-300-017\* Cysto-Urethroscope Sheath 17 Charr. ●
- 253-300-019\* Cysto-Urethroscope Sheath 19 Charr. ●
- 253-300-020\* Cysto-Urethroscope Sheath 20 Charr. ●
- 253-300-022\* Cysto-Urethroscope Sheath 22 Charr. ●
- 253-300-025\* Cysto-Urethroscope Sheath 25 Charr. ○



## Obturator for use with Cystoscope sheaths



Standard Obturators with atraumatic tip and locking mechanism for all RZ Cysto-Urethroscope sheaths

- 253-000-117 Obturator 17 Charr. ●
- 253-000-119 Obturator 19 Charr. ●
- 253-000-120 Obturator 21 Charr. ●
- 253-000-122 Obturator 23 Charr. ●
- 253-000-125 Obturator 25 Charr. ○



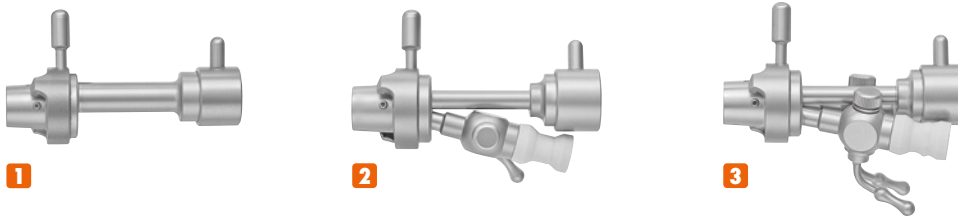
Visual Obturators with locking mechanism for all 4mm RZ Cystoscopes

- 253-000-217 Obturator 17 Charr. ●
- 253-000-219 Obturator 19 Charr. ●
- 253-000-220 Obturator 20 Charr. ●
- 253-000-222 Obturator 22 Charr. ●
- 253-000-225 Obturator 25 Charr. ○



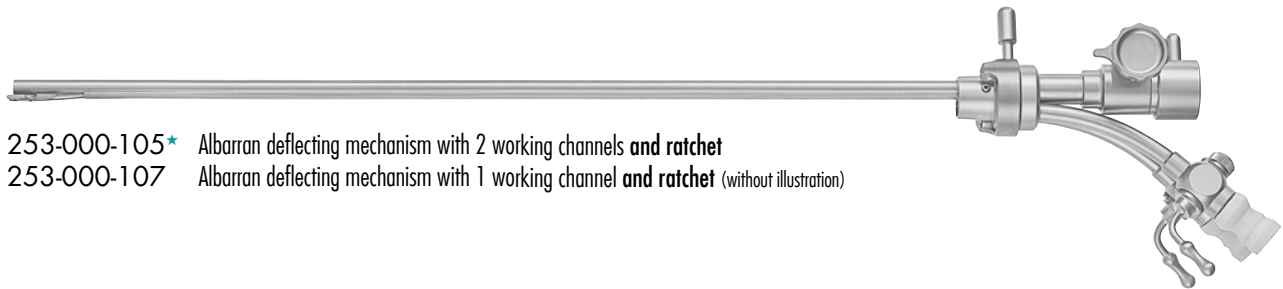
253-315-000  
Hamada Cystoscope Adapter for use with RZ Cystoscope sheath

### Cystoscope Bridge for use with Cysto-Urethroscope sheaths

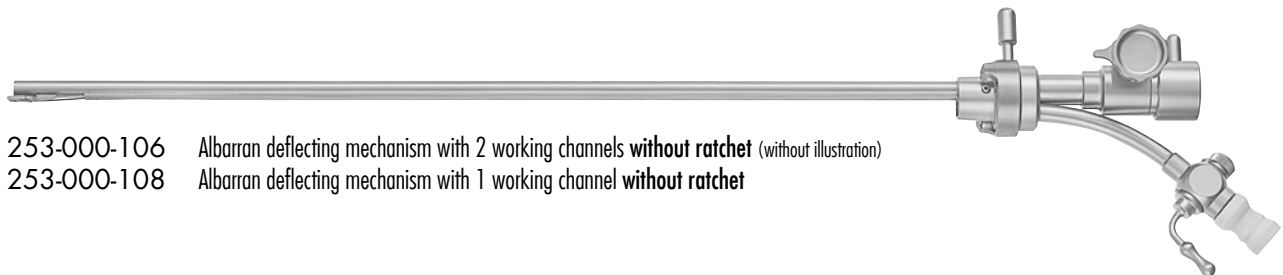


- 1** 253-000-100\* without channel
- 2** 253-000-101\* with 1 channel for 1 instrument with max. 12 Charr.
- 3** 253-000-102\* with 2 channels for 1 instrument with max. 12 Charr. or 2 instruments with max. 8 Charr.

### Albarran deflecting mechanism for use with 19-25 Charr. RZ Cysto-Urethroscope sheaths



- 253-000-105\* Albarran deflecting mechanism with 2 working channels **and ratchet**
- 253-000-107 Albarran deflecting mechanism with 1 working channel **and ratchet** (without illustration)

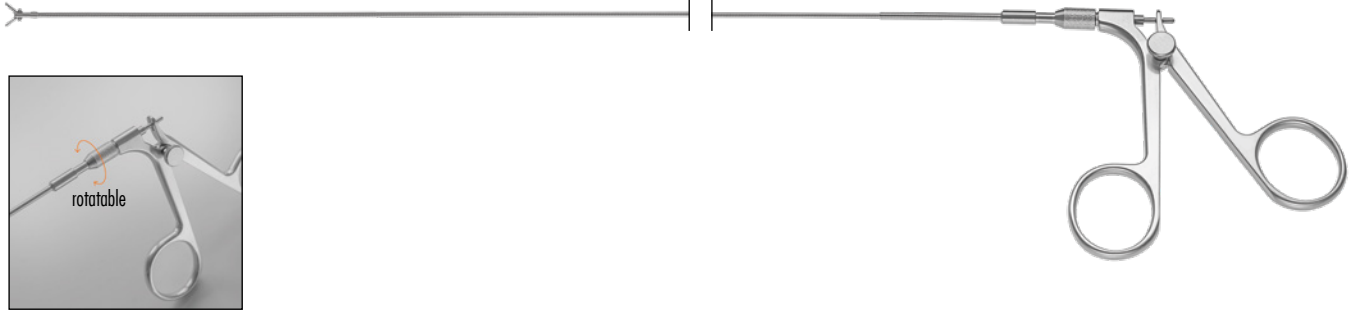


- 253-000-106 Albarran deflecting mechanism with 2 working channels **without ratchet** (without illustration)
- 253-000-108 Albarran deflecting mechanism with 1 working channel **without ratchet**

### Sheath - Instrument combinations

SHEATHS	COLOR	ALBARRAN		BRIDGE	
		1 working channel	2 working channels	1 working channel	2 working channels
25 Charr.	○	1 x 10 Charr.	2 x 8 Charr.	1 x 12 Charr.	2 x 8 Charr.
22 Charr.	●	1 x 9 Charr.	2 x 6 Charr.	1 x 10 Charr.	2 x 7 Charr.
20 Charr.	●	1 x 6 Charr.	2 x 5 Charr.	1 x 7 Charr.	2 x 6 Charr.
19 Charr.	●	1 x 5 Charr.	2 x 4 Charr.	1 x 6 Charr.	2 x 5 Charr.
17 Charr.	●	-	-	1 x 5 Charr.	-

### Flexible Instruments for use with cystoscopes



Working length: 400mm  
Rotatable and detachable



Grasping Forceps, serrated jaws,  
double action

351-114-105\* 5 Charr.  
351-114-107\* 7 Charr.  
351-114-109 9 Charr.



Biopsy Forceps, oval cup,  
double action

351-120-105\* 5 Charr.  
351-120-107\* 7 Charr.  
351-120-109 9 Charr.



Serrated Biopsy Forceps, oval cup  
with aggressive serration, double action

351-124-107 7 Charr.



Scissors, single action

351-100-105\* 5 Charr.  
351-100-107 7 Charr.  
351-100-109 9 Charr.



DJ Forceps, double action

351-107-107 7 Charr.  
351-107-109 9 Charr.



Grasping Forceps, serrated jaw,  
double action, 730mm working length

253-958-105 5 Charr.

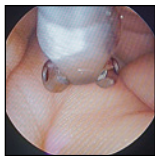
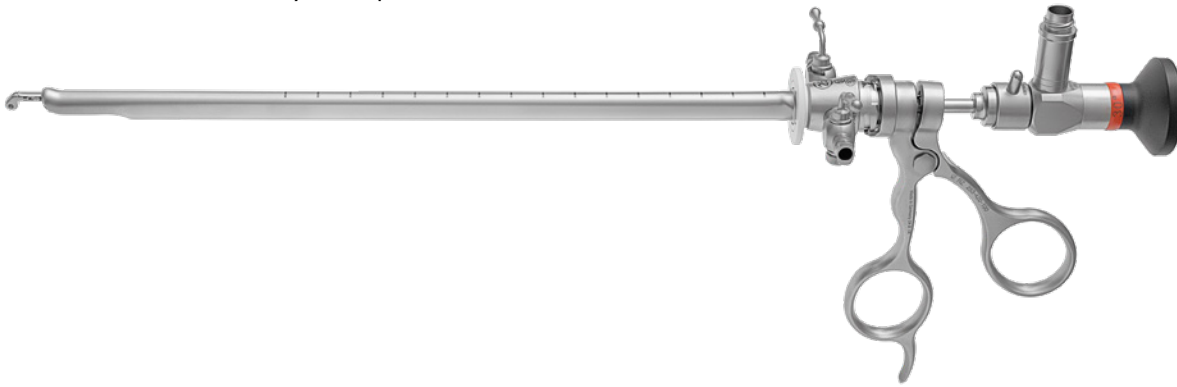


Biopsy Forceps, double action,  
730mm working length

253-957-105 5 Charr.

### OPTICAL FORCEPS

■ for use with Ø 4mm Cystoscopes



Scope is **below** forceps



Scope is **above** Forceps



253-420-100\*  
Spoon Biopsy Forceps with round cup,  
double action



253-426-100\*  
Mini Biopsy forceps with oval cup,  
double action  
for use with 30° cystoscope



253-421-100  
Grasping Forceps with serrated jaws,  
double action



253-431-100\*  
Biopsy forceps with **large** oval cup,  
double action  
for use with 30° cystoscope



253-422-100  
Biopsy Punch Forceps, thru-cutting,  
double action



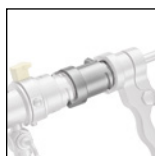
253-425-100  
Biopsy forceps with mini oval cup,  
double action  
for use with 4mm, 70° cystoscope



253-423-100  
Scissors, hook type blades,  
double action

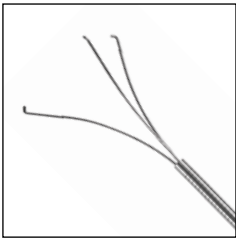


253-427-100\*  
Stent Grasping forceps  
with serrated jaws, double action  
for removal of stents



253-429-100\* Adapter for use of optical forceps with resectoscope sheaths

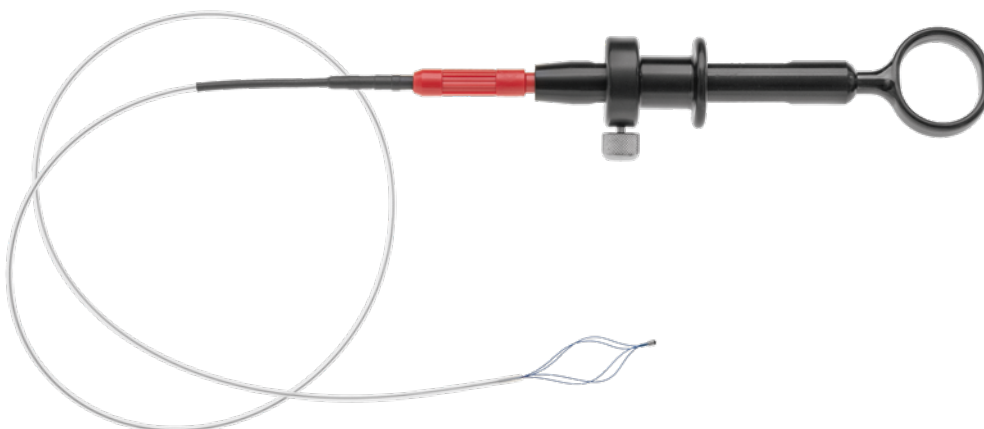
### FLEXIBLE INSTRUMENTS



253-940-005 3-Prongs Grasper, flexible, 600mm working length, 5 Charr.

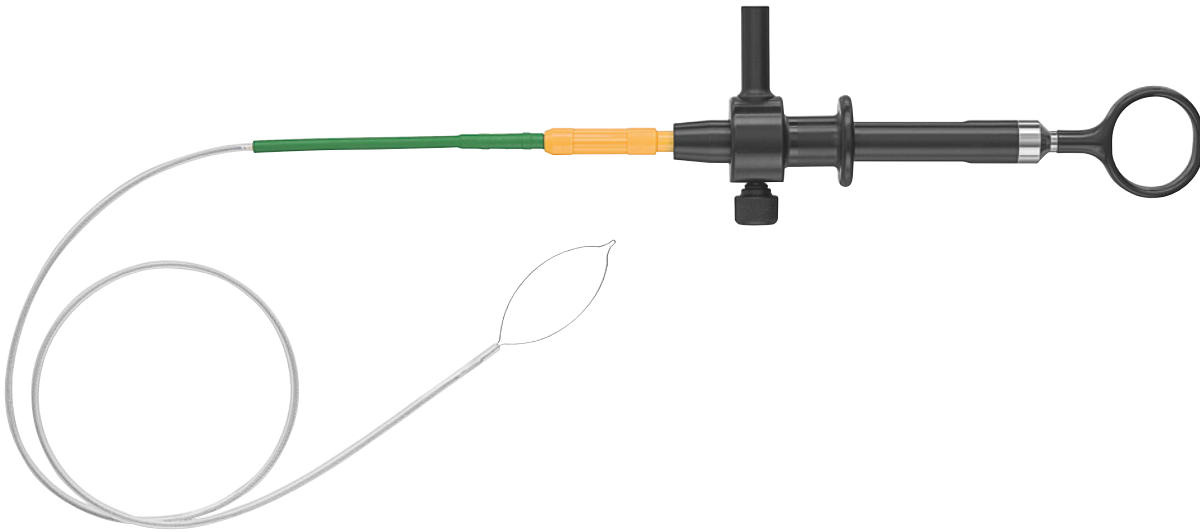


253-585-005 Dormia Metal Stone Basket, flexible, 4 wires, 600mm working length, 5 Charr.



Dormia Nitinol Stone Basket, 600mm working length, 5 Charr.

- 253-581-045 with 4 wires, complete with handle
- 253-582-045 Spare Basket only, 4 wires
- 253-582-055 Spare Basket only, 5 wires
- 253-582-065 Spare Basket only, 6 wires







Polyp Snare with teflon tube, 500mm working length with HF connection, 7 Charr.

253-580-007 with handle, complete  
 253-581-007 Spare Snare only



## FLEXIBLE ELECTRODES

Ball Electrode, 470mm working length

-  253-370-003 3 Charr.
-  253-370-005\* 5 Charr.
-  253-370-007 7 Charr.
-  253-370-010 10 Charr.

Needle Electrode, 470mm working length



- 253-371-003 3 Charr.
- 253-371-005 5 Charr.
- 253-371-007 7 Charr.

Loop Electrode 470mm working length



- 253-372-005 5 Charr.
- 253-372-007 7 Charr.

Ball Electrode, 980mm working length



- 253-370-103 3 Charr.



## HF CABLES

4.5m length

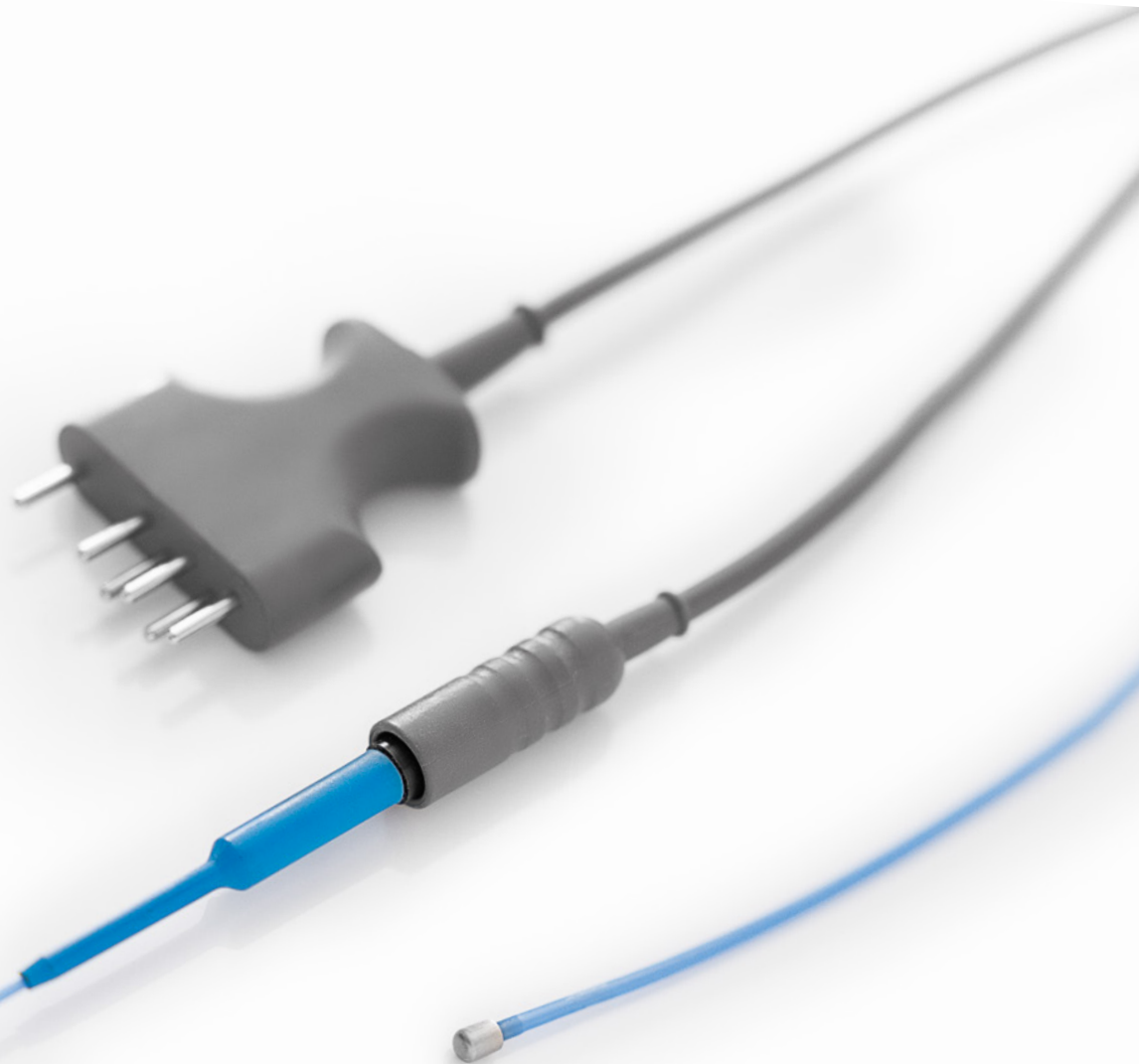
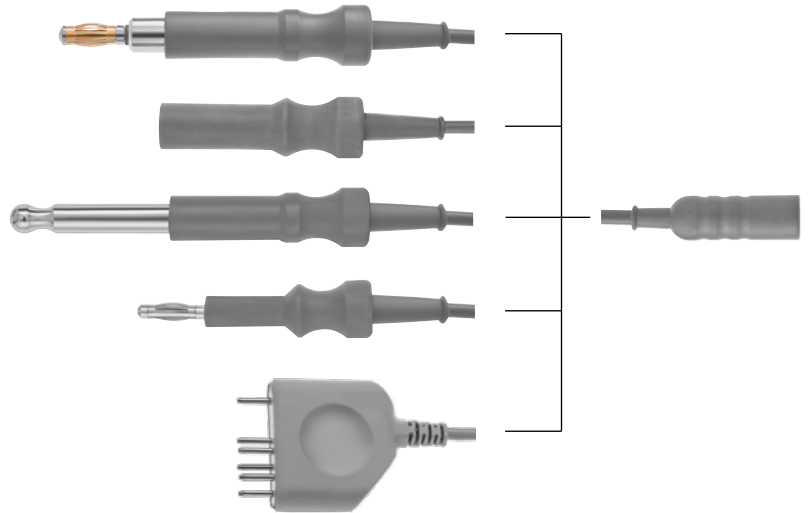
253-610-001\* with 5 mm plug for Erbe HF-unit

253-610-002\* with 4 mm plug for Martin HF-unit

253-610-003\* with 8 mm plug for Valleylab HF-unit

253-610-004\* with 4 mm plug for older HF-units

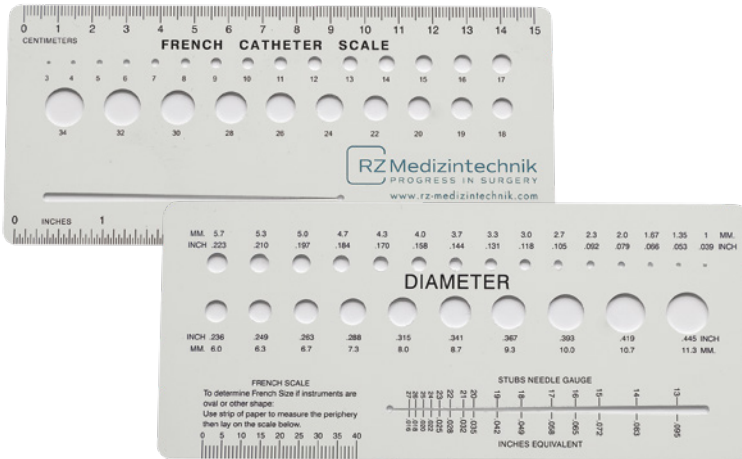
700-501-453\* SDS plug



### CYSTOSCOPY ACCESSORIES



301-701-100\* Grey rubber cap for use on all working channels



253-990-800 French Catheter Scale



Cleaning Brush, flexible

253-961-103  $\varnothing$  3mm, 100mm length,  
for use in 2.0 - 2.6mm working channels

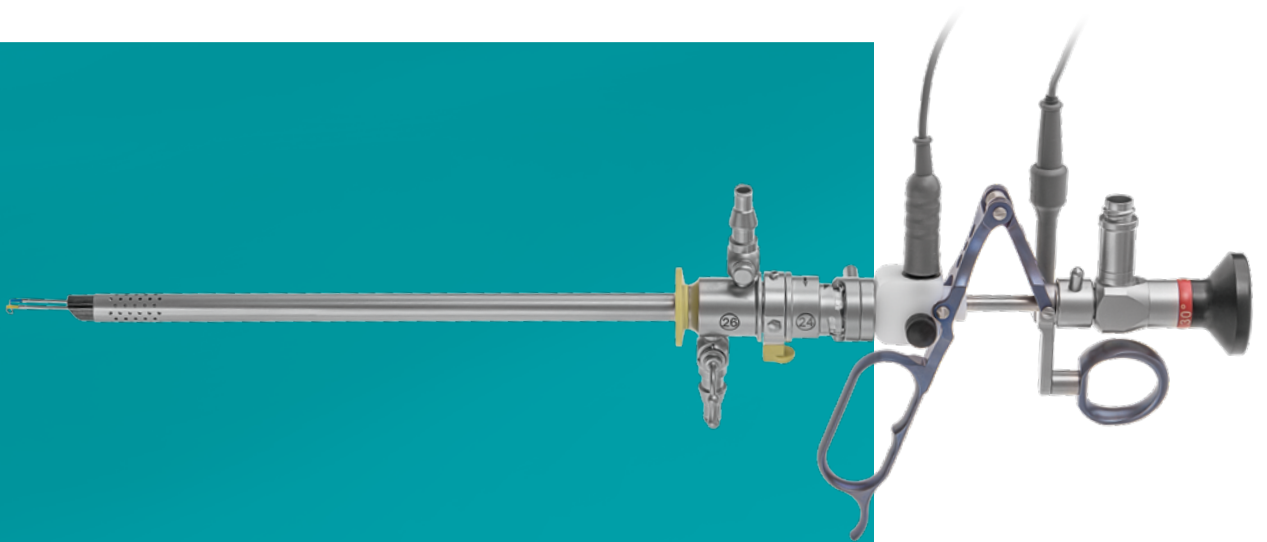
253-961-102  $\varnothing$  2.5mm, 120mm length,  
for 5 Charr. working channels



300-215-000

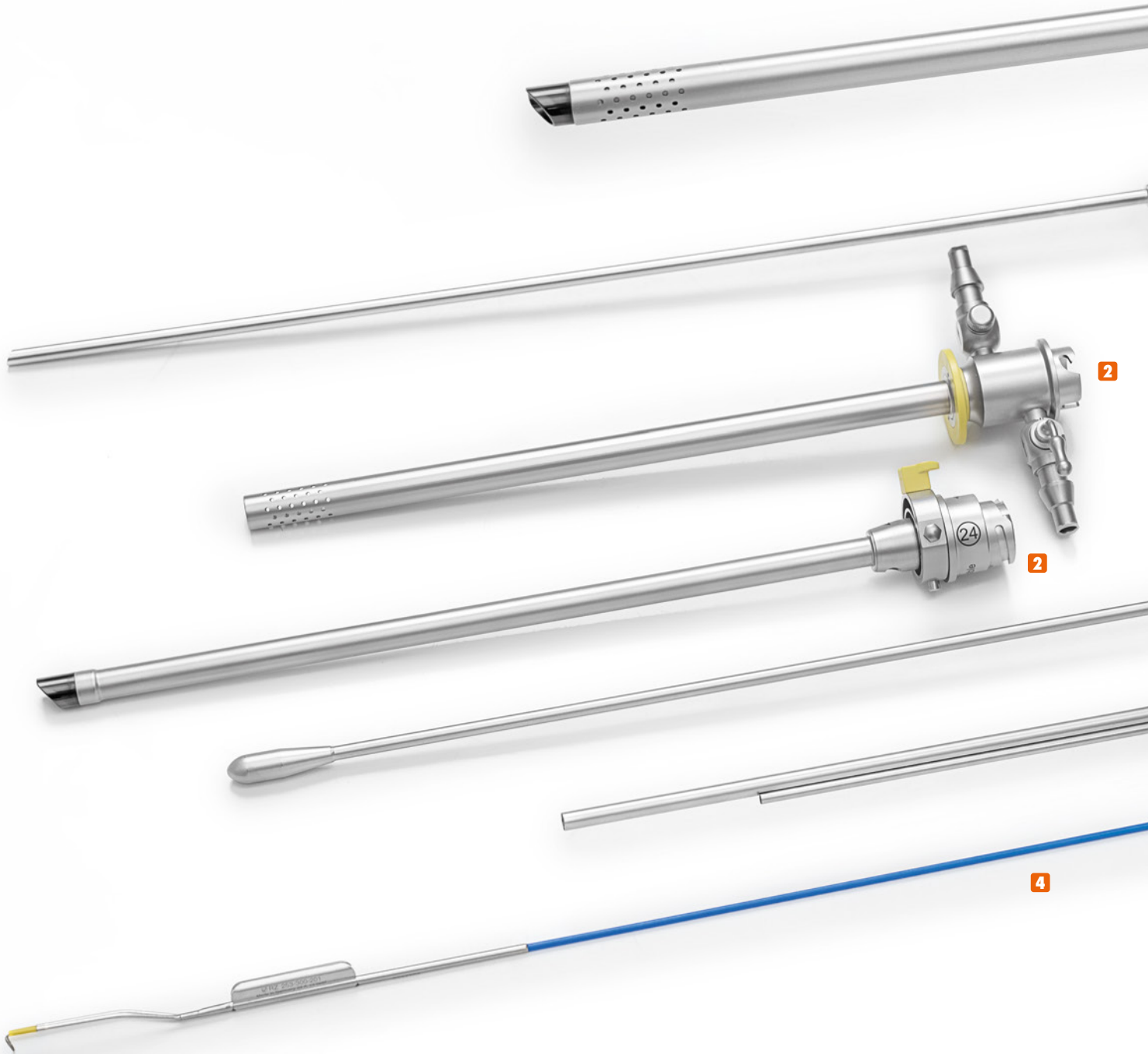
Cleaning Brush,  $\varnothing$  13mm, 60mm brush length, 230mm overall length

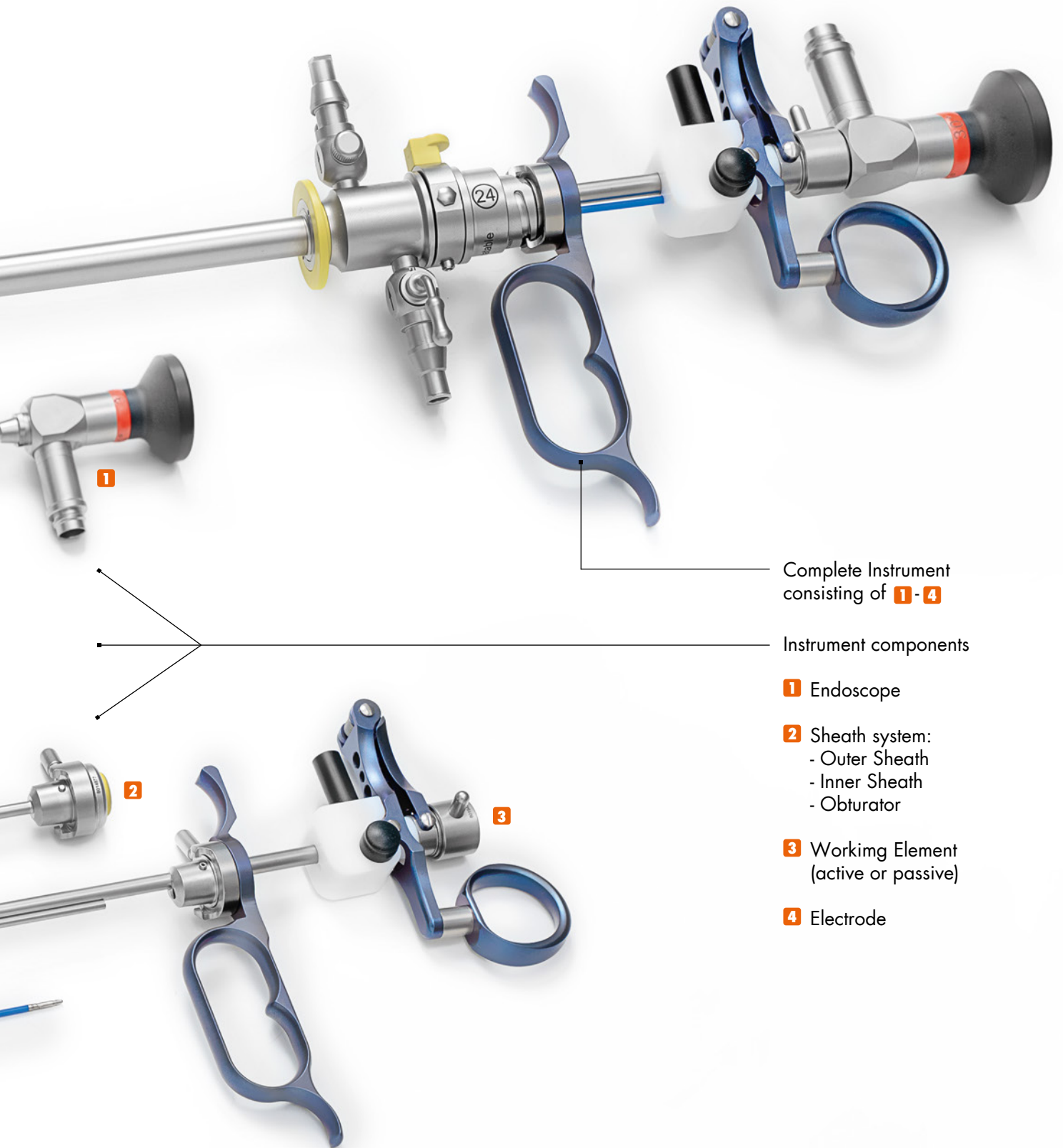
# RESECTOSCOPY



## RZ RESECTOSCOPY SETS

Transurethral resection of the prostate (TURP) is a common surgery for BPH (Benign Prostate Hyperplasia). During TURP, the prostate is visualized through the urethra and tissue is removed using electric current. A monopolar or bipolar resectoscope is inserted transurethral and the enlarged prostatic tissue is removed with cutting and sealing electrodes.





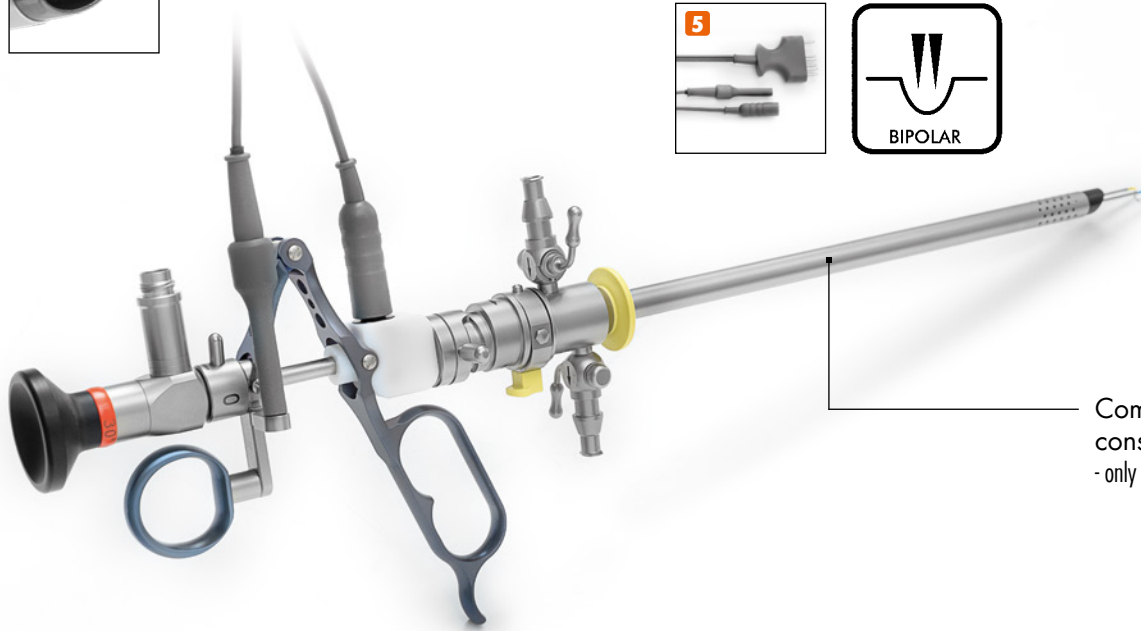
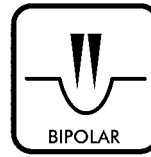
Complete Instrument  
consisting of **1-4**

Instrument components

- 1** Endoscope
- 2** Sheath system:
  - Outer Sheath
  - Inner Sheath
  - Obturator
- 3** Working Element  
(active or passive)
- 4** Electrode



### RZ **HYBRID** RESECTOSCOPY SYSTEM

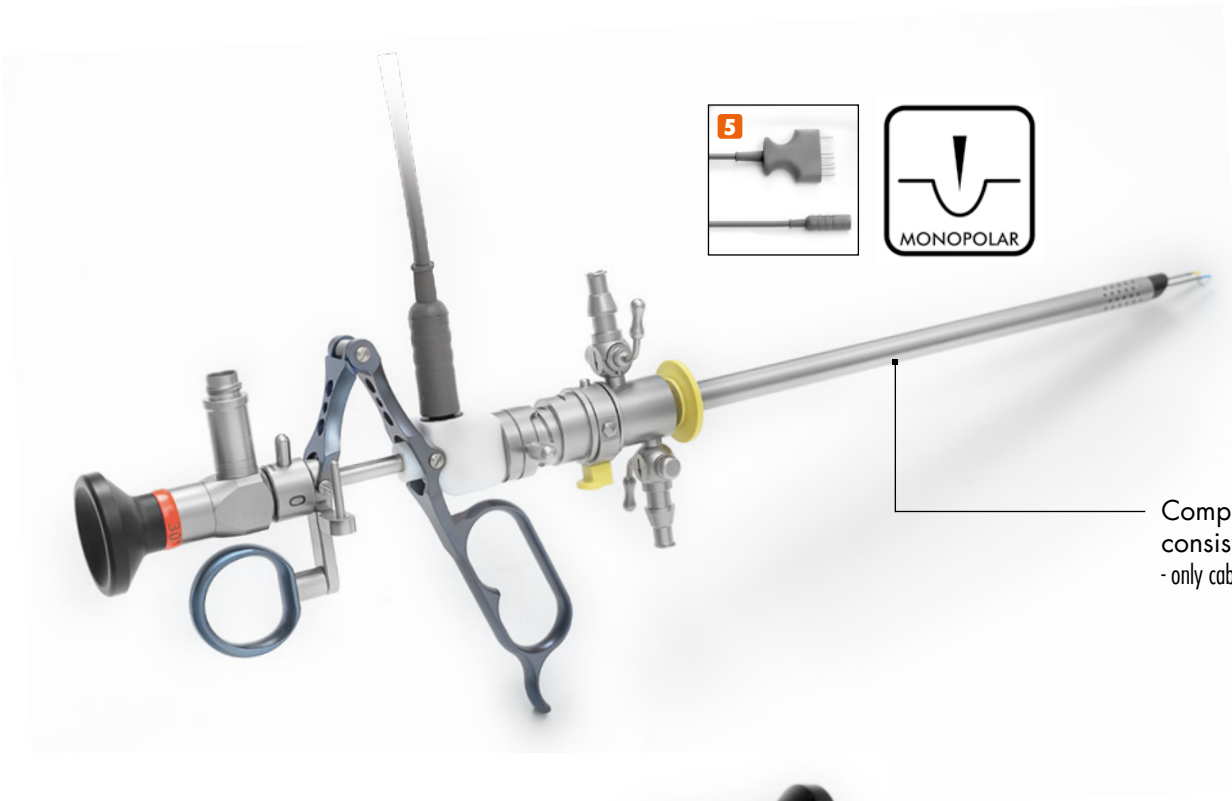


Complete Instrument consisting of **1-5**  
- only cable needs to be changed

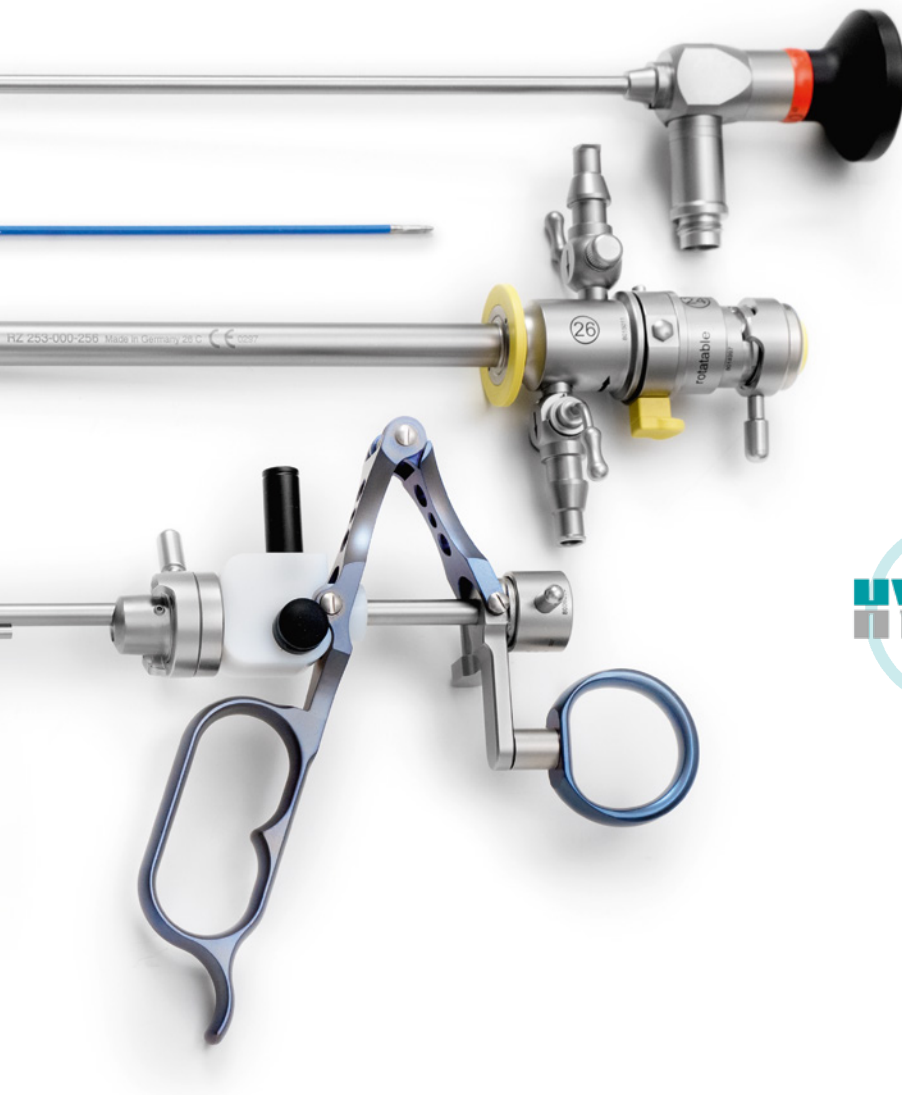
#### Instrument components

- 1** Endoscope
- 2** Hybrid Electrode
- 3** Sheath system:
  - Outer Sheath
  - Inner Sheath
  - Obturator
- 4** Working Element (active or passive)
- 5** Monopolar / Bipolar Cable





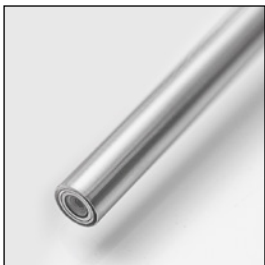
Complete Instrument consisting of **1-5**  
- only cable needs to be changed



**ONE** set  
**TWO** techniques



Endoscopes, suitable for 24 Charr. System



**0° DIRECTION OF VIEW**  
 300mm working length    253-804-000\*  
 356mm overall length



**12° DIRECTION OF VIEW**  
 300mm working length    253-804-012\*  
 356mm overall length

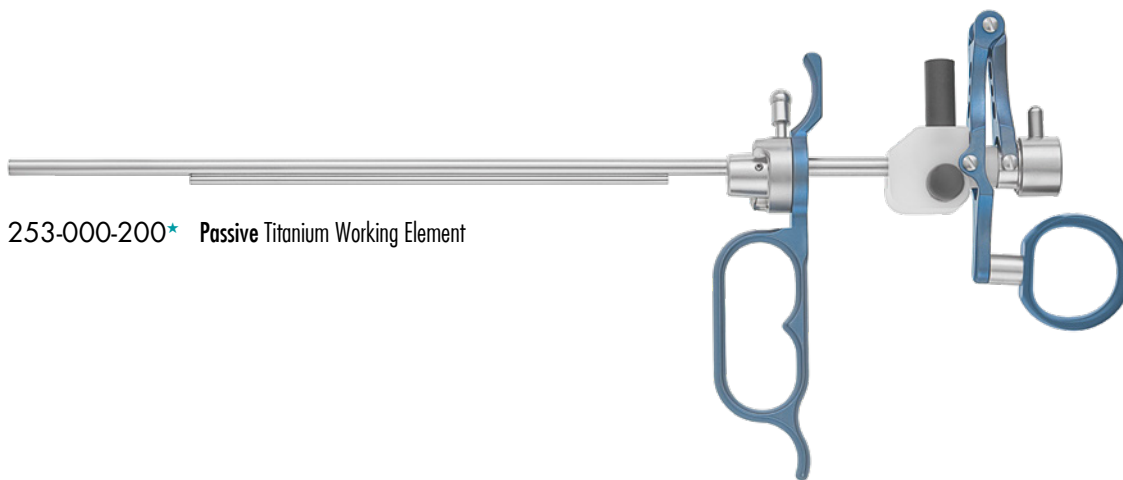


**30° DIRECTION OF VIEW**  
 300mm working length    253-804-030\*  
 356mm overall length

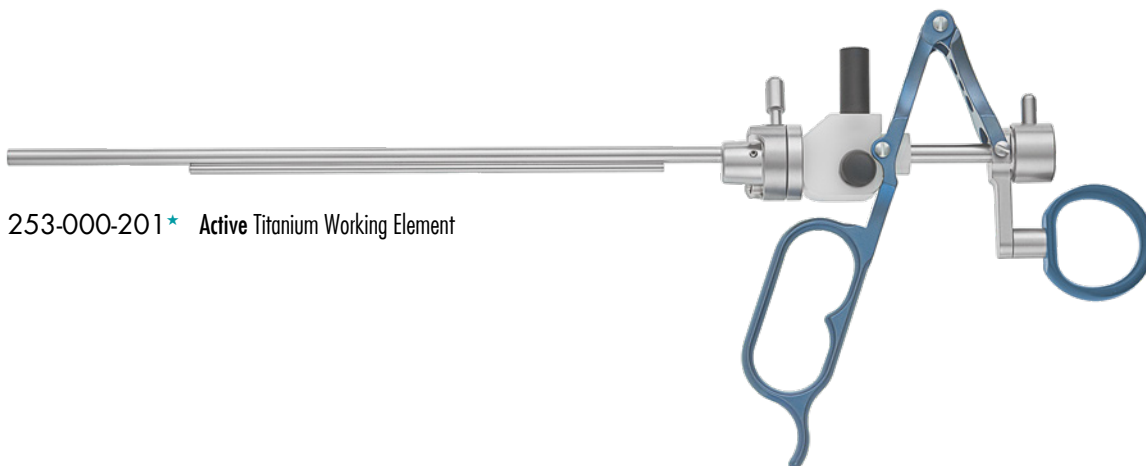


Monopolar working elements suitable for 24 Charr. System

- Lightweight, titanium handle parts
- Ergonomic handle design with finger rest and rotating titanium thumb ring



253-000-200\* **Passive** Titanium Working Element



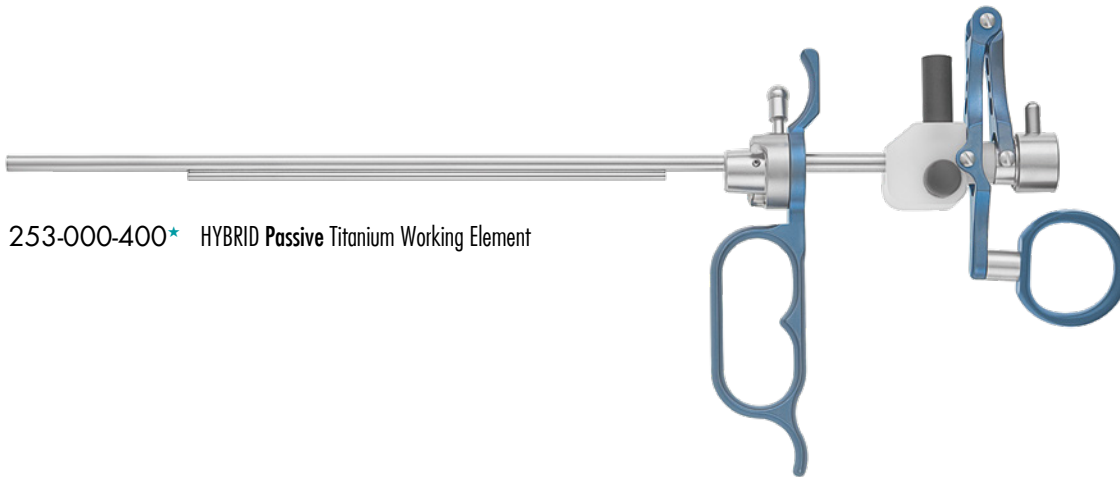
253-000-201\* **Active** Titanium Working Element

**24**  
**CHARR.**

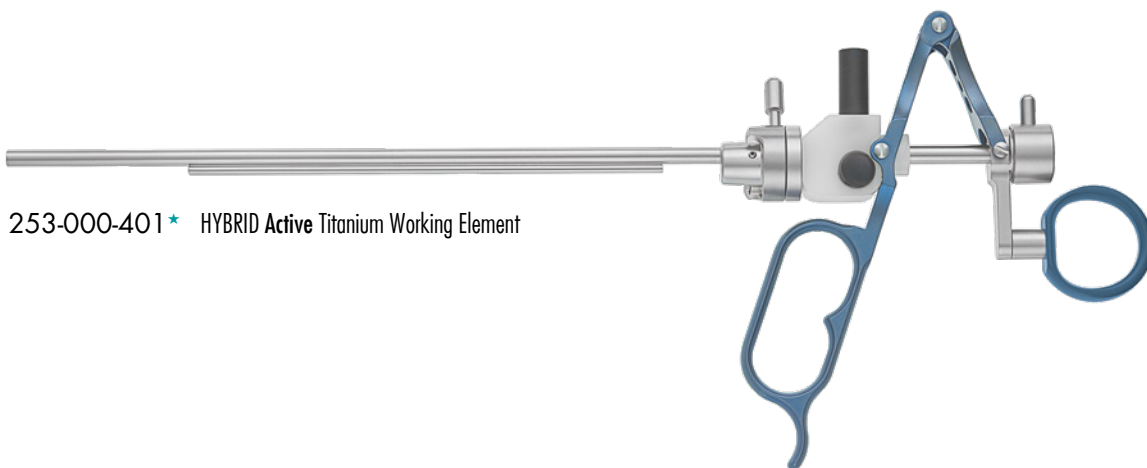
**HYBRID**  
**HYBRID**



Working elements suitable for HYBRID 24 Charr. system  
with bipolar and monopolar cable connection



253-000-400\* HYBRID Passive Titanium Working Element

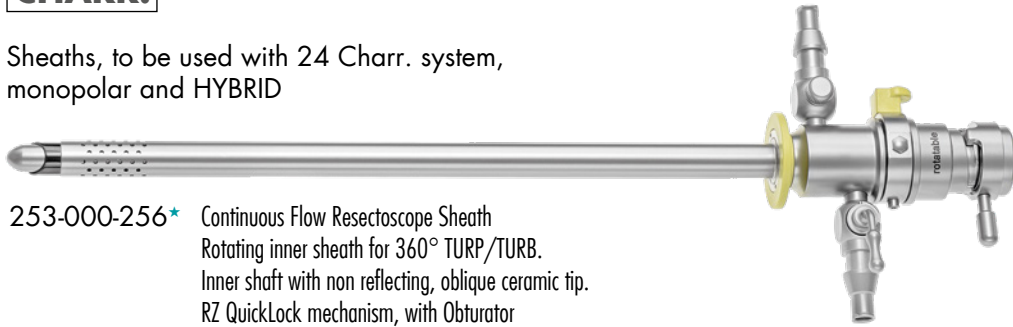


253-000-401\* HYBRID Active Titanium Working Element

### 24 CHARR.

Sheaths, to be used with 24 Charr. system,  
monopolar and HYBRID

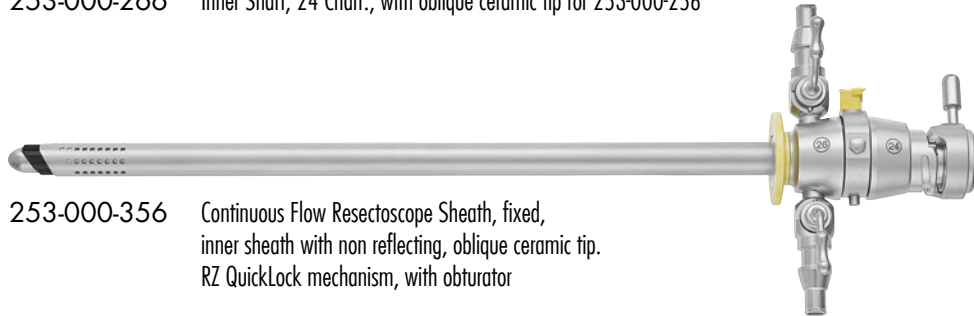
253-000-256\* Continuous Flow Resectoscope Sheath  
Rotating inner sheath for 360° TURP/TURB.  
Inner shaft with non reflecting, oblique ceramic tip.  
RZ QuickLock mechanism, with Obturator



253-000-266 Inner Shaft, 24 Charr., with oblique ceramic tip for 253-000-256



253-000-356 Continuous Flow Resectoscope Sheath, fixed,  
inner sheath with non reflecting, oblique ceramic tip.  
RZ QuickLock mechanism, with obturator



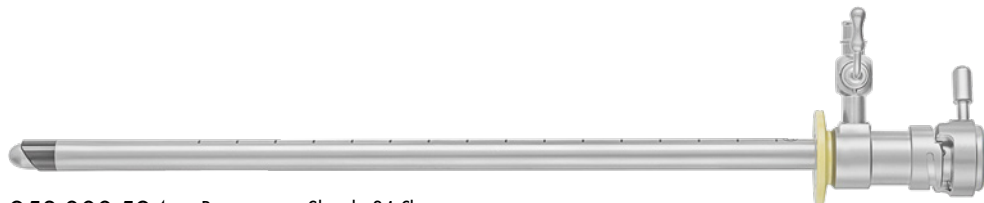
253-000-366 Inner Shaft with oblique ceramic tip, for 253-000-356



253-000-724 Central Valve Resectoscope Sheath, 24 Charr.,  
oblique ceramic tip, with obturator



253-000-524 Resectoscope Sheath, 24 Charr.  
oblique ceramic tip, with obturator



253-428-500 Adapter for resectoscope outer sheaths  
253-000-256 and -356  
and Ellik or bladder syringes



**24**  
**CHARR.**

Obturator, to be used with 24 Charr. system,  
monopolar and HYBRID



253-000-044\* Standard Obturator, for 24/26 Charr. resectoscope sheaths



253-000-054\* Deflecting Obturator, for 24/26 Charr. resectoscope sheaths



253-000-084\* Visual Obturator for 4mm RZ Cystoscopes,  
for 24/26 Charr. resectoscope sheaths



253-000-094\* Visual Obturator with 5 Charr. working channel,  
for 4mm RZ Cystoscopes, for 24/26 Charr. resectoscope sheaths

**24**  
**CHARR.**



Electrodes, to be used with  
24 Charr. system



Cutting Loop, angled, for 12°/30° telescope

253-300-201\*



Cutting Loop, 90° angled, for 0° telescope

253-300-222



Cutting Loop, straight in longitudinal direction

253-300-202



Coagulation Electrode, pointed

253-300-203\*



Coagulation Electrode, conical

253-300-204



Coagulation Electrode, ball shape, Ø 3mm

253-300-205\*



Coagulation Electrode, ball shape, Ø 5mm

253-300-206\*



Coagulation Electrode, roller shape, Ø 3mm

253-300-207



Coagulation Electrode, roller shape, Ø 5mm

253-300-208



Electrodes, to be used with  
24 Charr. system



Spike Electrode, Ø 3mm

253-300-210



Spike Electrode, Ø 5mm

253-300-209



Roller-Electrode, Ø 3mm

253-300-212



Roller-Electrode, Ø 5mm

253-300-211



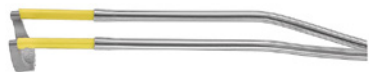
Band Vapor Electrode, 1.2 mm width

253-300-213



Band Vapor Electrode, 90° angled

253-300-214



Band Vapor Electrode

253-300-215



Curette, sharp, for use without HF



253-300-218



Needle Electrode

253-300-219

**24**  
**CHARR.**



Sterile disposable Electrodes,  
to be used with 24 Charr. system



**STERILE EO**

Sales unit: package with 6 pieces,  
each individually sterile packed.



Cutting Loop, angled, for 12°/30° telescope

253-300-201S\*



Collins knife electrode

253-300-203S\*



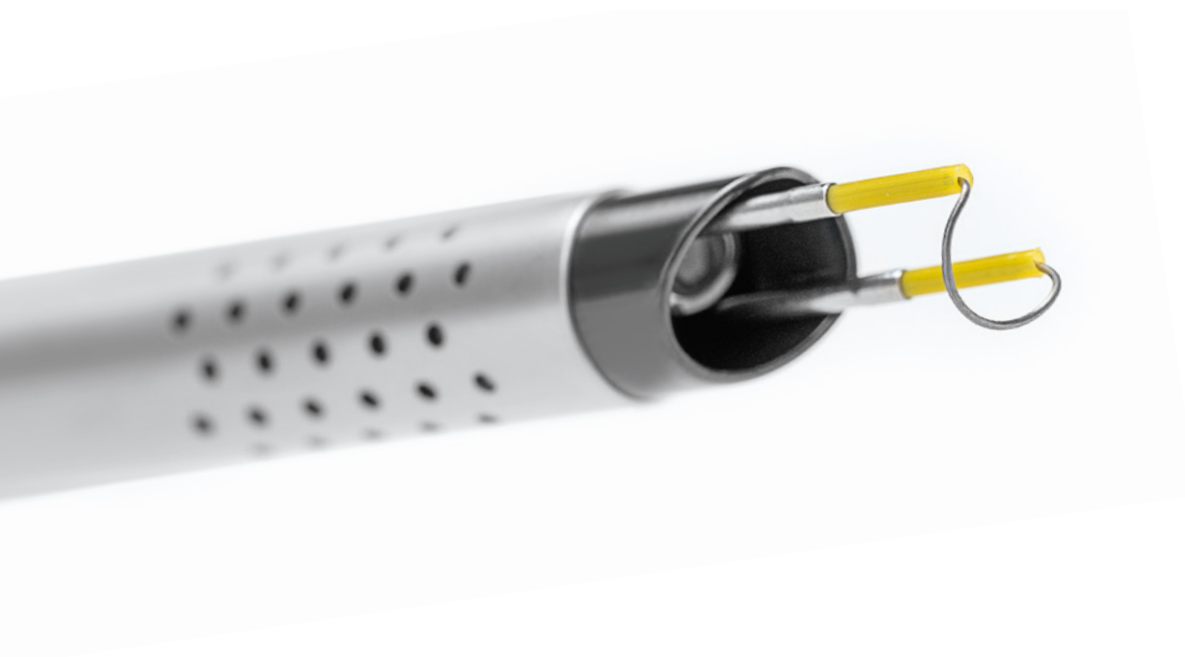
Ball electrode, Ø 3mm

253-300-205S\*



Ball electrode, Ø 5mm

253-300-206S\*



**24**  
CHARR.

**HYBRID**  
HYBRID



HYBRID Electrodes, to be used with 24 Charr. system

- Works in bipolar and monopolar mode
- Made of a standard wire of  $\varnothing$  0.35mm



Cutting Loop, angled, for 12°/30° telescope

253-400-200



Cutting Loop, angled, for 12°/30° telescope

253-400-201\*  
253-400-201S (sterile)



Cutting Loop, thick wire, angled, for 12°/30° telescope

253-400-202



Collins Coagulation Electrode, pointed

253-400-203\*  
253-400-203S (sterile)



Coagulation Electrode, conical

253-400-204



Coagulation Electrode, ball shape,  $\varnothing$  3mm

253-400-205\*  
253-400-205S (sterile)



Roller-Electrode,  $\varnothing$  3mm

253-400-211



Cutting Loop, 90° angled, for 0° telescope

253-400-222



Coagulation Electrode, ball shape,  $\varnothing$  5mm

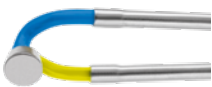
253-400-206

**24**  
**CHARR.**

**HYBRID**  
**HYBRID**

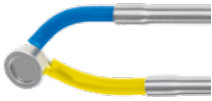


HYBRID „Mushroom“ Electrodes, to be used with 24 Charr. system, only for bipolar use with NaCl



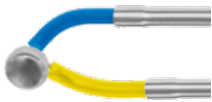
„Mushroom“ Electrode, blunt/flat

253-400-701



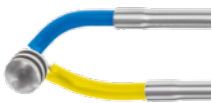
„Mushroom“ Electrode, blunt with slot, concave

253-400-702



„Mushroom“ Electrode, half-round (convex), Ø 3mm, length 1.9mm

253-400-703



„Mushroom“ Electrode, half-round (convex), Ø 3mm, length 2.5mm

253-400-704



253-300-999★ Storage container for knives and electrodes, metal, perforated



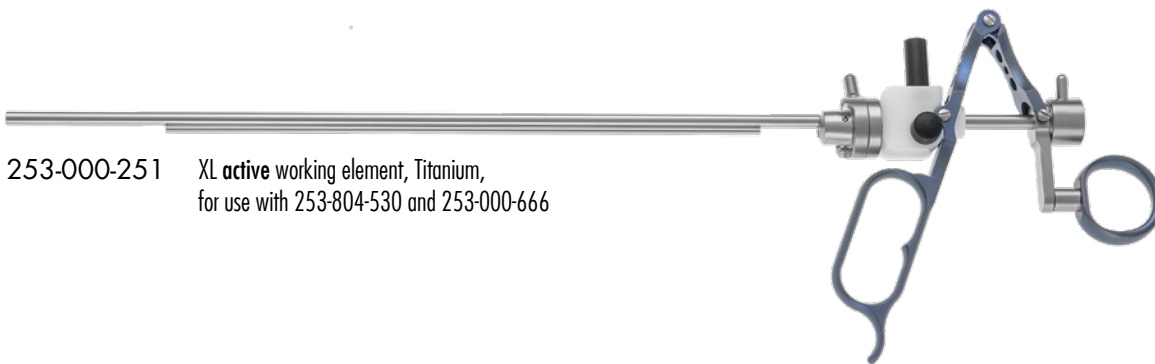


### XL RESECTOSCOPE

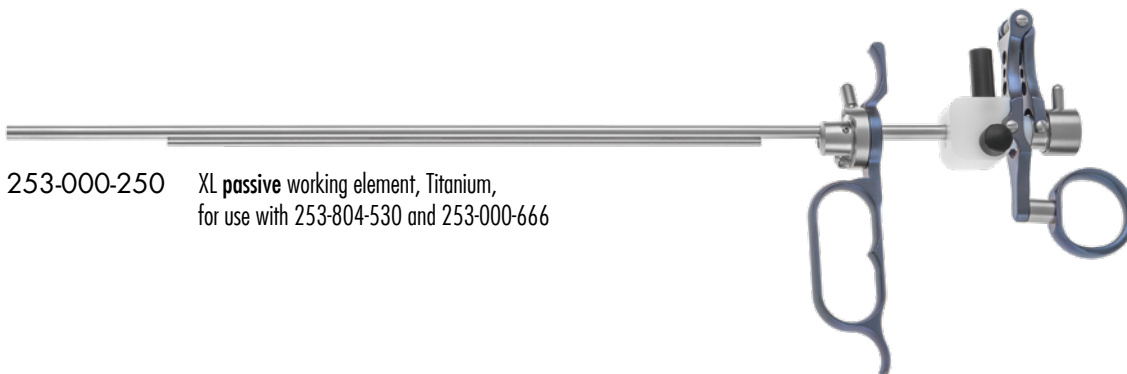
◀ 245mm working length ▶



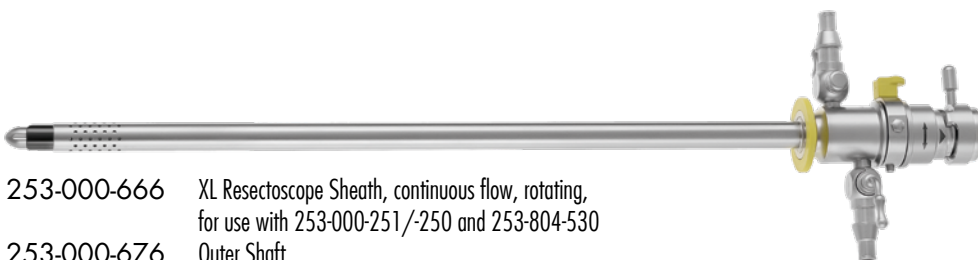
253-804-530 XL Cystoscope, Ø 4mm, 30° direction of view, 365mm length



253-000-251 XL active working element, Titanium, for use with 253-804-530 and 253-000-666



253-000-250 XL passive working element, Titanium, for use with 253-804-530 and 253-000-666

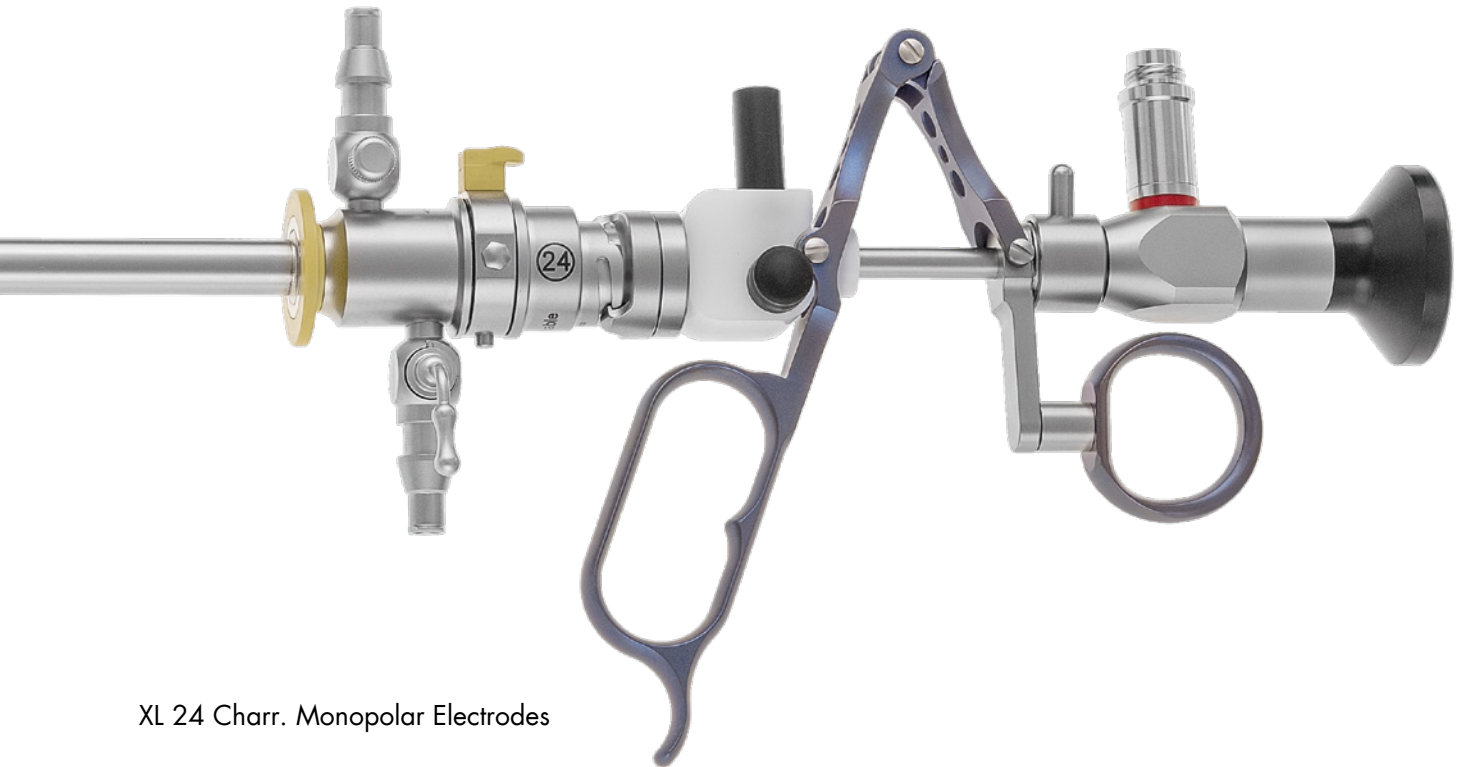


253-000-666 XL Resectoscope Sheath, continuous flow, rotating, for use with 253-000-251/-250 and 253-804-530


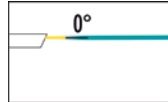

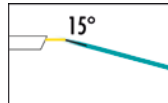

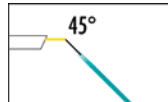

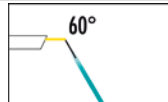

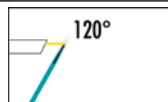


253-000-676 Outer Shaft

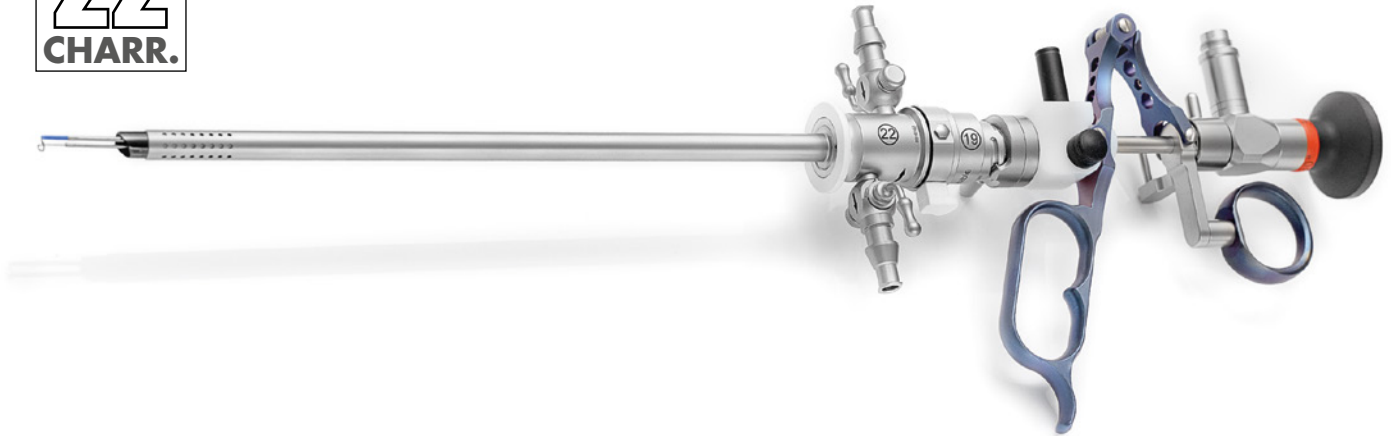
253-000-677 Inner Shaft

253-000-678 Obturator



XL 24 Charr. Monopolar Electrodes

	Cutting Loop, straight		253-300-252
	Cutting Loop, 15° angled		253-300-253
	Cutting Loop, 45° angled		253-300-255
	Cutting Loop, 60° angled		253-300-256
	Cutting Loop, 120° angled		253-300-251
	Roller Electrode		253-300-258
	Kife Electrode		253-300-259



Endoscopes, suitable for HYBRID 22 Charr. System



**0° DIRECTION OF VIEW**  
 300mm working length  
 356mm overall length  
 253-829-000



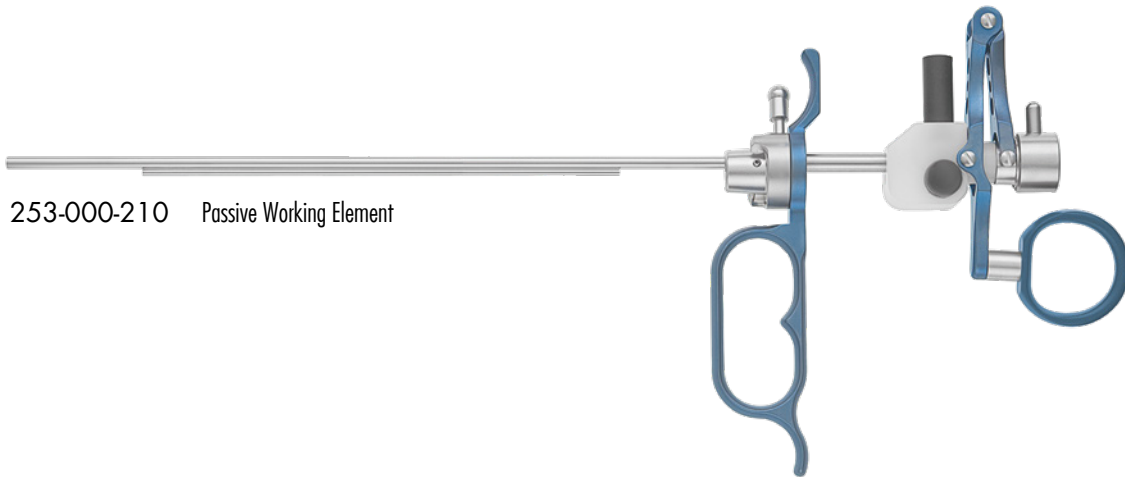
**12° DIRECTION OF VIEW**  
 300mm working length  
 356mm overall length  
 253-829-012



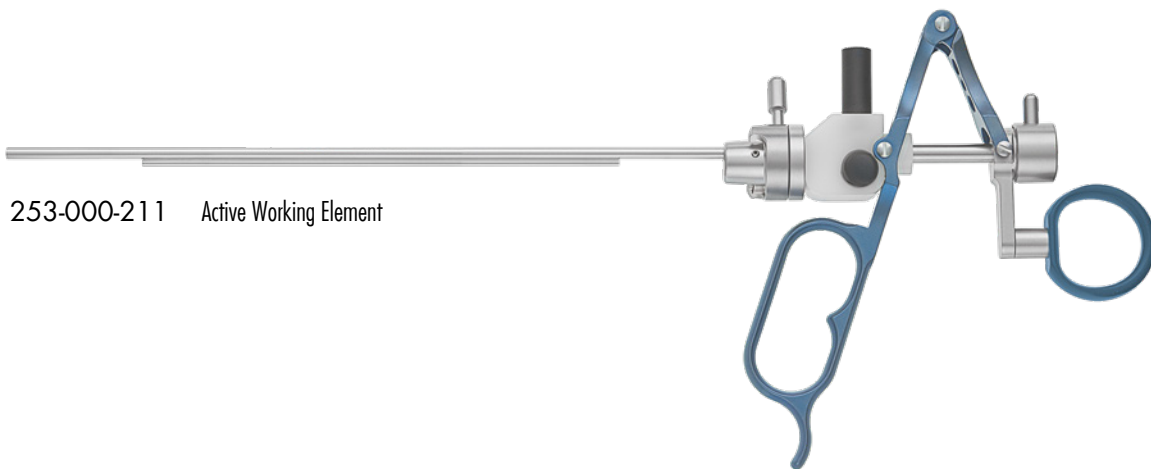
**30° DIRECTION OF VIEW**  
 300mm working length  
 356mm overall length  
 253-829-030



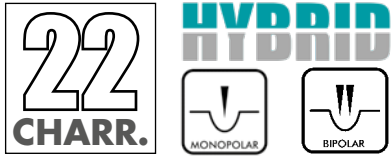
### Monopolar Working Elements



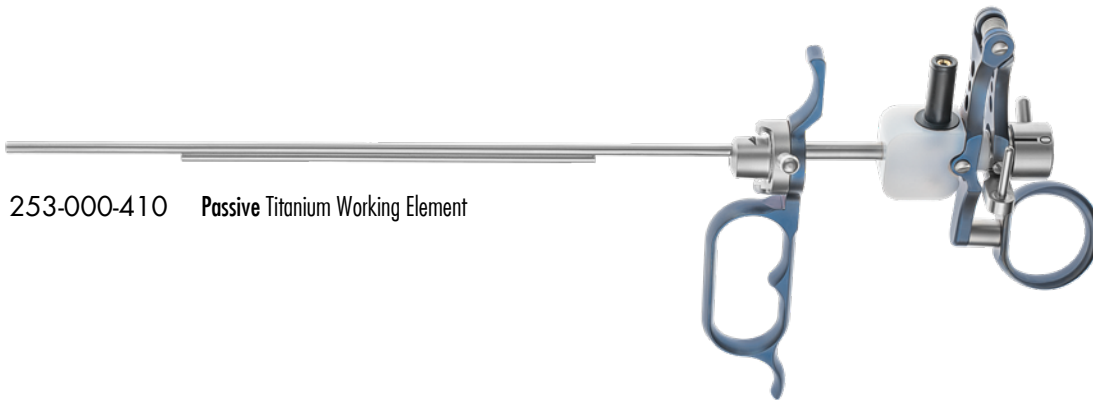
253-000-210 Passive Working Element



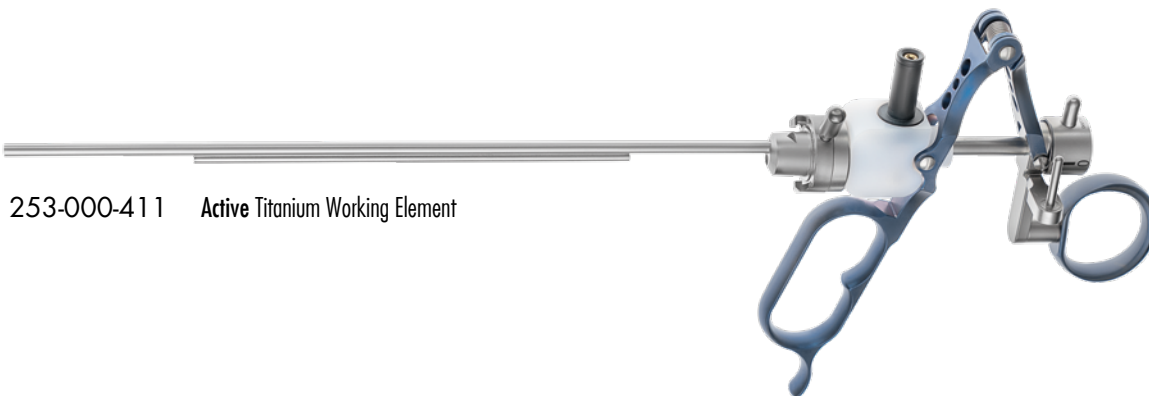
253-000-211 Active Working Element



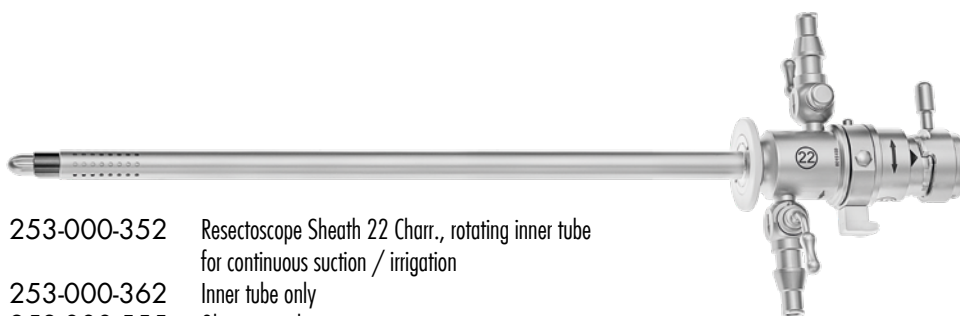
Hybrid Working Elements and Sheath suitable for HYBRID 22 Charr. System



253-000-410 **Passive** Titanium Working Element








253-000-411 **Active** Titanium Working Element









253-000-352 Resectoscope Sheath 22 Charr., rotating inner tube for continuous suction / irrigation  
 253-000-362 Inner tube only  
 253-000-555 Obturator only



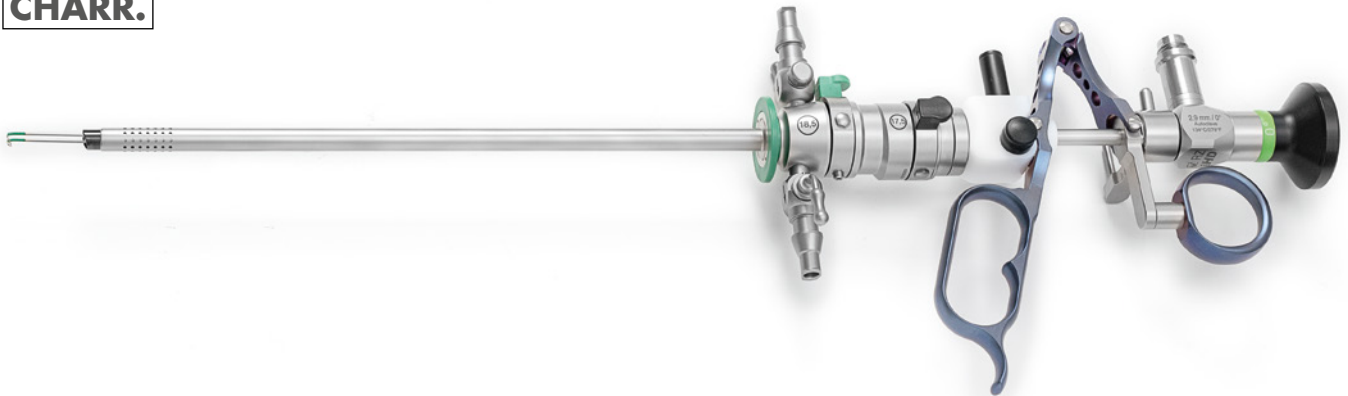
Monopolar Electrodes, suitable for HYBRID 22 Charr. System

	Cutting Loop, angled	253-000-501
	Cutting Loop, straight	253-000-502
	Coagulation Electrode, Knife	253-000-503
	Coagulation Electrode, Ball	253-000-505
	Coagulation Electrode, Roller	253-000-507

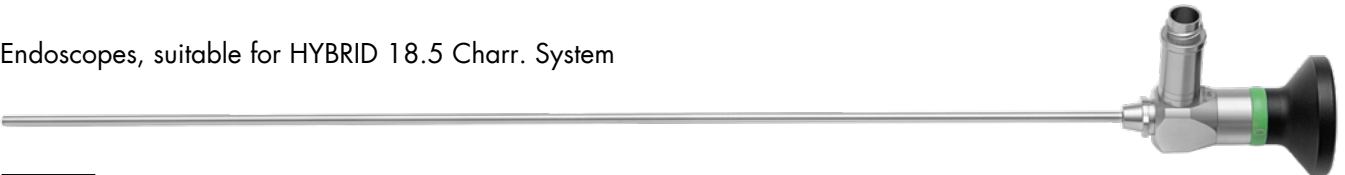
Electrodes, suitable for HYBRID 22 Charr. System **HYBRID**

		
	Cutting Loop, 30° angled	253-000-541 253-000-541S (sterile)
	Cutting loop, straight	253-000-542
	Knife Electrode	253-000-543 253-000-543S (sterile)
	Ball Electrode	253-000-545 253-000-545S (sterile)
	Roller Electrode, Ø 3mm	253-000-547

**18.5**  
**CHARR.**



Endoscopes, suitable for HYBRID 18.5 Charr. System



∅  
2.9 mm



**0°** DIRECTION OF VIEW  
300mm working length  
356mm overall length    253-829-000



**12°** DIRECTION OF VIEW  
300mm working length  
356mm overall length    253-829-012



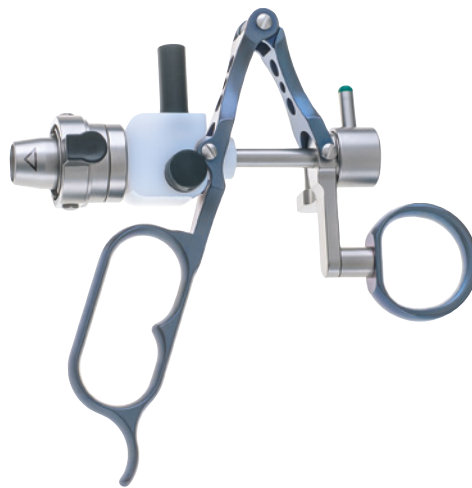
**30°** DIRECTION OF VIEW  
300mm working length  
356mm overall length    253-829-030



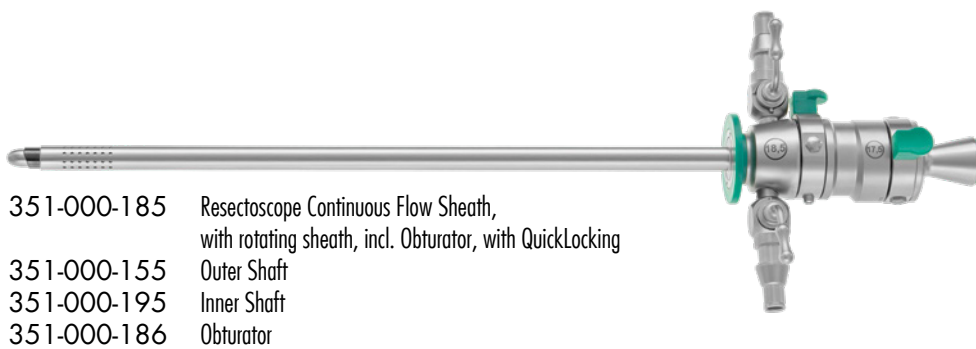
Working Elements and Sheaths,  
suitable for HYBRID 18.5 Charr. System



351-400-200    Passive Titanium Working Element



351-400-201    Active Titanium Working Element



- 351-000-185    Resectoscope Continuous Flow Sheath,  
with rotating sheath, incl. Obturator, with QuickLocking
- 351-000-155    Outer Shaft
- 351-000-195    Inner Shaft
- 351-000-186    Obturator



351-000-180    Visual Obturator, with 5 Charr. working channel



Electrodes, 16 Charr., suitable for HYBRID 18.5 Charr. System



Cutting Loop

351-000-201  
351-000-201S (sterile)



Cutting loop, straight

351-000-202



Cutting loop, straight

351-000-203  
351-000-203S (sterile)



Ball Electrode

351-000-205  
351-000-205S (sterile)



Roller Electrode, 2mm

351-000-206



### HIGH FREQUENCY CABLES for RZ resectoscope systems, 4.5m length



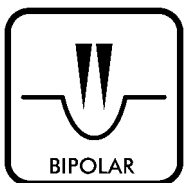
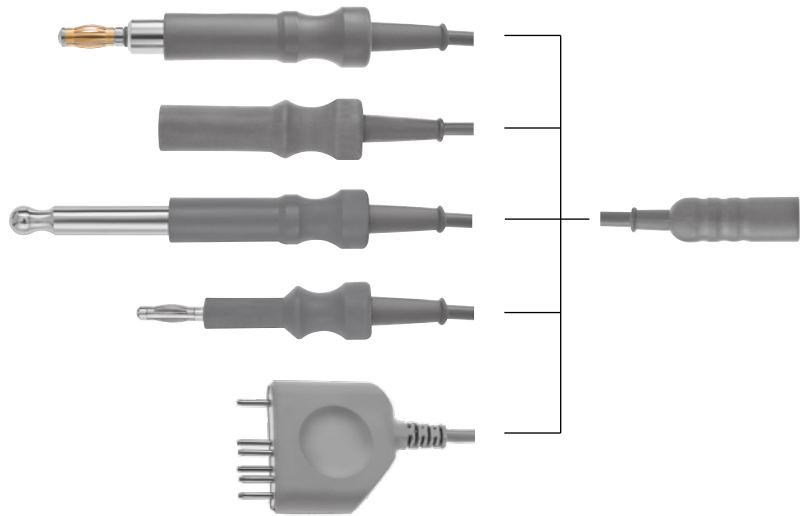
253-610-001\* with 5 mm plug for Erbe HF-unit

253-610-002\* with 4 mm plug for Martin HF-unit

253-610-003\* with 8 mm plug for Valleylab HF-unit

253-610-004\* with 4 mm plug for older HF-units

700-501-453\* SDS plug

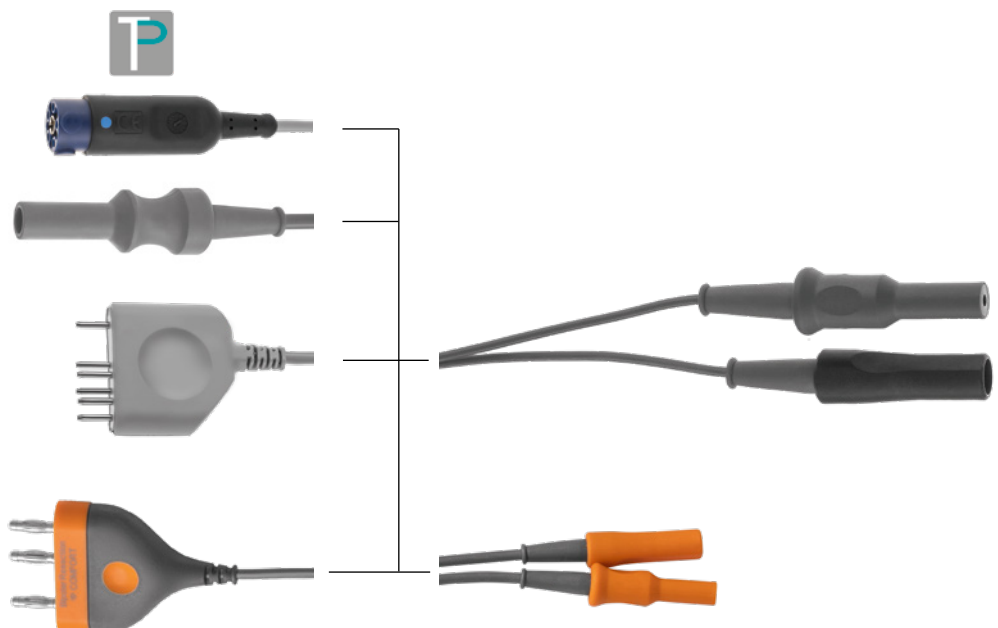


253-400-601 for Erbe HF-unit

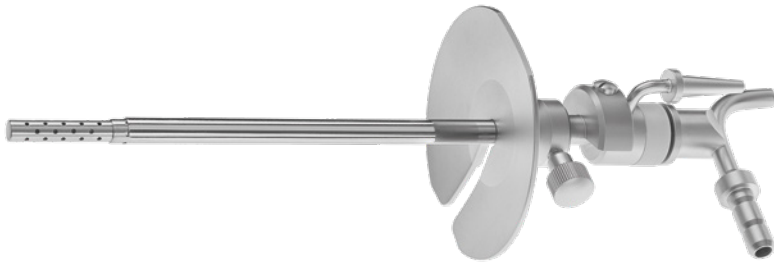
253-400-602 for Martin HF-unit

700-500-453 SDS plug

253-400-606 for BOWA



### SUPRAPUBIC TROCAR SET



253-400-501 Trocar Sheath, 16 Charr., with pressure channel and spare silicone sealings



253-400-503 Suprapubic Trocar with pyramidal tip



253-400-504 Suprapubic Trocar with cannula tip



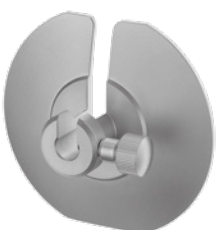
253-400-505 Aspiration Cannula



253-400-506 Overflow Cannula

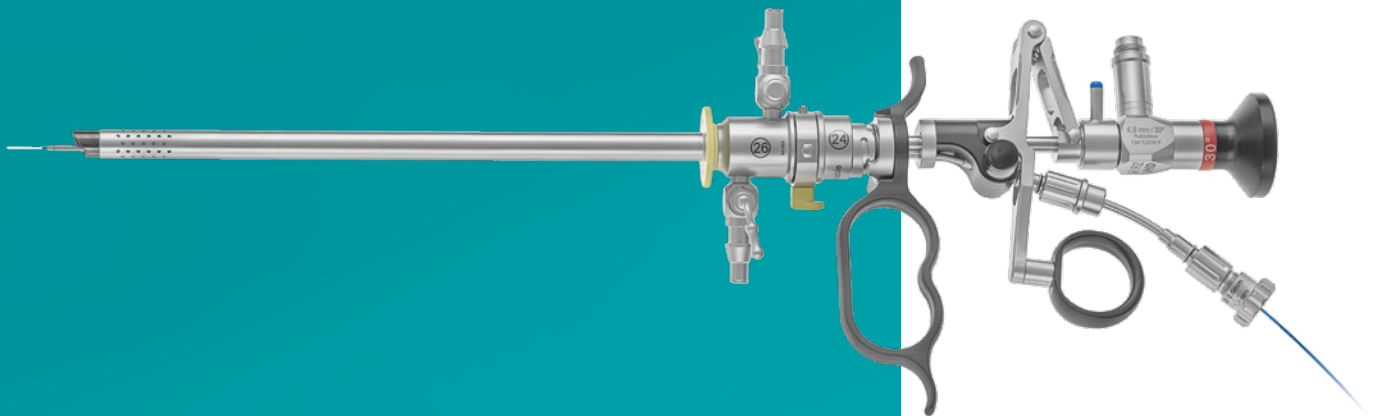


253-400-508 Trocar guide sheath, lateral open



253-400-502 Suprapubic Trocar Stabilizing Plate, lateral open

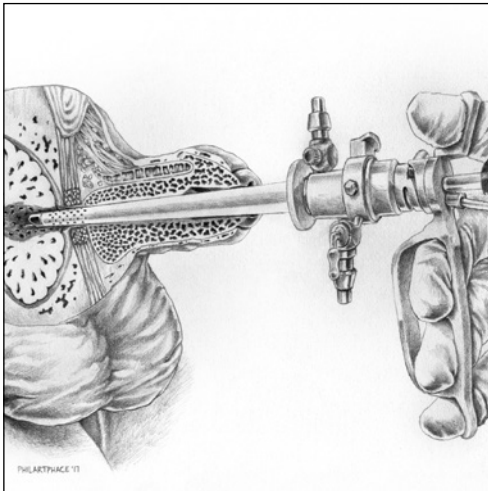
# LASER ENUCLEATION



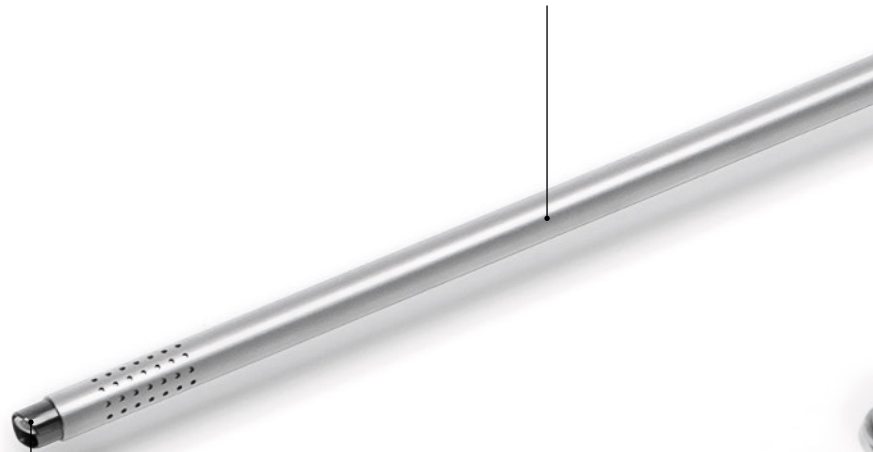
## LASER ENUCLEATION

Holmium laser prostate surgery is a minimally invasive treatment for Benign Prostate Hyperplasia (BPH). Laser enucleation of the prostate uses a laser resectoscope to enucleate the prostate tissue that is blocking urine flow. A morcellator which passes through the morcescope is then used to cut the prostate and remove the adenoma.

As with other types of prostate laser surgery, Laser enucleation can offer faster recovery, less risk of bleeding and transfusion and better symptom relief compared to traditional prostate surgery.

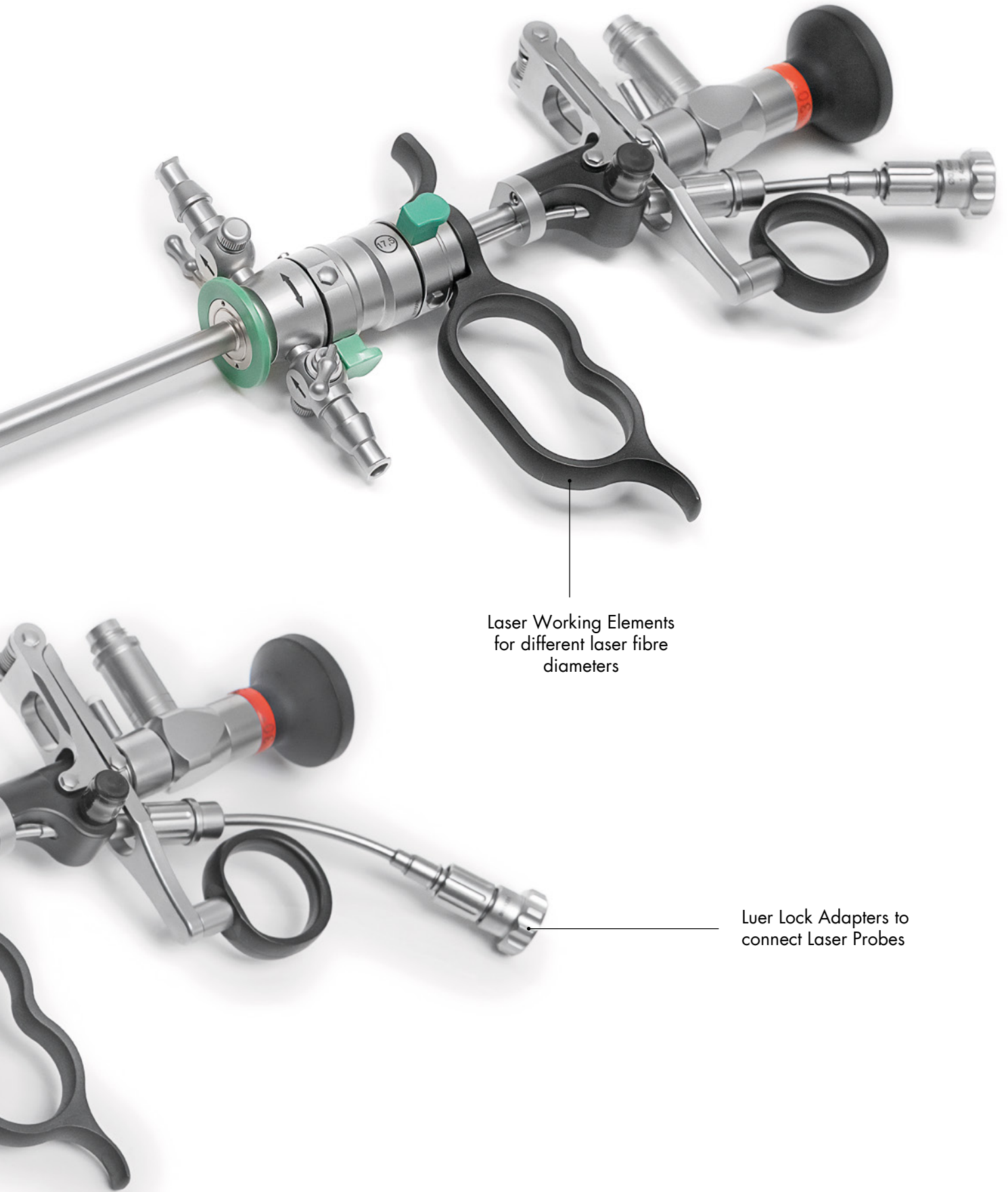


Sheaths for Laser applications  
from 26 to 18.5 Charr.



Front Fire Laser resection



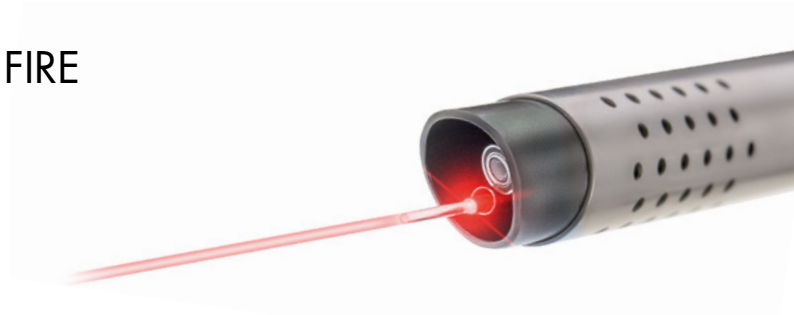


Laser Working Elements  
for different laser fibre  
diameters

Luer Lock Adapters to  
connect Laser Probes

### LASER ENUCLEATION SETS FRONT FIRE

HoLEP / ThuLEP / Overview



**24**  
CHARR.

**22**  
CHARR.

**18.5**  
CHARR.



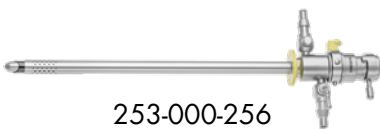
253-804-000 0°  
253-804-012 12°  
253-804-030 30°



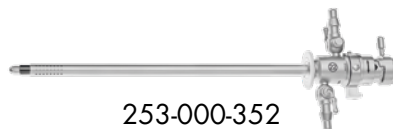
253-829-000 0°  
253-829-012 12°  
253-829-030 30°



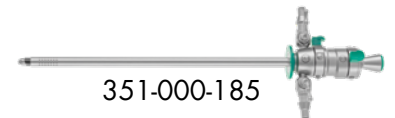
253-829-000 0°  
253-829-012 12°  
253-829-030 30°



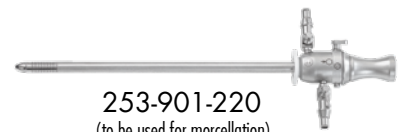
253-000-256



253-000-352



351-000-185



253-901-220  
(to be used for morcellation)



253-000-300 fibers up to 0.8mm  
253-000-312 fibers up to 1.2mm



253-000-319 fibers up to 0.8mm  
253-000-316 fibers up to 1.2mm



253-000-318 fibers up to 0.8mm



253-000-305



253-900-121



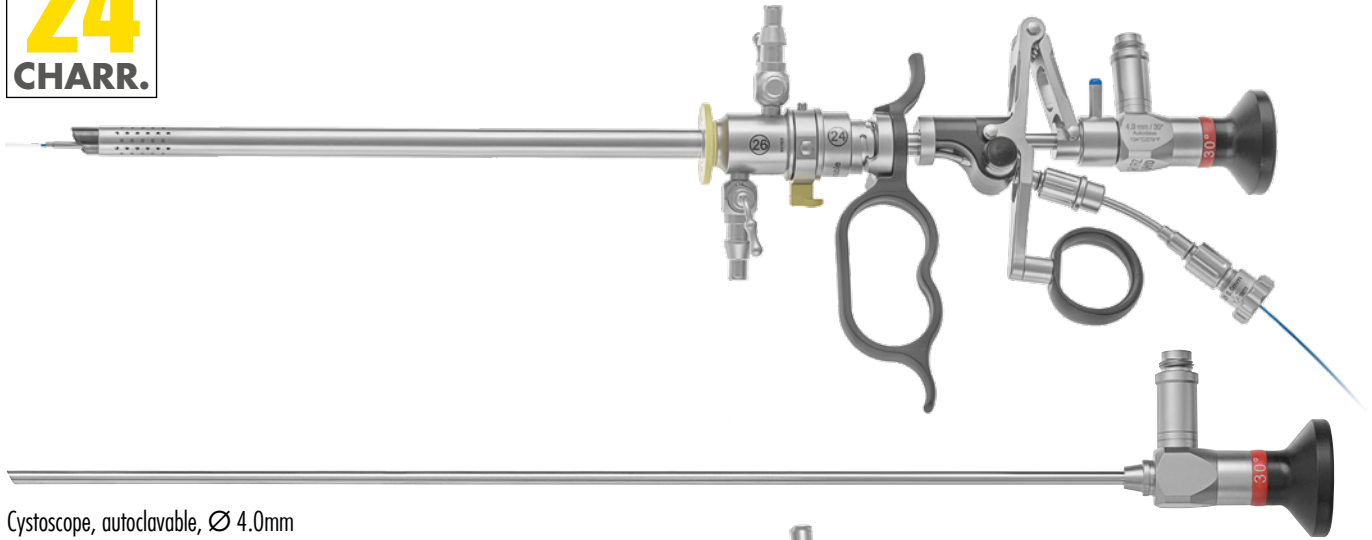
253-905-220



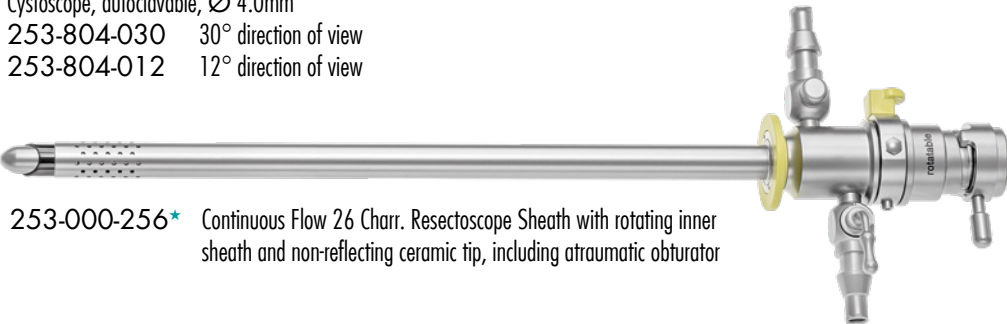
253-905-220

**24**  
**CHARR.**

### HoLEP Set



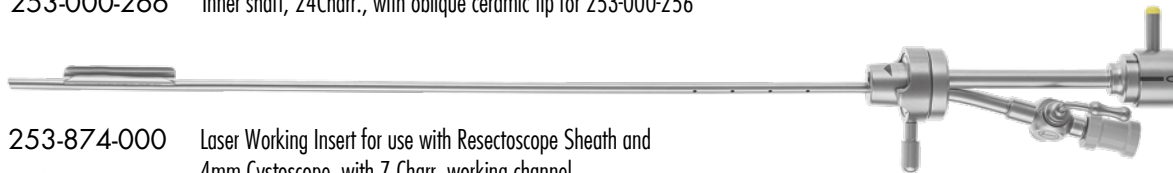
Cystoscope, autoclavable, Ø 4.0mm  
 253-804-030 30° direction of view  
 253-804-012 12° direction of view



253-000-256\* Continuous Flow 26 Charr. Resectoscope Sheath with rotating inner sheath and non-reflecting ceramic tip, including atraumatic obturator



253-000-266 Inner shaft, 24Charr., with oblique ceramic tip for 253-000-256



253-874-000 Laser Working Insert for use with Resectoscope Sheath and 4mm Cystoscope, with 7 Charr. working channel



RZ Laser Working Element, passive, for laser-probes  
 253-000-300 for fibres up to 0.8mm  
 253-000-312\* for fibres up to 1.2mm



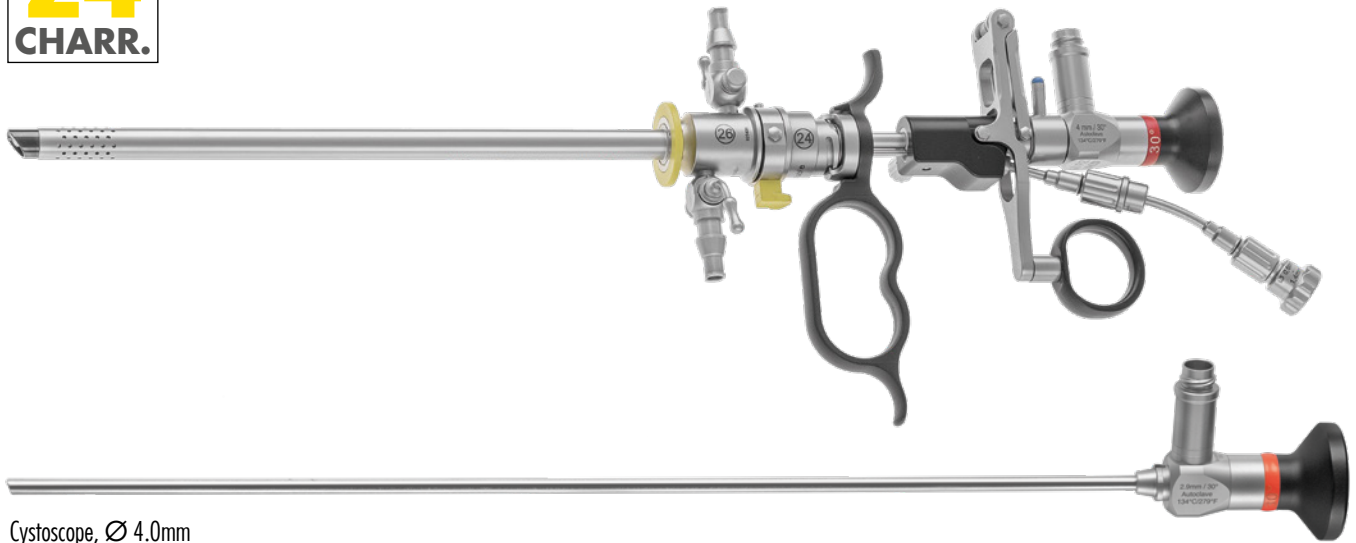
300-011-184\* Luer-Lock Tuohy Borst Adapter (Ø 0.6 - 1.4mm)



RZ LL-Connection, rotatable for use with Laser Probe  
 253-000-301\* short  
 253-000-302 long

**24**  
**CHARR.**

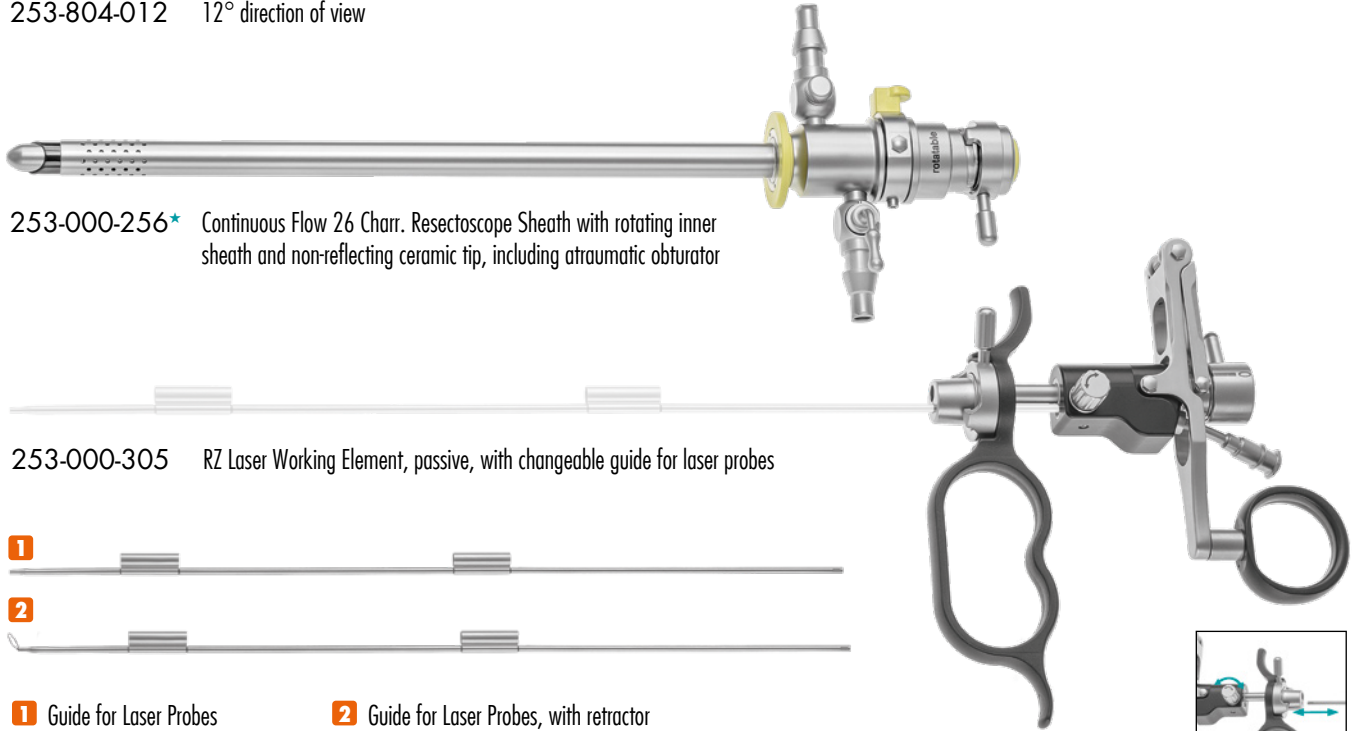
### HoLEP Set



Cystoscope, Ø 4.0mm

253-804-030 30° direction of view

253-804-012 12° direction of view



253-000-256\* Continuous Flow 26 Charr. Resectoscope Sheath with rotating inner sheath and non-reflecting ceramic tip, including atraumatic obturator

253-000-305 RZ Laser Working Element, passive, with changeable guide for laser probes



**1** Guide for Laser Probes

253-000-320 0.8mm

253-000-321 1.0mm

253-000-322 1.2mm

253-000-323 1.4mm

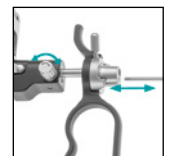
**2** Guide for Laser Probes, with retractor

253-000-330 0.8mm

253-000-331 1.0mm

253-000-332 1.2mm

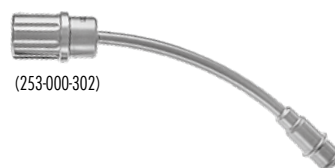
253-000-333 1.4mm



detachable



300-011-184\* Luer-Lock Tuohy Borst Adapter (Ø 0.6 - 1.4mm)



(253-000-302)

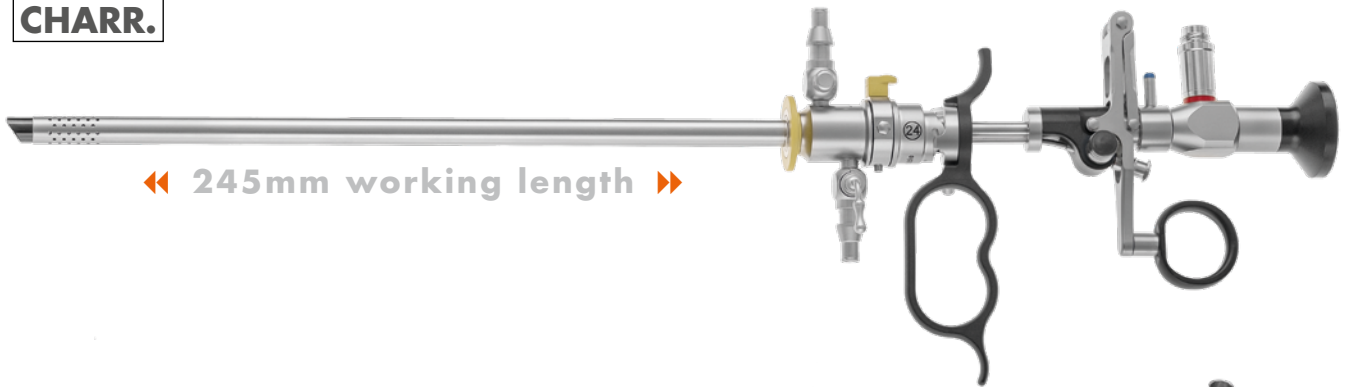
RZ LL-Connection, rotatable for use with Laser Probe

253-000-301\* short

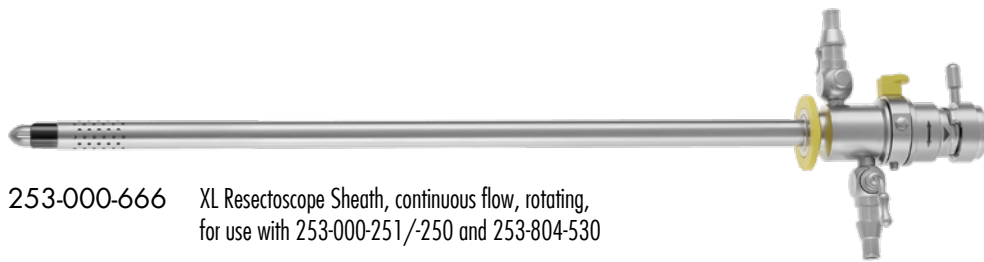
253-000-302 long

**24**  
**CHARR.**

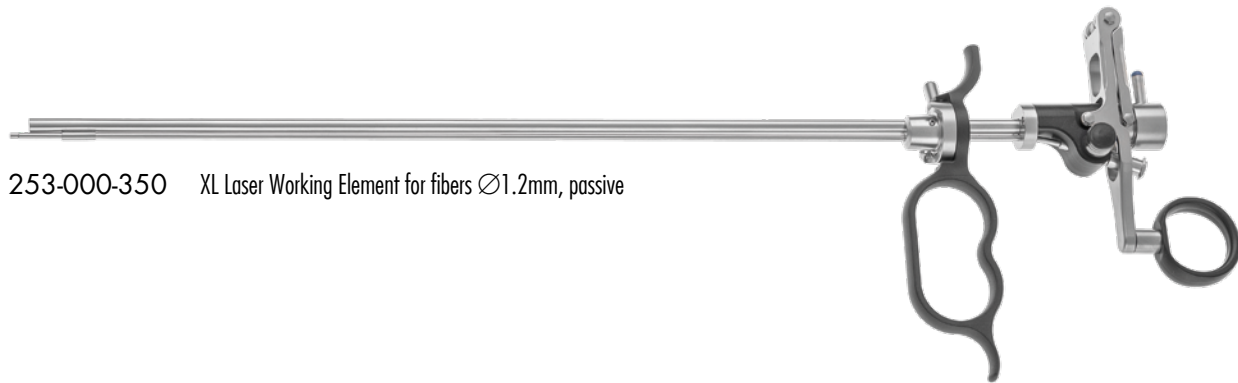
### XL Laser Resection



253-804-530 XL Cystoscope, Ø 4mm, 30° direction of view, 365mm length



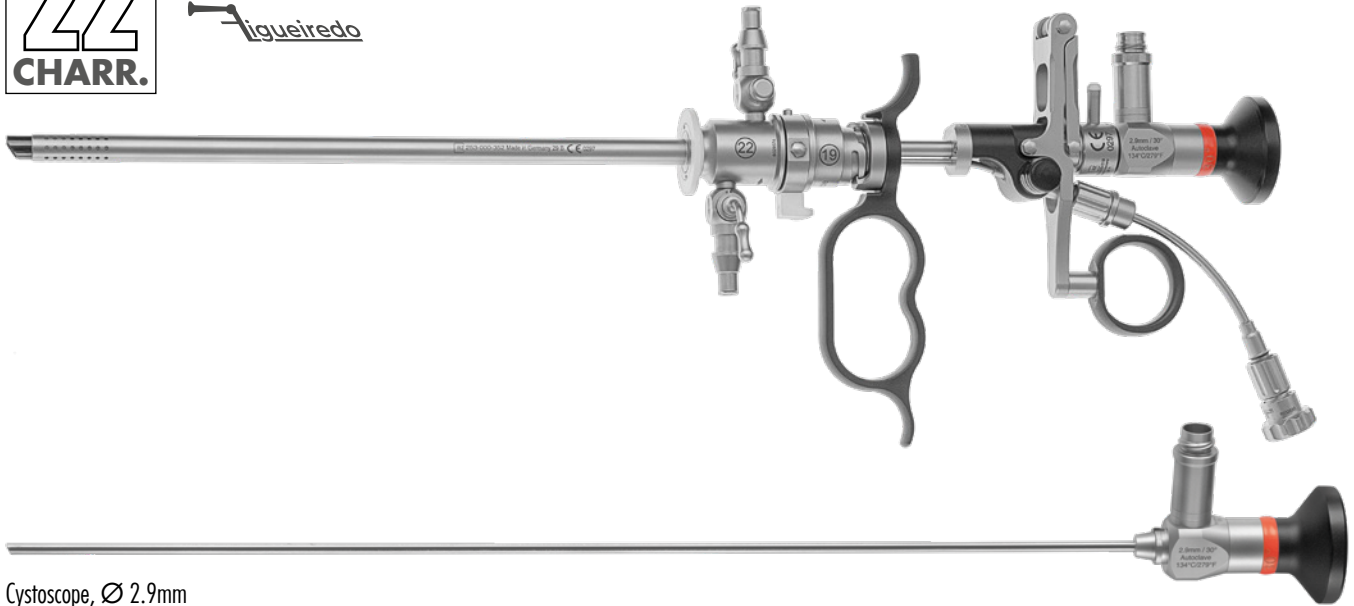
253-000-666 XL Resectoscope Sheath, continuous flow, rotating, for use with 253-000-251/-250 and 253-804-530



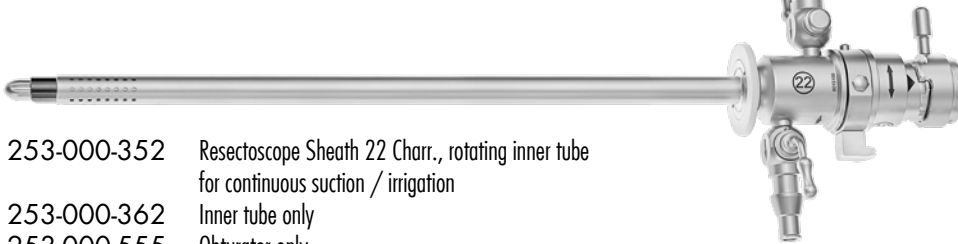
253-000-350 XL Laser Working Element for fibers Ø1.2mm, passive



*slim* HoLEP<sub>k</sub> MiLEP Set acc. Dr. Felipe C. A. de Figueiredo



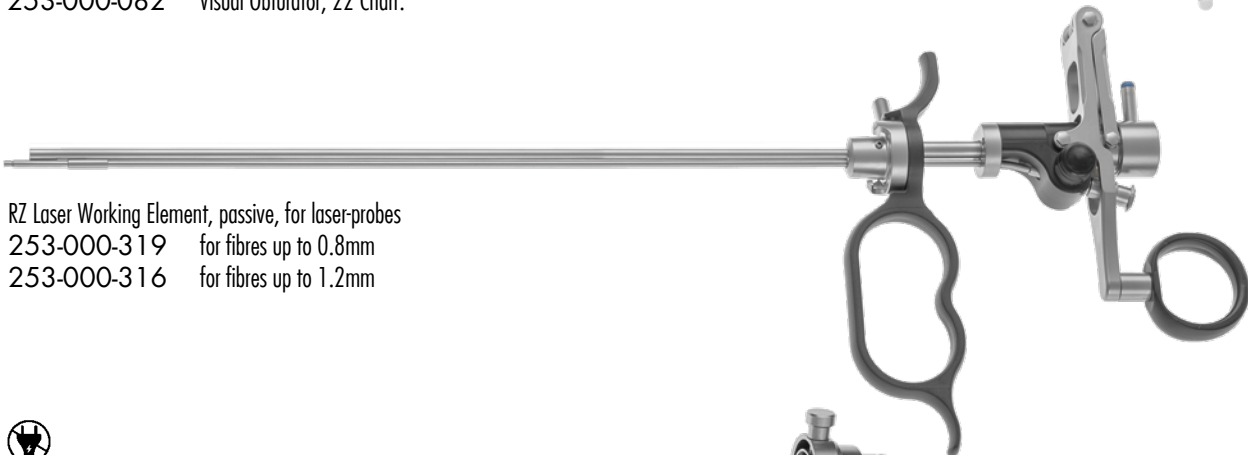
Cystoscope, Ø 2.9mm  
 253-829-030 30° direction of view  
 253-829-012 12° direction of view



253-000-352 Resectoscope Sheath 22 Charr., rotating inner tube  
 for continuous suction / irrigation  
 253-000-362 Inner tube only  
 253-000-555 Obturator only



253-000-082 Visual Obturator, 22 Charr.



RZ Laser Working Element, passive, for laser-probes  
 253-000-319 for fibres up to 0.8mm  
 253-000-316 for fibres up to 1.2mm



253-901-232  
 MiLEP HIGH-FLOW Resectoscope Inner Sheath, 19 Charr.



253-000-363  
 MiLEP Resectoscope Inner Sheath. 19 Charr.




253-901-232 tip

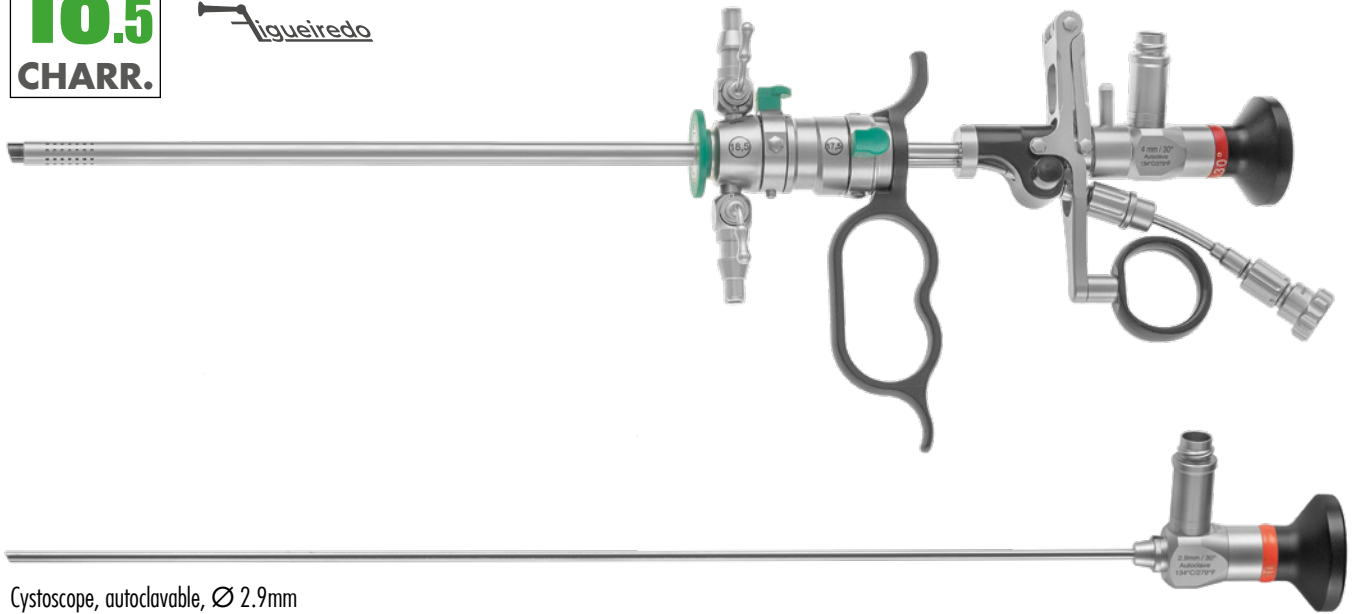


253-000-363 tip

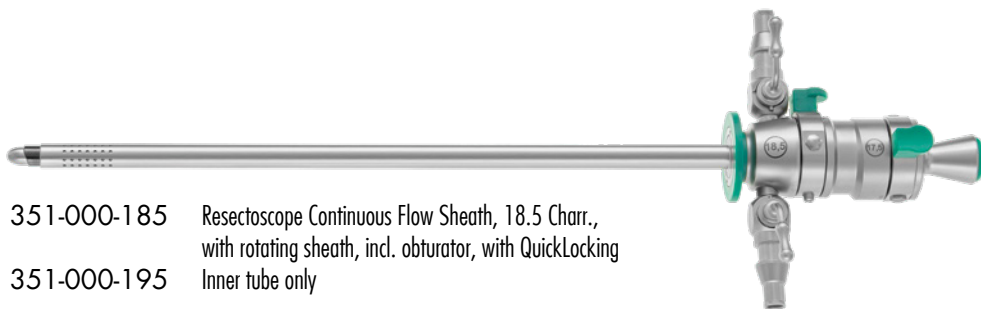
**18.5**  
**CHARR.**

*ultra slim HoLEP* 

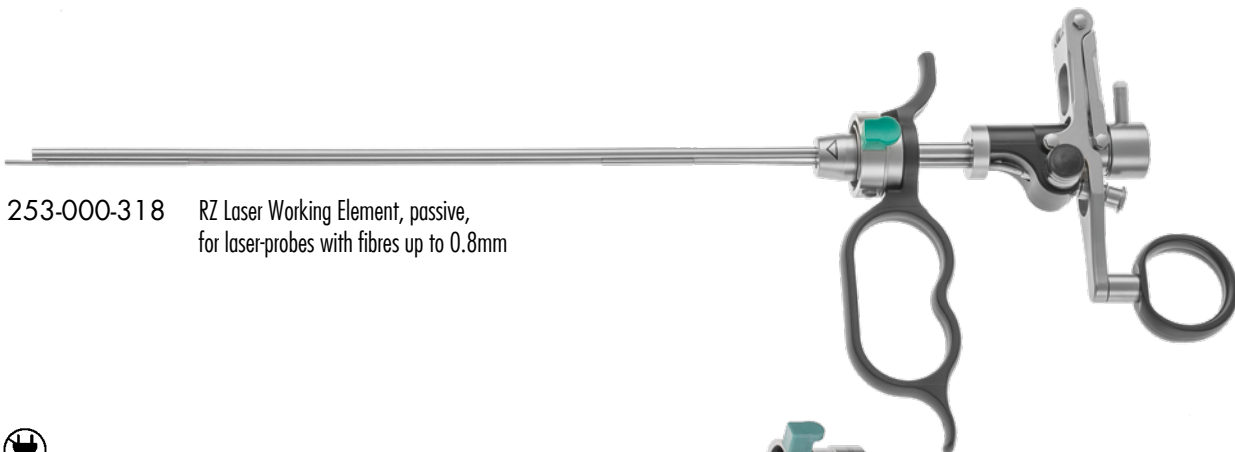
MiLEP Set acc. Dr. Felipe C. A. de Figueiredo



Cystoscope, autoclavable, Ø 2.9mm  
253-829-030 30° direction of view  
253-829-012 12° direction of view



351-000-185 Resectoscope Continuous Flow Sheath, 18.5 Charr.,  
with rotating sheath, incl. obturator, with QuickLocking  
351-000-195 Inner tube only



253-000-318 RZ Laser Working Element, passive,  
for laser-probes with fibres up to 0.8mm



253-901-282  
MiLEP HIGH-FLOW Resectoscope Inner Sheath, 16.5 Charr.

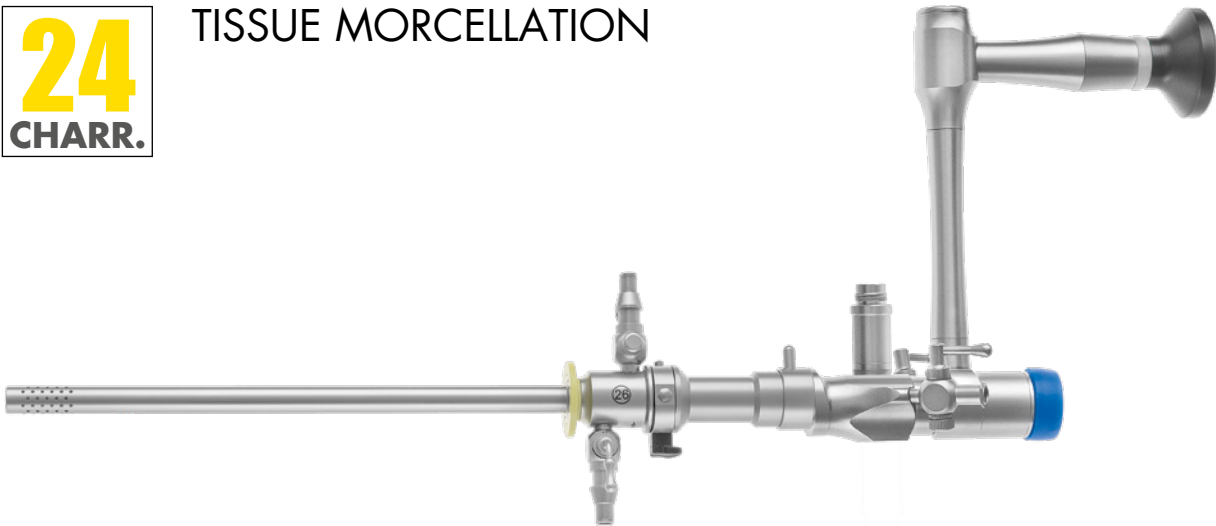


253-901-282 tip

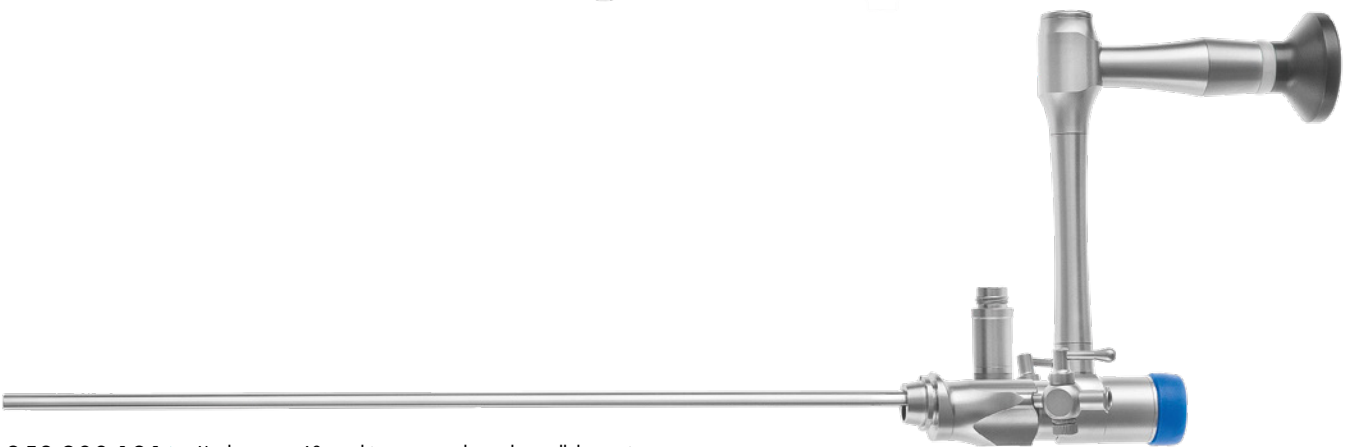
Suitable sterilization trays can be found on page 124

**24**  
**CHARR.**

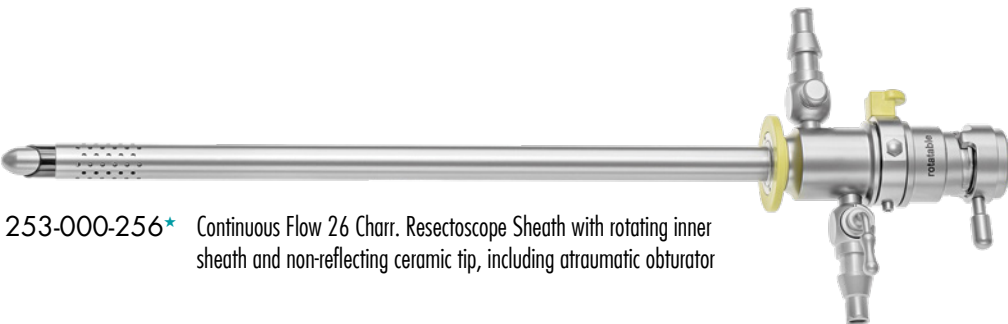
### TISSUE MORCELLATION



253-900-121\* Nephroscope 6°, oval instrument channel, parallel eye piece, 250mm working length



253-000-256\* Continuous Flow 26 Charr. Resectoscope Sheath with rotating inner sheath and non-reflecting ceramic tip, including atraumatic obturator

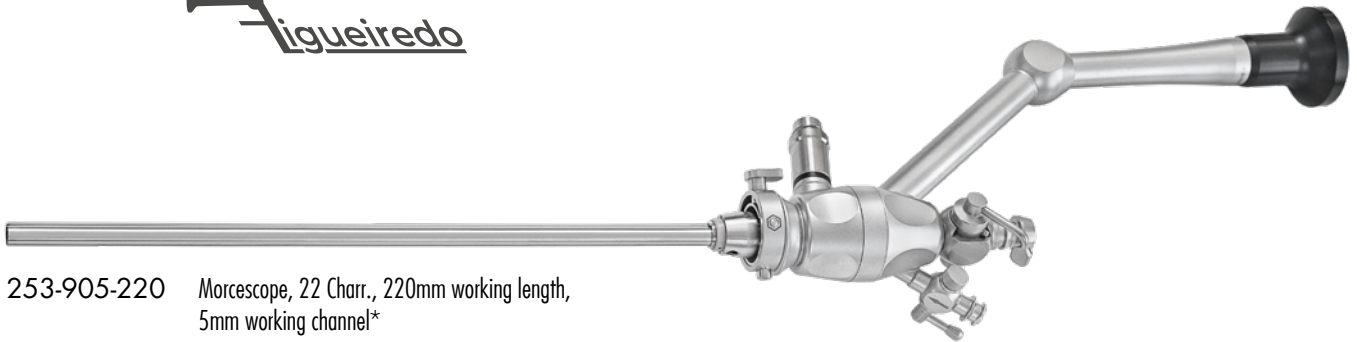


253-428-100\* Adapter for use with RZ Nephroscopes and Resectoscope Outer sheaths 253-000-356/-256

**22**  
**CHARR.**

*slim* HoLEP<sub>k</sub> Morcescope  
acc. Dr. Felipe C. A. de Figueiredo

*figueiredo*

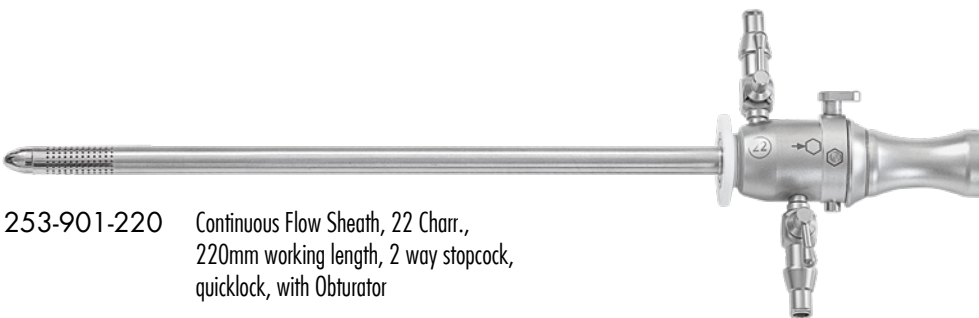


253-905-220 Morcescope, 22 Charr., 220mm working length, 5mm working channel\*

**18.5**  
**CHARR.**

\* to be used for morcellation after laser enucleation with 18.5 Charr. Resectoscope

*ultra slim* HoLEP<sub>k</sub>



253-901-220 Continuous Flow Sheath, 22 Charr., 220mm working length, 2 way stopcock, quicklock, with Obturator



253-904-220 Sealing Cap for Morcescope, with membrane to puncture through, package of 10 pieces



300-011-184\* Luer-Lock Tuohy Borst Adapter (Ø 0.6 - 1.4mm)



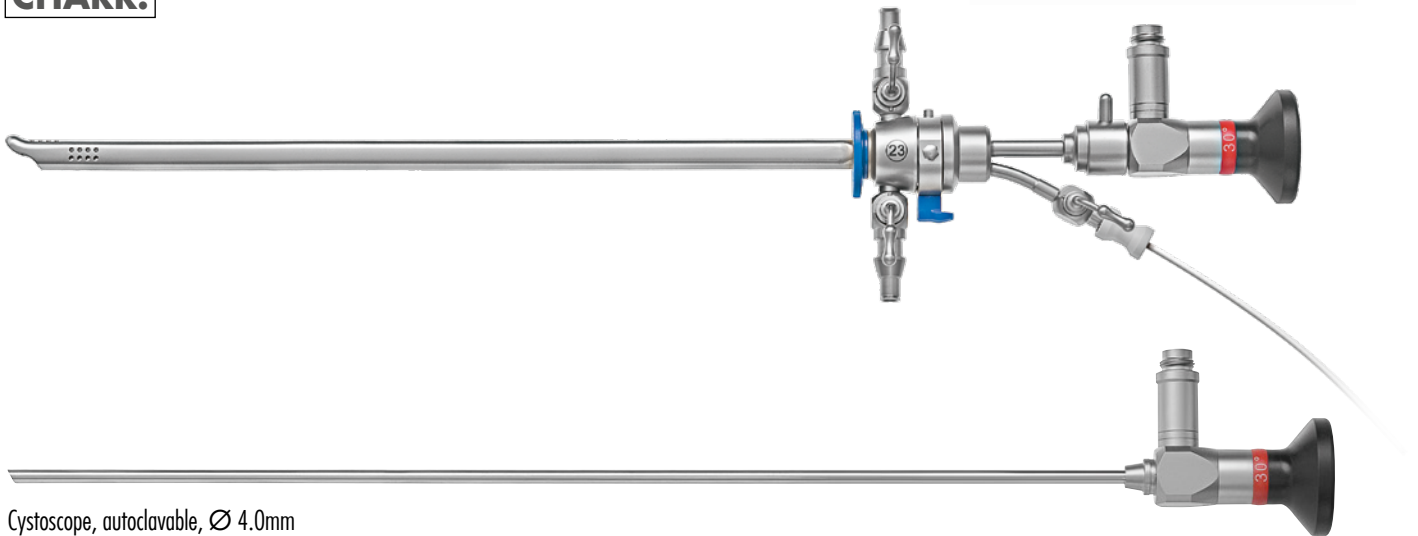
(253-000-302)

RZ LL-Connection, rotatable  
for use with Laser Probe  
253-000-301\* short  
253-000-302 long

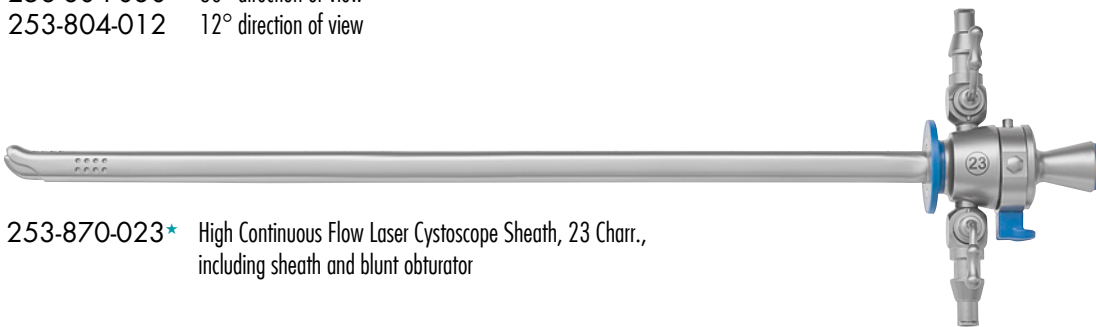


### UNIVERSAL LASER CYSTOSCOPE SET

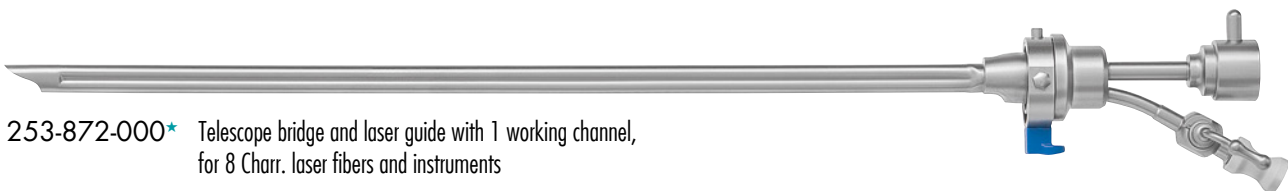
Side fire, compatible with all laser fibres up to 2.5mm  
for PVP, HoLEP & ThuVAP



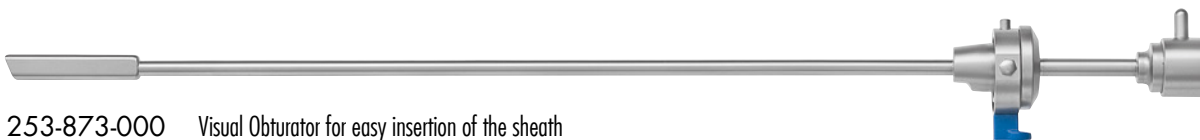
Cystoscope, autoclavable, Ø 4.0mm  
253-804-030 30° direction of view  
253-804-012 12° direction of view



253-870-023\* High Continuous Flow Laser Cystoscope Sheath, 23 Charr.,  
including sheath and blunt obturator



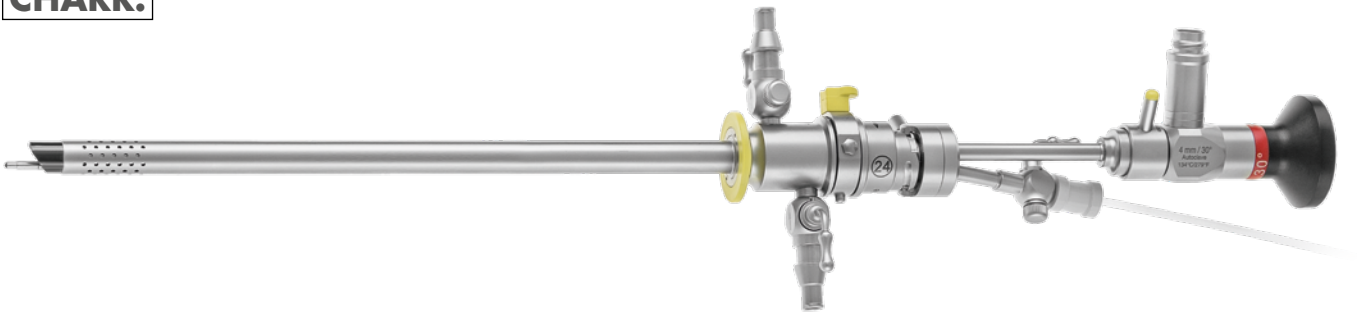
253-872-000\* Telescope bridge and laser guide with 1 working channel,  
for 8 Charr. laser fibers and instruments



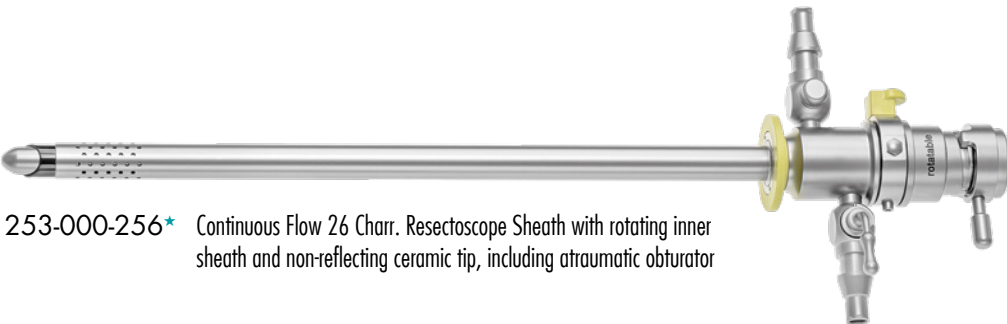
253-873-000 Visual Obturator for easy insertion of the sheath  
into the urethra and bladder

**24**  
**CHARR.**

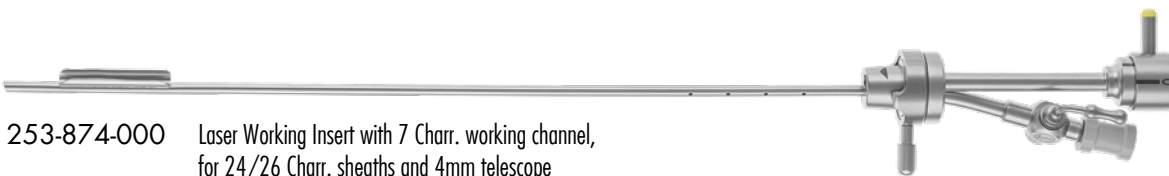
### LASER RESECTION SET for PVP, HoLEP & ThuVAP



Cystoscope, autoclavable, Ø 4.0mm  
253-804-030 30° direction of view  
253-804-012 12° direction of view

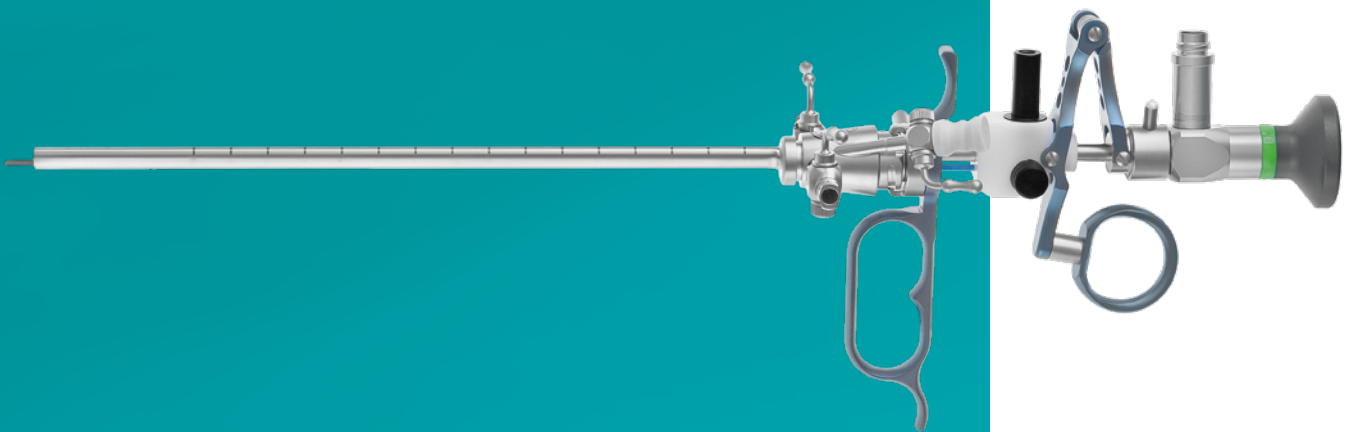


253-000-256\* Continuous Flow 26 Charr. Resectoscope Sheath with rotating inner sheath and non-reflecting ceramic tip, including atraumatic obturator



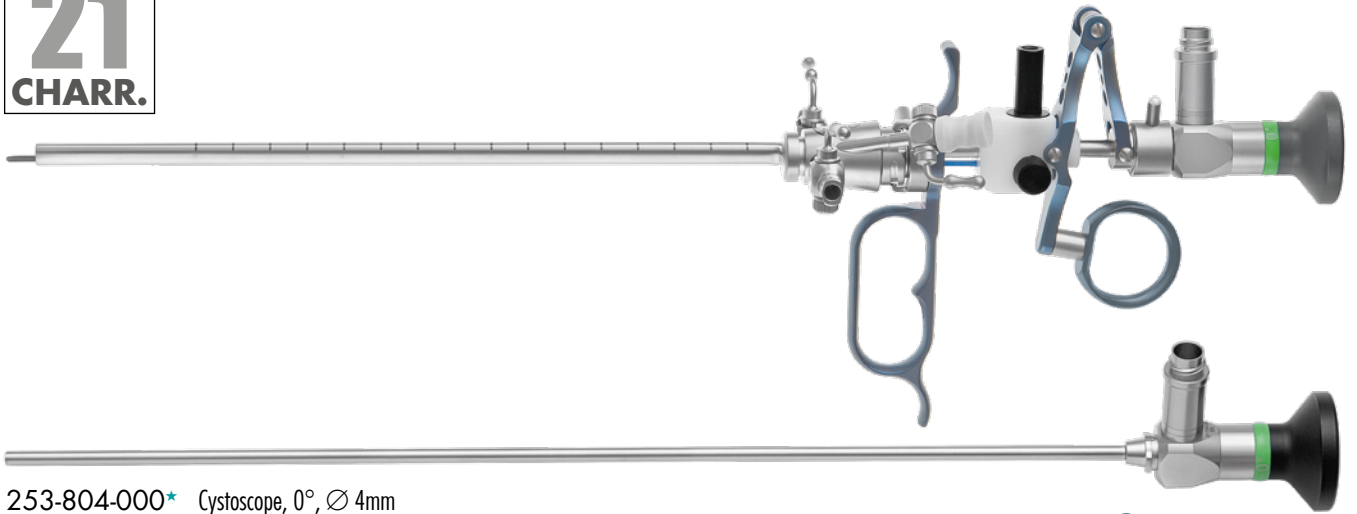
253-874-000 Laser Working Insert with 7 Charr. working channel, for 24/26 Charr. sheaths and 4mm telescope

# URETHROTOME

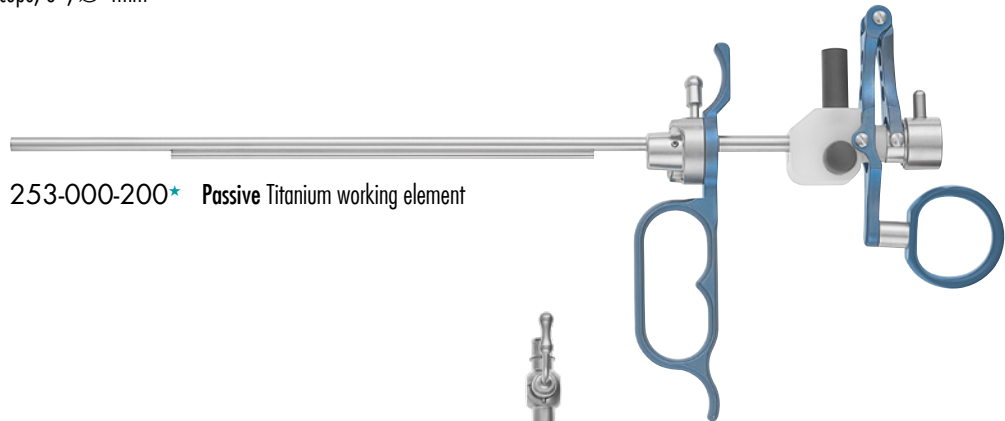


**21**  
CHARR.

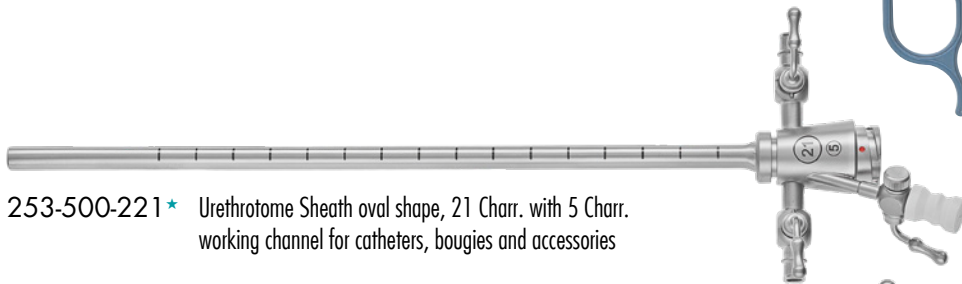
### URETHROTOME SET



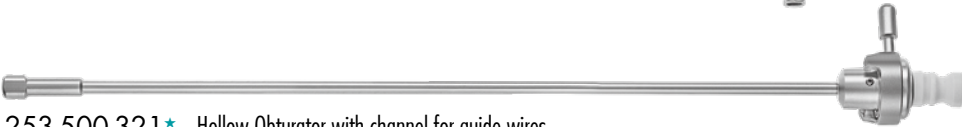
253-804-000\* Cystoscope, 0°, Ø 4mm



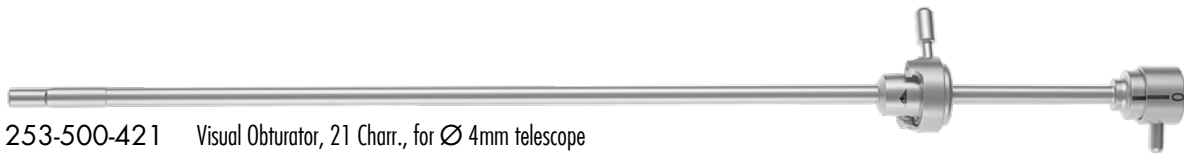
253-000-200\* Passive Titanium working element



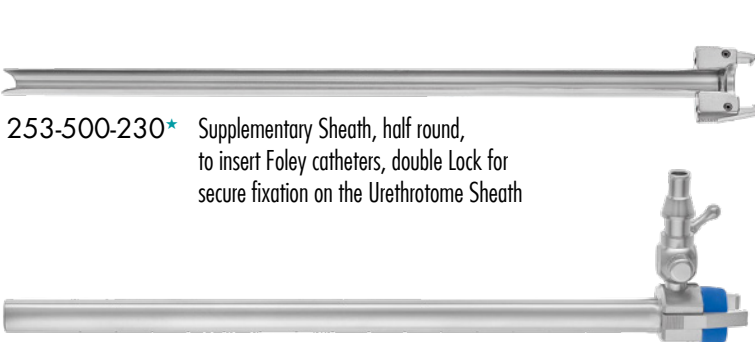
253-500-221\* Urethrotome Sheath oval shape, 21 Charr. with 5 Charr. working channel for catheters, bougies and accessories



253-500-321\* Hollow Obturator with channel for guide wires



253-500-421 Visual Obturator, 21 Charr., for Ø 4mm telescope



253-500-230\* Supplementary Sheath, half round, to insert Foley catheters, double Lock for secure fixation on the Urethrotome Sheath



253-500-325 Bridge with channel for 5 Charr. accessories



253-500-229 Continuous Flow supplementary sheath with double lock



1 Guide Stem Urethrotome Knives, for use without HF



253-500-561★

Sachse knife, straight



253-500-562

Sickle knife, retrograde



253-500-563★

Half round knife, 180° cutting

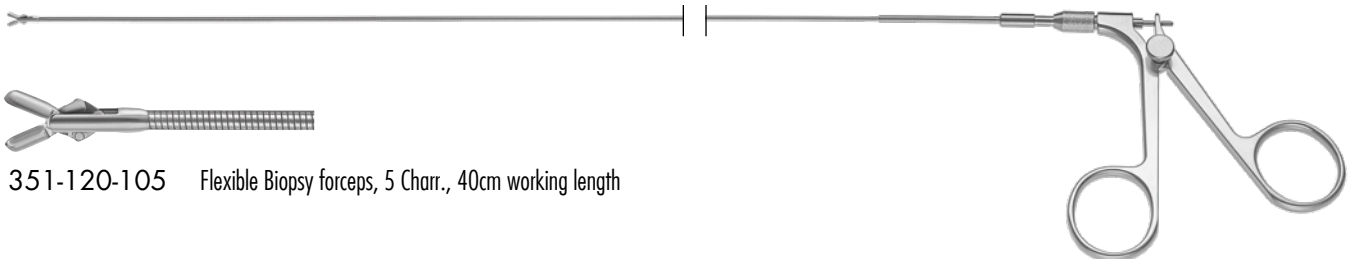
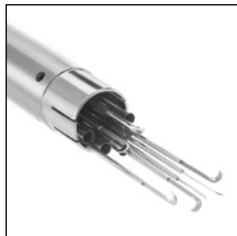
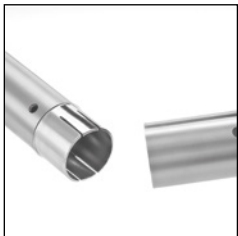


253-500-564

WaveCut knife, straight



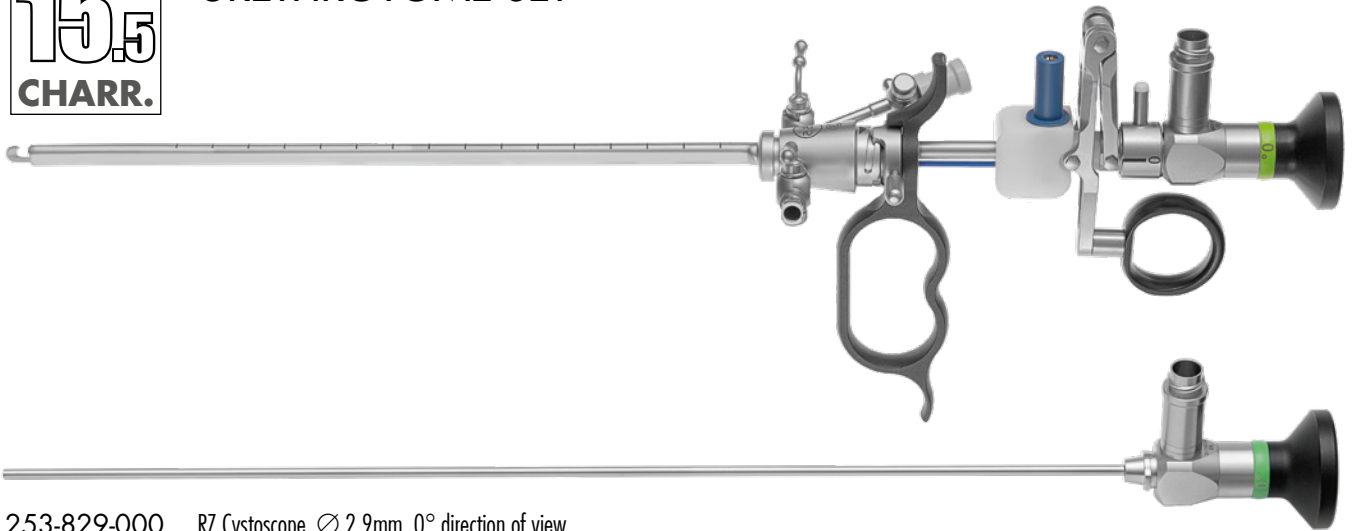
253-300-999★ Storage container for knives and electrodes, metal, perforated



351-120-105 Flexible Biopsy forceps, 5 Charr., 40cm working length

**15.5**  
**CHARR.**

### URETHROTOME SET



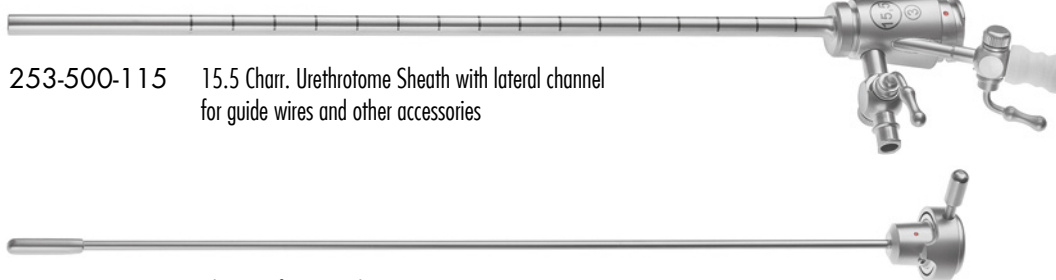
253-829-000 RZ Cystoscope, Ø 2.9mm, 0° direction of view



253-500-500  
Urethrotome Working Element  
for use with RZ Cystoscope, Ø 2.9mm, 0°



253-500-125 Urethrotome Bridge 15.5 Charr.,  
with 5 Charr. working channel,  
for Ø 2.9mm endoscopes



253-500-115 15.5 Charr. Urethrotome Sheath with lateral channel  
for guide wires and other accessories



253-500-315 Obturator for use with 253-500-115



253-500-581

Sachse knife, straight, 15 Charr.

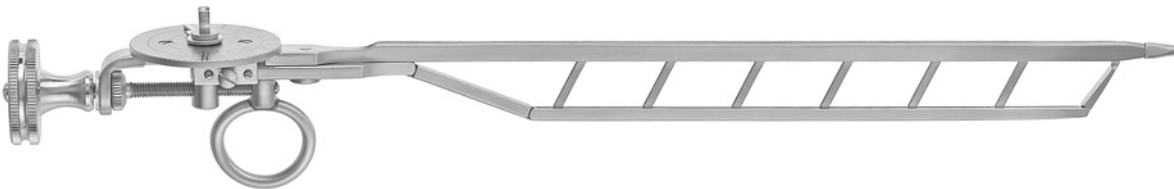


253-500-582

Sickle knife, retrograde, 15 Charr.



- 253-500-100 OTIS Dilation Urethrotome complete with 3 atraumatic tips and 2 knives, in wooden case
- 253-500-103 Wooden case only



- 253-500-101 Urethrotome only

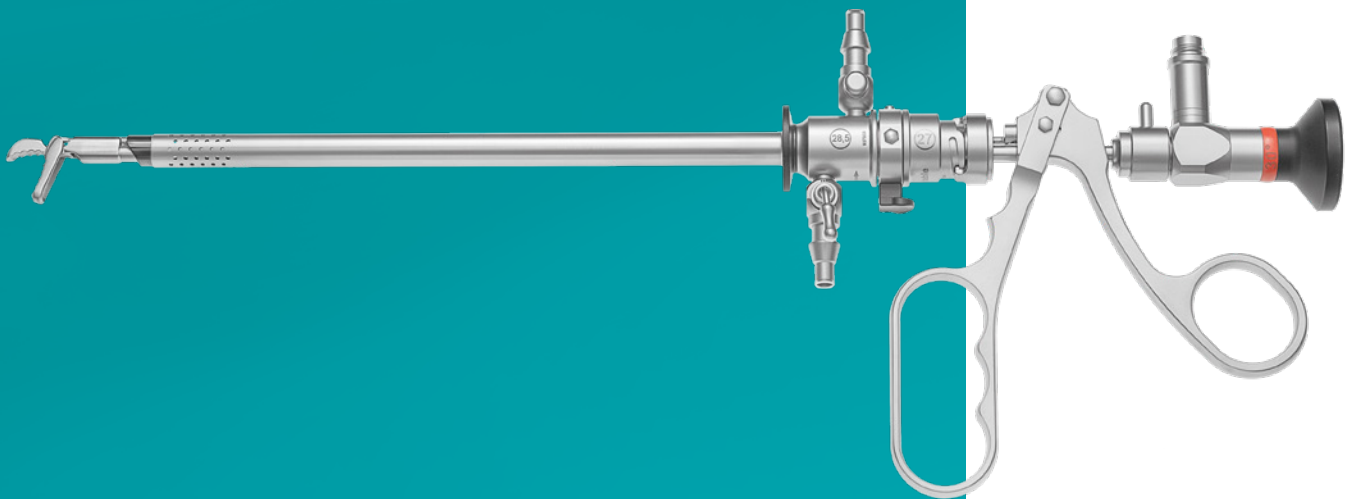


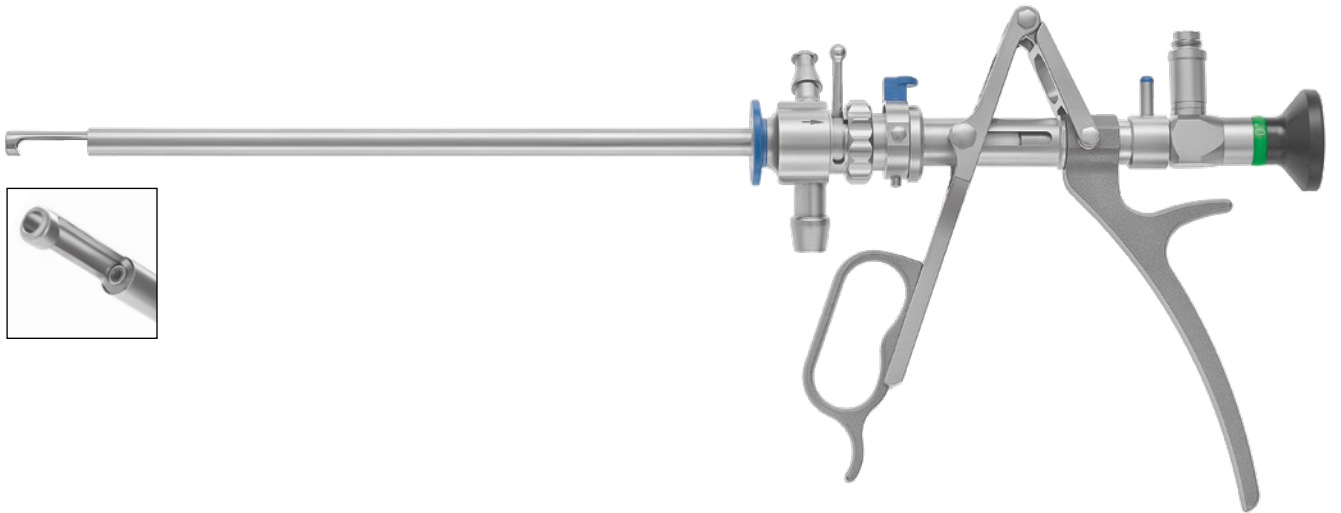
- 253-500-102 Knife only



- 253-500-108 Set with 3 atraumatic tips

## LITHOTRIPSY

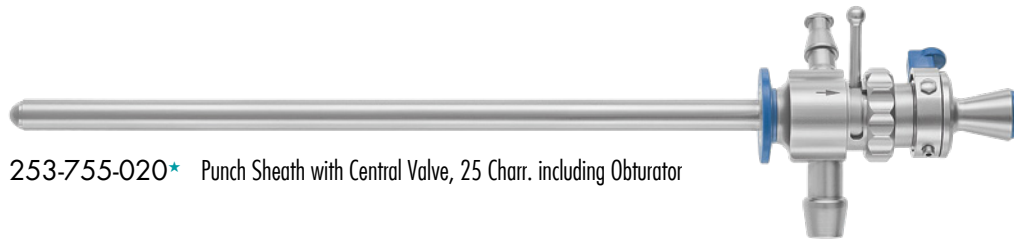




253-804-000\* Cystoscope, 0°, Ø 4mm, autoclavable



253-755-020\* Punch Sheath with Central Valve, 25 Charr. including Obturator



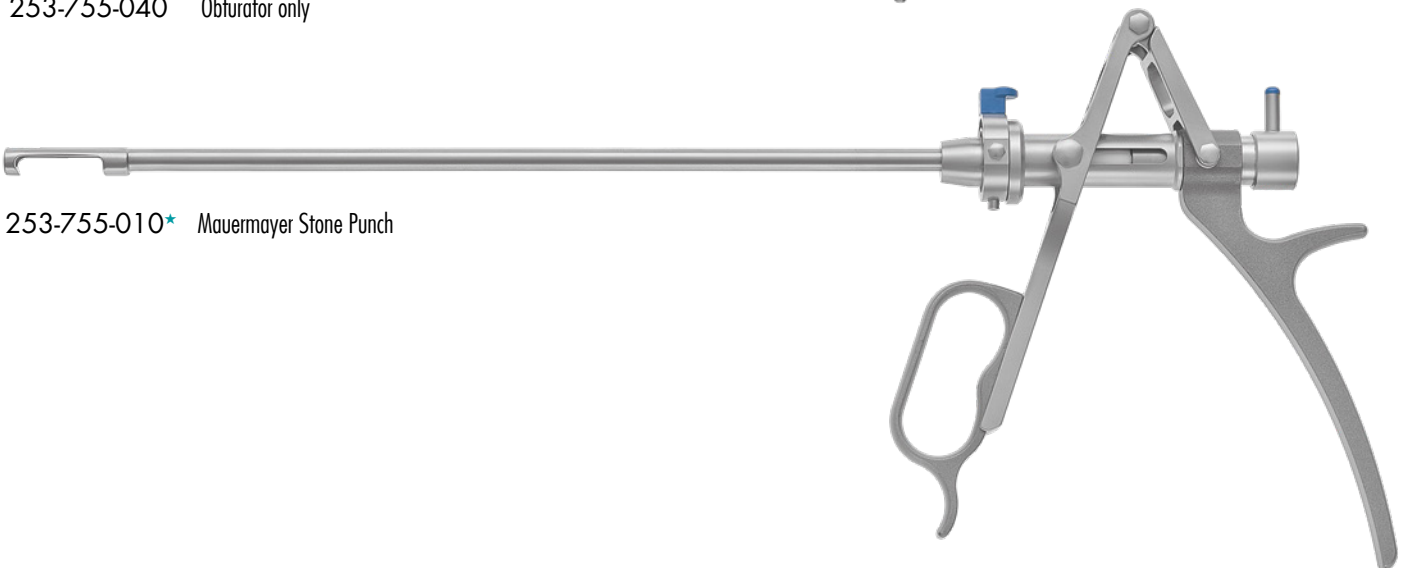
253-755-030 Visual Obturator with 7 Charr. working channel

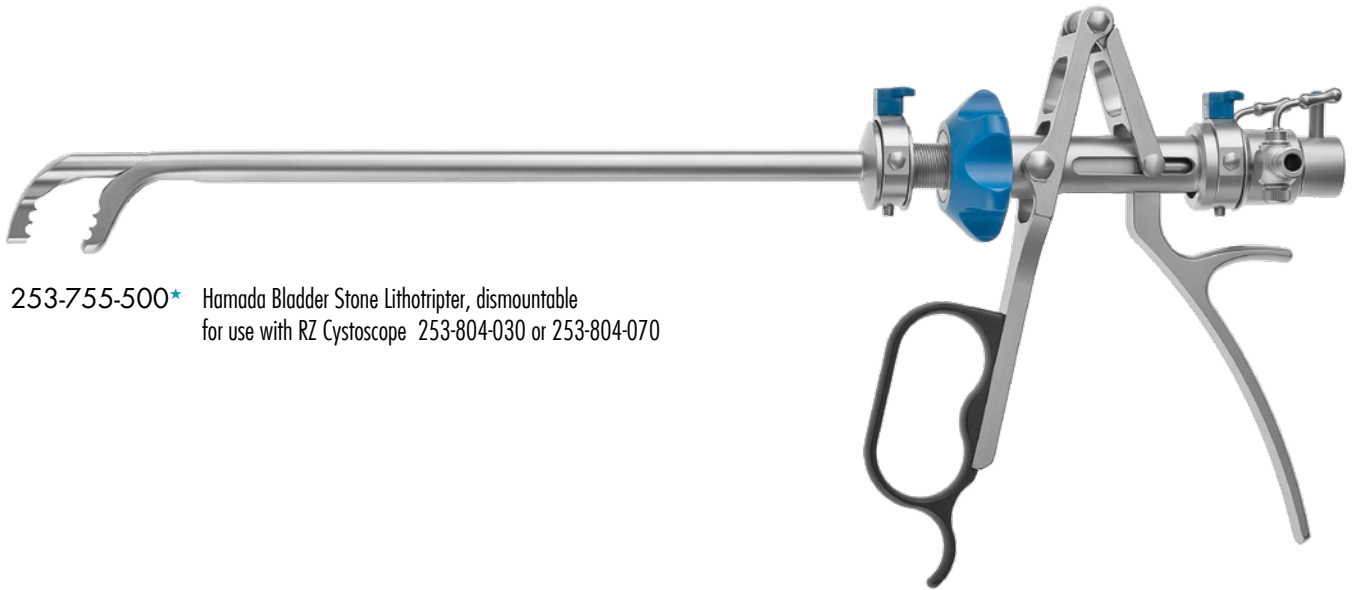


253-755-040 Obturator only

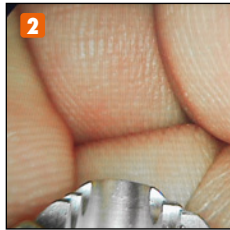
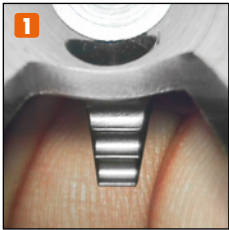


253-755-010\* Mauermayer Stone Punch





253-755-500\* Hamada Bladder Stone Lithotripter, dismantable  
for use with RZ Cystoscope 253-804-030 or 253-804-070

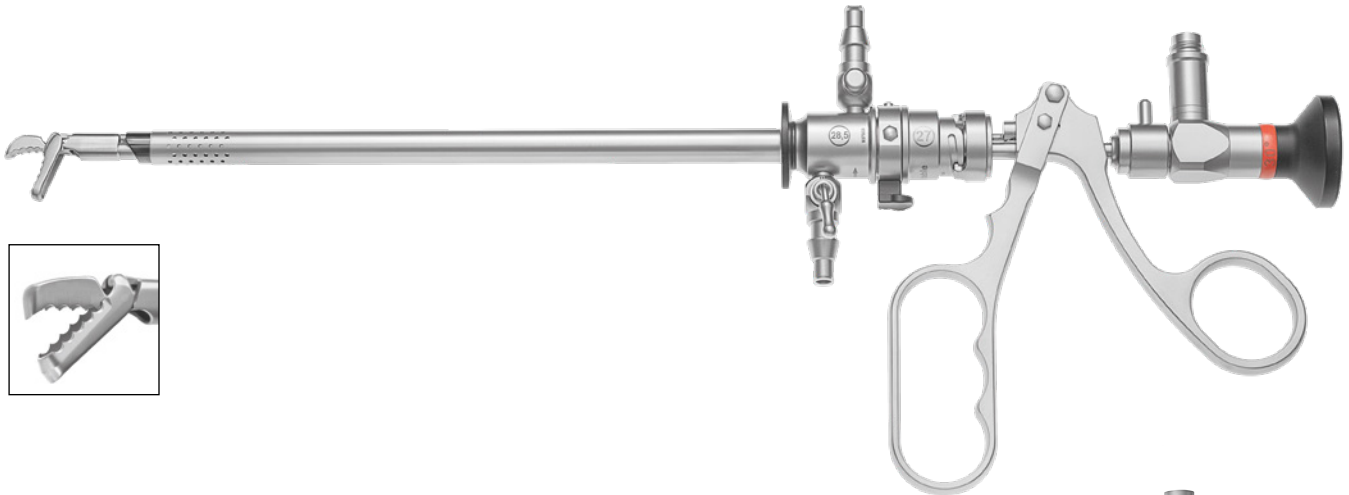


Comparison:  
field of view

- 1 with 30° Endoscope
- 2 with 70° Endoscope

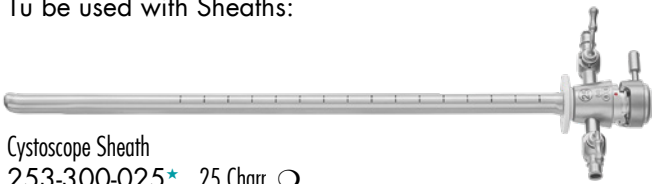


Dismountable

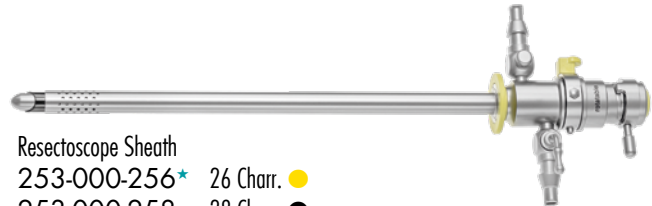


253-804-030 Cystoscope, autoclavable, Ø 4.0mm, 30° direction of view

To be used with Sheaths:



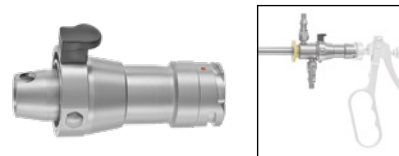
Cystoscope Sheath  
253-300-025\* 25 Charr. ○



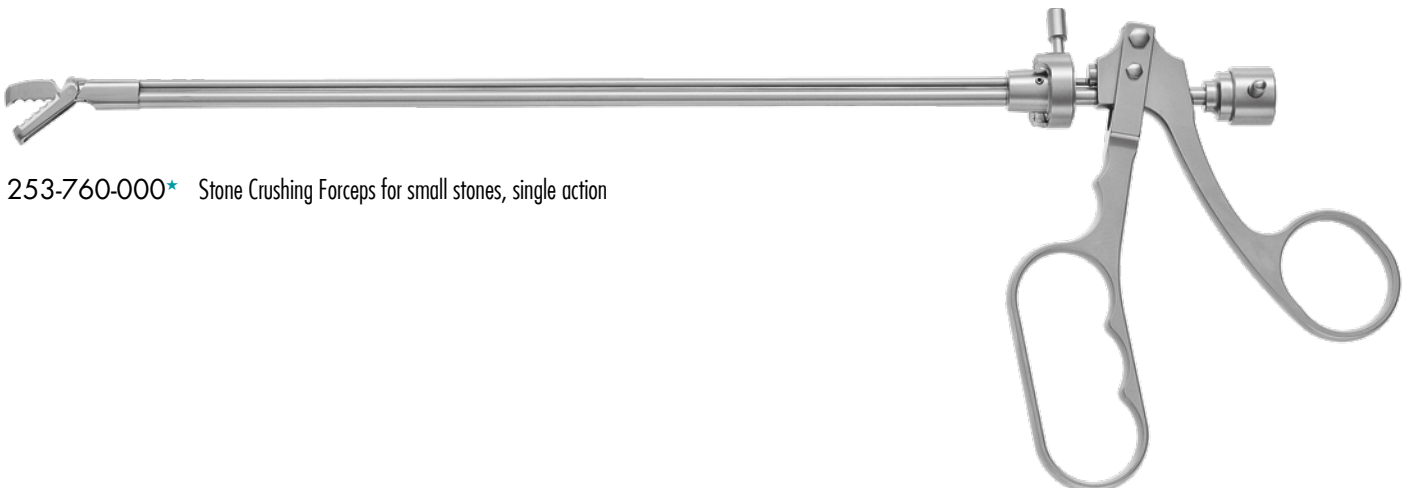
Resectoscope Sheath  
253-000-256\* 26 Charr. ●  
253-000-258 28 Charr. ●



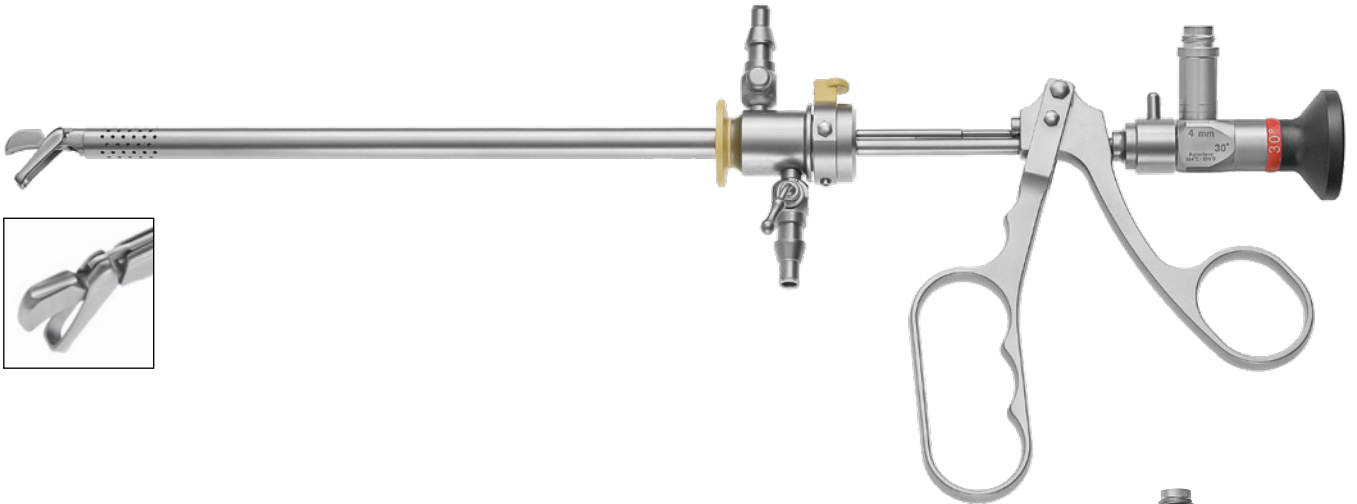
Resectoscope Sheath  
253-000-356 Fixed, 26 Charr. ●  
253-000-358 Fixed, 28 Charr. ●



253-430-100\* Adapter for use with Outer Resectoscope Sheaths

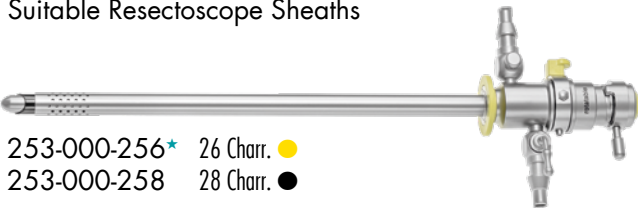


253-760-000\* Stone Crushing Forceps for small stones, single action

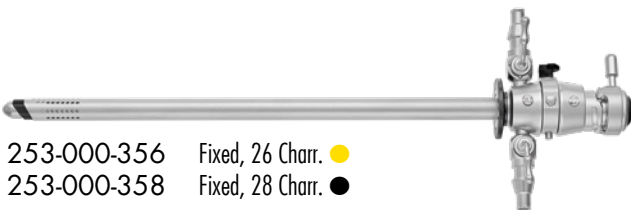


253-804-030 Cystoscope, autoclavable, Ø 4.0mm, 30° direction of view

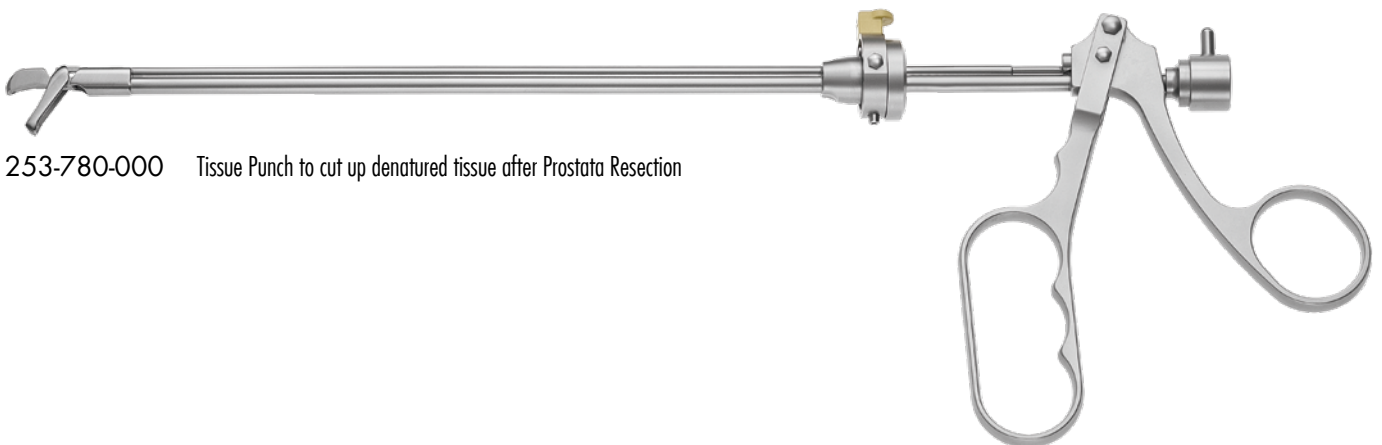
### Suitable Resectoscope Sheaths



253-000-256\* 26 Charr. ●  
253-000-258 28 Charr. ●

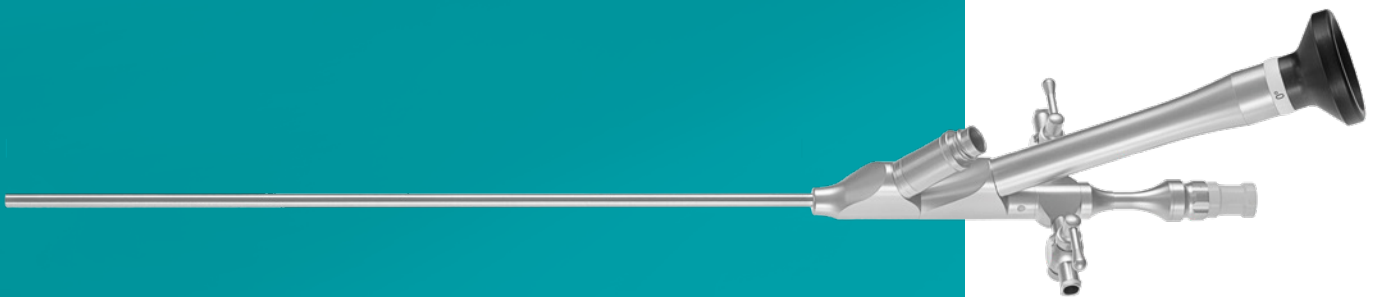


253-000-356 Fixed, 26 Charr. ●  
253-000-358 Fixed, 28 Charr. ●



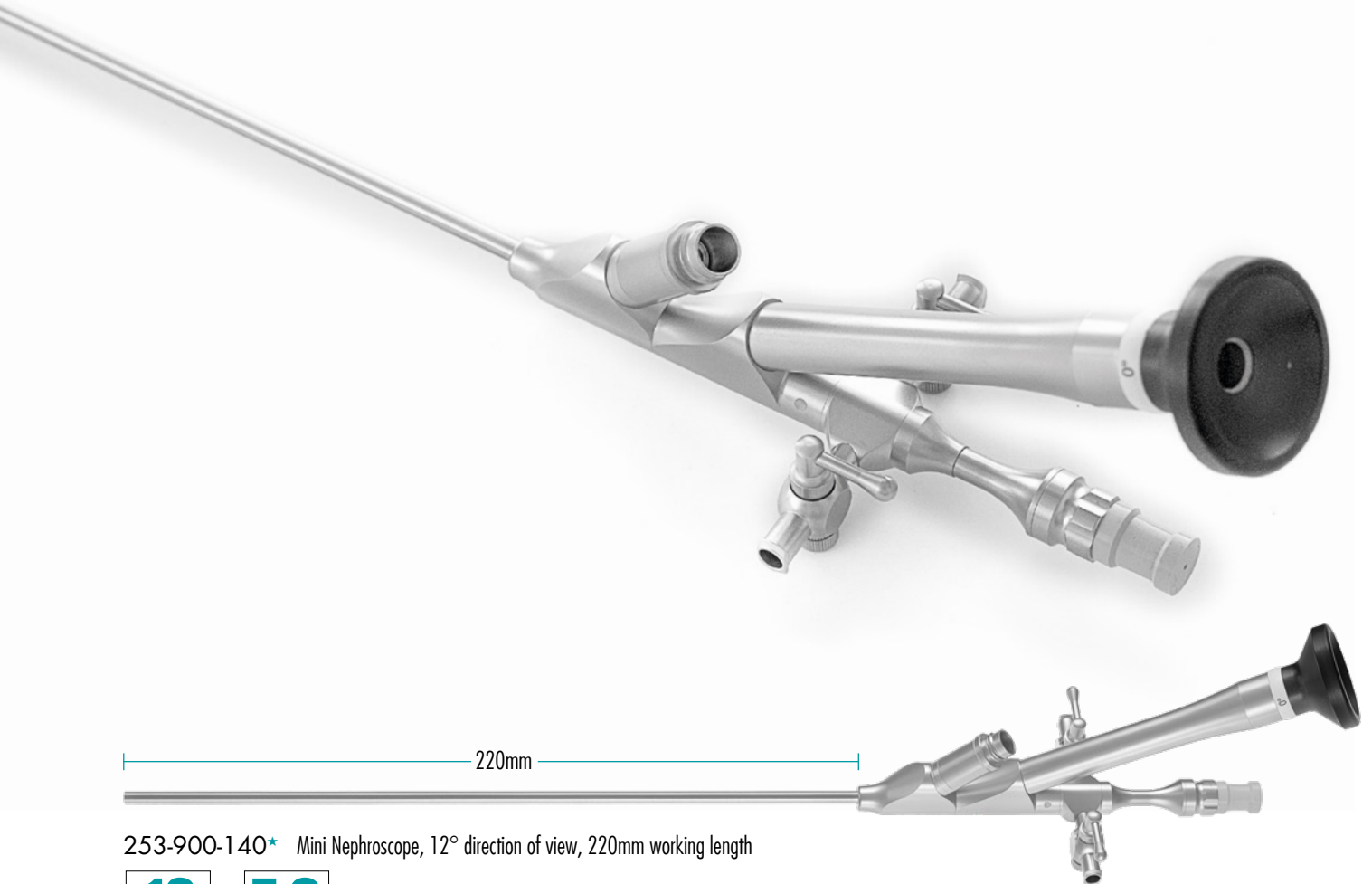
253-780-000 Tissue Punch to cut up denatured tissue after Prostata Resection

# NEPHROSCOPY





### 12 Charr. MINI NEPHROSCOPE



253-900-140\* Mini Nephroscope, 12° direction of view, 220mm working length

**12**  
CHARR.  
Ø SHAFT

**7.0**  
CHARR.  
WORKING CHANNEL\*

\* for use with instruments up to 5 Charr.



253-905-400  
Silicone Valve,  
package with 5 pieces



253-900-010  
Silicone Valve, package with 10 pieces,  
for use with very delicate instruments  
from 0.5 – 1.6mm diameter.



### OPERATING SHEATHS for use with RZ Mini Nephroscope

Mini PCNL Sheaths with valve, 130mm working length

253-900-141\* 15.0 Charr. ●

253-900-142\* 16.5 Charr. ●

253-900-143\* 21.0 Charr. ●

Long Mini PCNL Sheaths, 180mm working length

253-900-171 15.0 Charr.

253-900-175 16.5 Charr.

253-900-173 21.0 Charr.

One-Step Dilators with 1 central guide wire channel

253-900-146\* for 253-900-141 + 253-900-171

253-900-147\* for 253-900-142 + 253-900-175, with 1 excentric guide wire channel

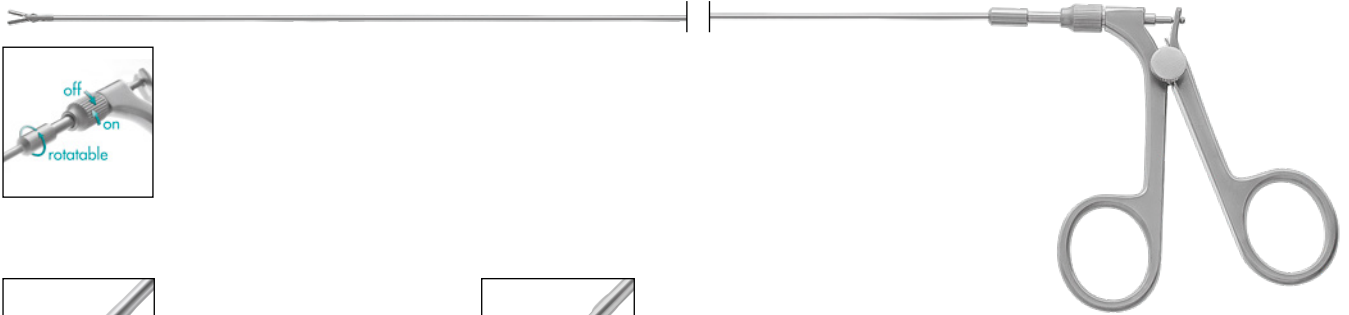
253-900-148\* for 253-900-143 + 253-900-173, with 1 excentric guide wire channel

253-900-145\* 2-piece Sealing Adapter with sheath and obturator for use with 253-900-141

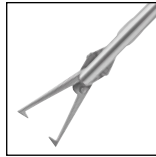


### RZ NEPHROSCOPY INSTRUMENTS

semi-rigid, 5 Charr.



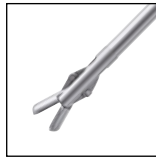
Stone Grasping Forceps,  
double action jaws, retrograde serration  
253-950-455\* 450mm working length



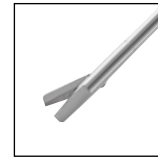
Stone Grasping Forceps  
for large stones, double action jaws, 1 x 1 teeth  
253-952-455\* 450mm working length



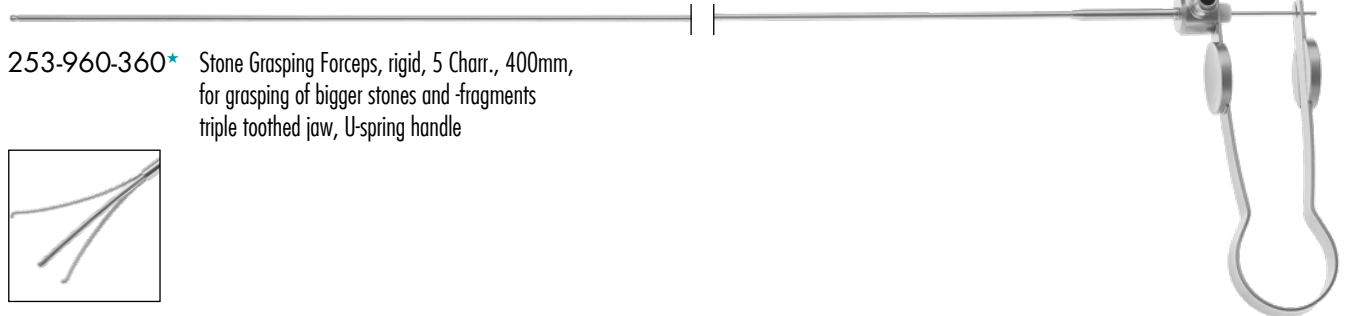
Hamada Long Stone Grasping Forceps,  
double action jaws, fine serrated  
253-954-455 450mm working length



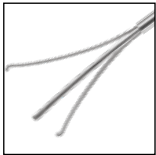
Biopsy Forceps,  
double action jaws  
253-956-455\* 450mm working length



Scissors,  
single action jaws  
253-958-455 450mm working length

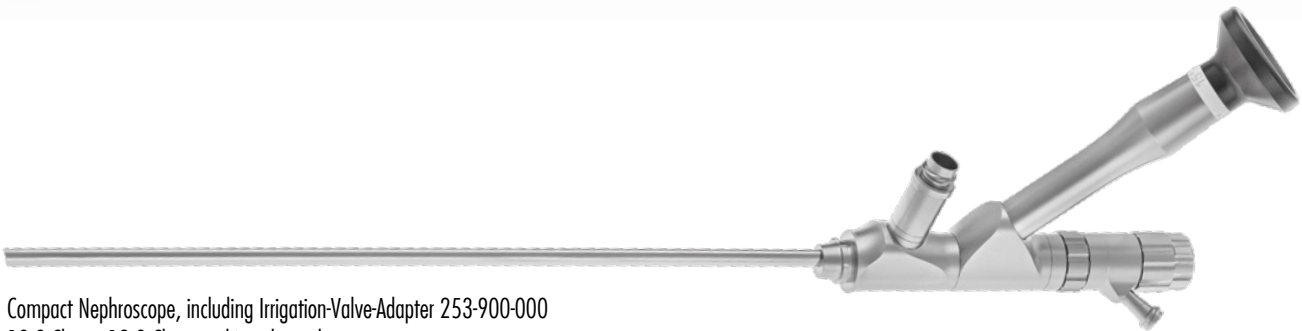


253-960-360\* Stone Grasping Forceps, rigid, 5 Charr., 400mm,  
for grasping of bigger stones and -fragments  
triple toothed jaw, U-spring handle

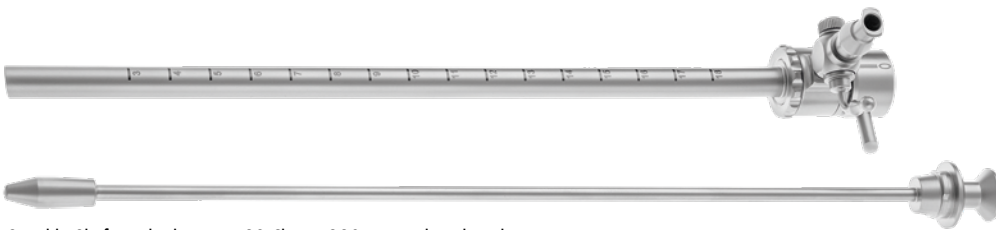


### RZ COMPACT NEPHROSCOPE

220mm working length



Compact Nephroscope, including Irrigation-Valve-Adapter 253-900-000  
 18.8 Charr., 12.9 Charr working channel  
 253-900-815 15°  
 253-900-830 30°



Suitable Shaft, with obturator, 23 Charr., 220mm working length  
 253-900-888

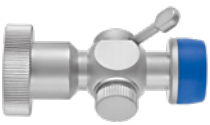


253-900-000  
 Irrigation-Valve-Adapter

Percutane Nephroscopy, 190mm length

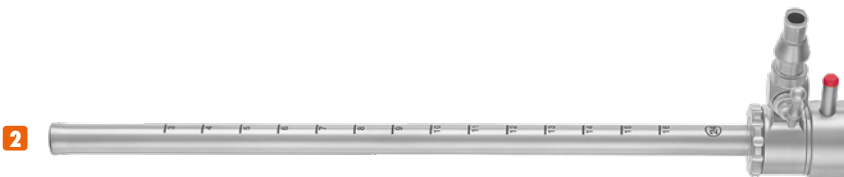
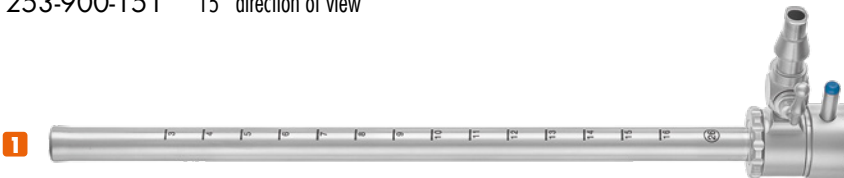


RZ Nephroscope, oblique view, with 2 Luer-Lock stopcocks and detachable instrument stopcock  
 253-900-100 6° direction of view  
 253-900-150 15° direction of view



253-900-105 Stopcock, only for use with RZ Nephrosopes

RZ Nephroscope, parallel view, with 2 Luer-Lock stopcocks and detachable instrument stopcock  
 253-900-101 6° direction of view  
 253-900-151 15° direction of view



Operating Sheath

**1** 253-900-110\* 26 Charr.

**2** 253-900-111 24 Charr.



Hollow Obturator

**1** 253-900-115\* 26 Charr.

**2** 253-900-116 24 Charr.



### Percutane Nephroscopy, 250mm length



RZ Nephroscope, oblique view, with 2 Luer-Lock stopcocks and detachable instrument stopcock, 250mm working length

253-900-120 6° direction of view

253-900-160 15° direction of view



253-900-105 Stopcock, only for use with RZ Nephroscopes (including: 253-900-100 and 253-900-101)

Nephroscope Scope, oval instrument channel, parallel eye piece, 250mm working length

253-900-121 6° direction of view

253-900-161 15° direction of view



Operating Sheath

1 253-900-130\* 26 Charr.

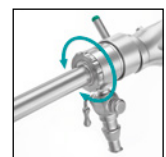
2 253-900-131 24 Charr.



Hollow Obturator

1 253-900-135\* 26 Charr.

2 253-900-136 24 Charr.

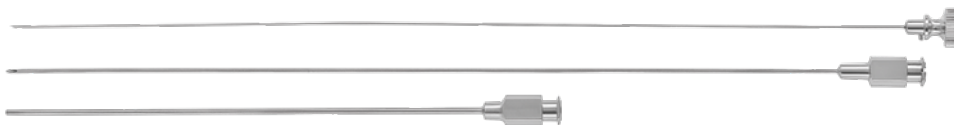




253-900-155\* Amplatz Metal Dilator set containing 6 Dilators (9, 12, 15, 18, 21, 24 Charr.)  
2 flexible and 2 rigid guide rods for use with guide wires



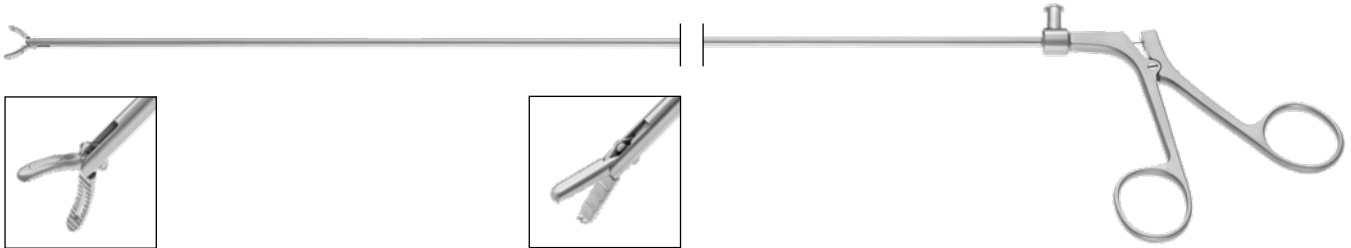
Amplatz Metal Dilator  
253-900-156\* 27 Charr.  
253-900-157\* 30 Charr.



253-900-201\* Puncture Cannula with inner and outer cannula



253-900-202\* Dilation Cannula, 3mm Ø with inner and outer cannula



Stone Grasping forceps with fenestrated jaws,  
double action, with flushing port  
253-900-210\* 360mm working length  
253-900-250\* 430mm working length



Stone Grasping forceps with coarse serrated jaws,  
double action  
253-900-212\* 360mm working length  
253-900-252\* 430mm working length

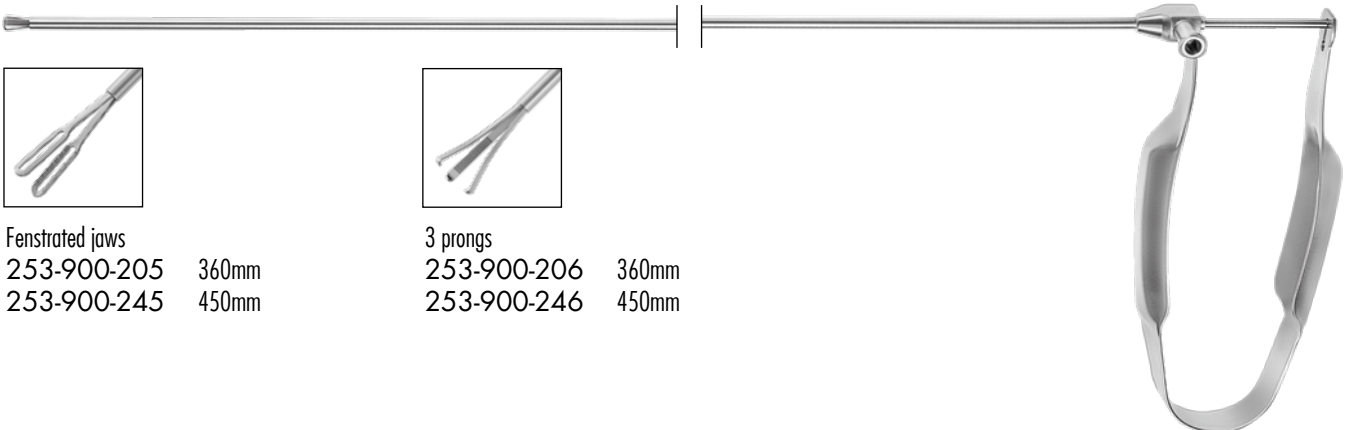


Biopsy forceps with sharp cup,  
single action  
253-900-211 360mm working length  
253-900-251 430mm working length



Scissors, sharp tip,  
single action  
253-900-213 360mm working length  
253-900-253 430mm working length

Stone Grasping Forceps with spring handle and finger platform  
Ø 4mm, Luer-Lock connection

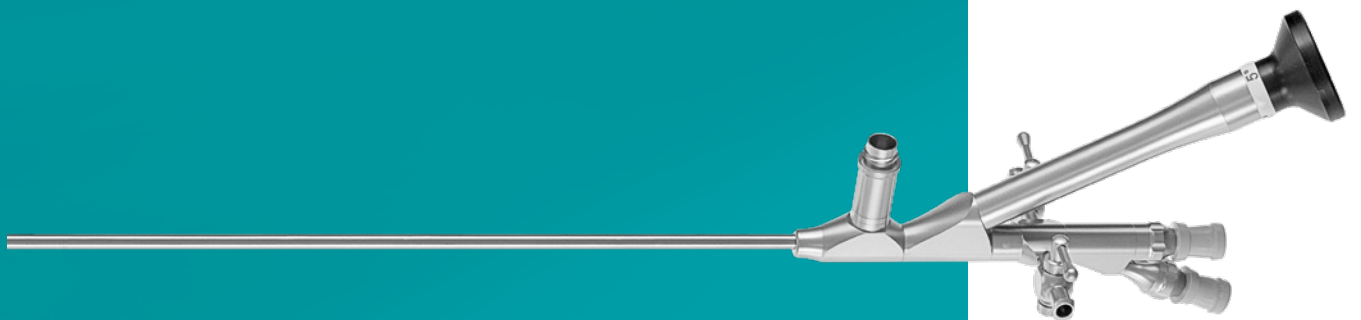


Fenestrated jaws  
253-900-205 360mm  
253-900-245 450mm



3 prongs  
253-900-206 360mm  
253-900-246 450mm

# URETERO-RENOSCOPY



### RZ URETERO-RENOSCOPES

- FullHD 50.000 pixel fiber system
- Semi-flexible shaft
- Silicone valve system with 2 parallel sealings
- Large working channels
- Irrigation/suction channels



Sealing caps included  
 301-701-060 Ø 0.6mm  
 301-701-030 Ø 0.3mm



Atraumatic tip design



Tapered shaft



90° stopcocks



5° direction of view  
 65° field of view

## ADVANCED SEMI-RIGID URETERO-RENSCOPIES

### standard LINE

253-905-540\* 425mm  
253-905-530 310mm

**7.5**  
CHARR.

DISTAL TIP

**9.0**  
CHARR.

DISTAL

**13**  
CHARR.

PROXIMAL

**5.8**  
CHARR.

WORKING  
CHANNEL\*

\* for use with instruments up to 5 Charr.

### slim LINE

253-910-540\* 425mm  
253-910-530 310mm

**6.0**  
CHARR.

DISTAL TIP

**7.5**  
CHARR.

DISTAL

**10.5**  
CHARR.

PROXIMAL

**5.0**  
CHARR.

WORKING  
CHANNEL\*

\* for use with instruments up to 4 Charr.

### superslim LINE

253-915-540\* 425mm  
253-915-530 310mm

**5.0**  
CHARR.

DISTAL TIP

**6.5**  
CHARR.

DISTAL

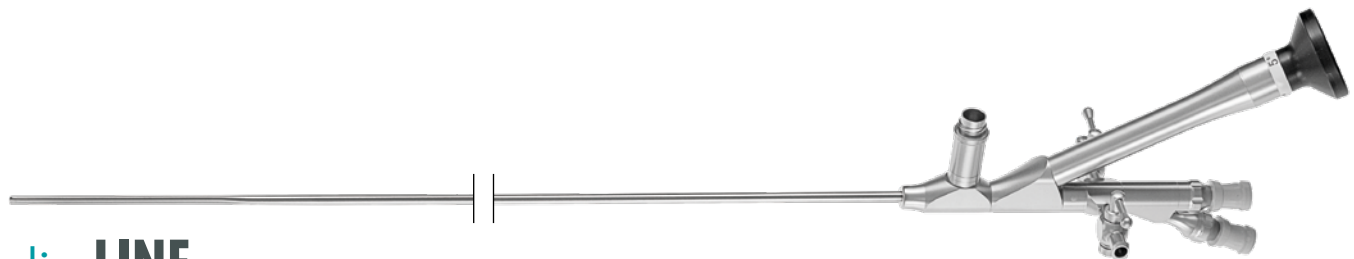
**8.0**  
CHARR.

PROXIMAL

**4.0**  
CHARR.

WORKING  
CHANNEL\*

\* for use with instruments up to 3 Charr.





## The next generation instruments in Endo-Urology

- ▼ Detachable – one handle for all inserts
- ▼ Color code – the easy identification of the tip
- ▼ Two handles – self holding and standard
- ▼ Easy connection – the reliable ball tip technique
- ▼ Light weight handle – the perfect fit for your fingers
- ▼ Make cleaning easy – flushing port for the complete instrument
- ▼ 360° rotation - just with your finger tip
- ▼ All parts can be ordered separately

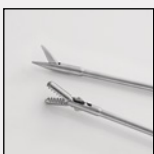


**PATENTED**  
10 2022 107 371.8





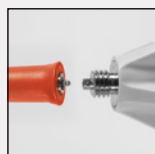
360°



Multiple tips design



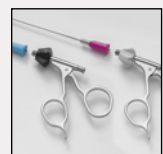
Color coded inserts



Unique, detachable system



Flushing port for easy cleaning



Two handles - multiple options

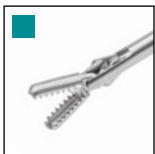
### FORCEPS & PUNCHES



- ▶ Automatic self-holding
- ▶ Black color coded





351-100-550 Self-holding handle for forceps and punches (recommended handle)



Grasping Forceps with toothed cup, double action, 600mm working length

Insert only



Complete instrument

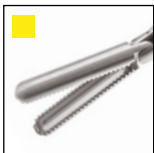
		Insert only	Complete instrument
 semi-rigid	3 Charr., Ø 1.0mm	253-950-503	253-950-003
	4 Charr, Ø 1.3mm	253-950-504	253-950-004
	5 Charr, Ø 1.6mm	253-950-505	253-950-005
 flexible	3 Charr., Ø 1.0mm	253-951-503	253-951-003
	4 Charr, Ø 1.3mm	253-951-504	253-951-004
	5 Charr, Ø 1.6mm	253-951-505	253-951-005



Stone Grasping Forceps for large stones,  
double action jaws, 600mm working length





			Insert only	Complete instrument
	semi-rigid	3 Charr., Ø 1.0mm	253-952-503	253-952-003
		4 Charr., Ø 1.3mm	253-952-504	253-952-004
		5 Charr., Ø 1.6mm	253-952-505	253-952-005
	flexible	3 Charr., Ø 1.0mm	253-953-503	253-953-003
		4 Charr., Ø 1.3mm	253-953-504	253-953-004
		5 Charr., Ø 1.6mm	253-953-505	253-953-005



HAMADA long Stone Grasping Forceps,  
double action jaws, 600mm working length





			Insert only	Complete instrument
	semi-rigid	3 Charr., Ø 1.0mm	253-954-503	253-954-003
		4 Charr., Ø 1.3mm	253-954-504	253-954-004
		5 Charr., Ø 1.6mm	253-954-505	253-954-005
	flexible	3 Charr., Ø 1.0mm	253-955-503	253-955-003
		4 Charr., Ø 1.3mm	253-955-504	253-955-004
		5 Charr., Ø 1.6mm	253-955-505	253-955-005

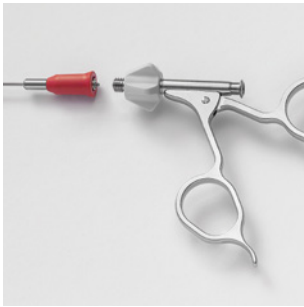


Biopsy Forceps, 600mm working length



			Insert only	Complete instrument
	semi-rigid	3 Charr., Ø 1.0mm	253-956-503	253-956-003
		4 Charr., Ø 1.3mm	253-956-504	253-956-004
		5 Charr., Ø 1.6mm	253-956-505	253-956-005
	flexible	3 Charr., Ø 1.0mm	253-957-503	253-957-003
		4 Charr., Ø 1.3mm	253-957-504	253-957-004
		5 Charr., Ø 1.6mm	253-957-505	253-957-005

### SCISSORS





- ▼ Standard handle
- ▼ White color coded

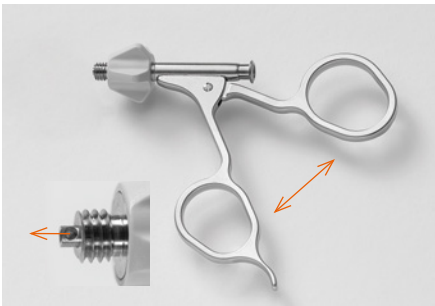


351-100-500 Standard handle for scissors  
(recommended handle)



Scissors, single action, 600mm working length		Insert only	Complete instrument
 semi-rigid	3 Charr., Ø 1.0mm	253-958-503	253-958-003
	4 Charr., Ø 1.3mm	253-958-504	253-958-004
	5 Charr., Ø 1.6mm	253-958-505	253-958-005
 flexible	3 Charr., Ø 1.0mm	253-959-503	253-959-003
	4 Charr., Ø 1.3mm	253-959-504	253-959-004

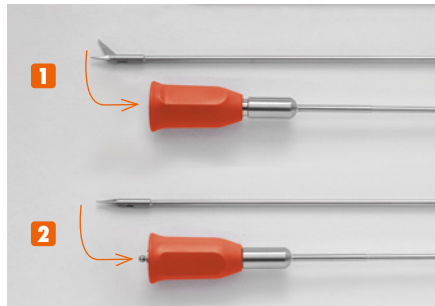
## ASSEMBLY



### STEP 1

Open the handle.  
The ball socket pushes out.

Keep the handle open.



### STEP 2

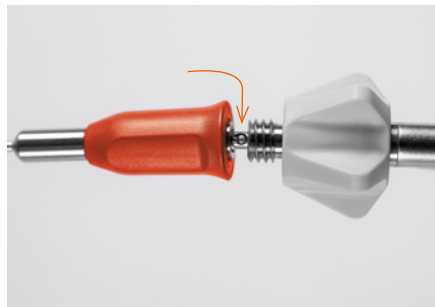
**1** Opened jaw

**2** Close the jaw - the ball head pushes out. Keep the jaw closed.



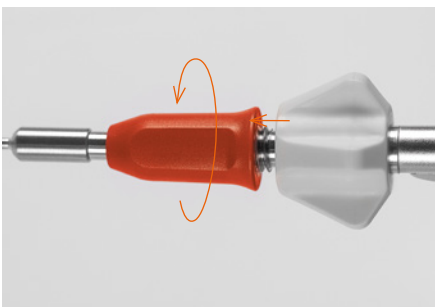
### STEP 3

Push back the locking nut.



### STEP 4

With the handle opened and the jaws kept closed, Insert the ball head into the socket.



### STEP 5

Close the handle. Shaft and insert will be retracted.  
Keep the handle closed.

Screw the locking nut onto the handle.

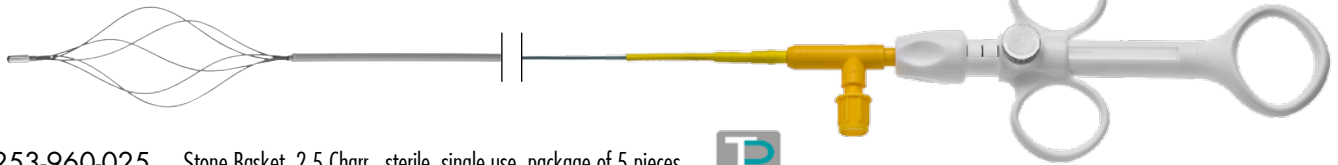


### DONE

Check the connection for being tight.

The knob rotates 360° and the handle as well as the jaw opens and closes.

### FLEXIBLE INSTRUMENTS



253-960-025 Stone Basket, 2.5 Charr., sterile, single use, package of 5 pieces



253-962-003 Brush for Cytology, 3.0 Charr., for single use, package of 5 pieces



253-940-005 3-Prongs Grasper, flexible, 600mm working length, 5 Charr.



253-585-005 Dormia Metal Stone Basket, flexible, 4 wires, 600mm working length, 5 Charr.

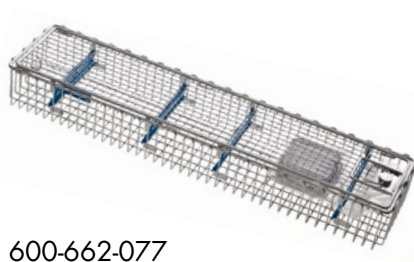
### Accessories



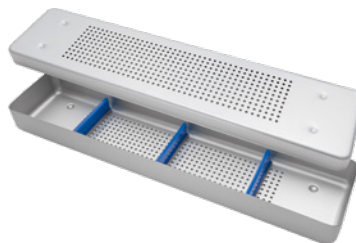
253-905-400  
Silicone Valve,  
package with 5 pieces



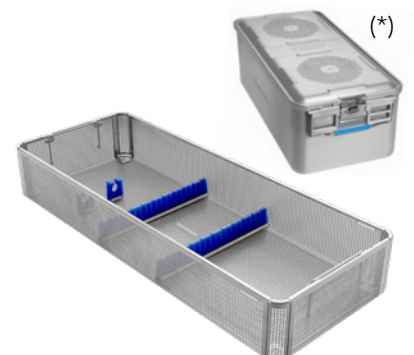
253-900-010  
Silicone Valve, package with 10 pieces,  
for use with very delicate instruments  
from 0.5 – 1.6mm diameter.



600-662-077  
Endoscopic wire basket for URS  
640 x 150 x 77mm

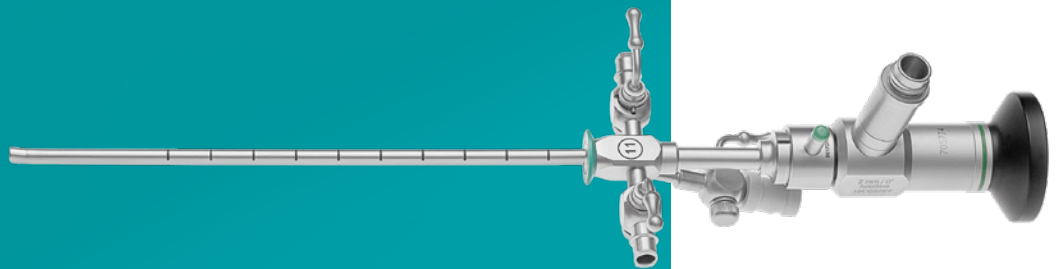


253-905-000  
Container for URS with silicone inserts  
640 x 140 x 60mm



Tray for URS and instruments  
600-662-540 Tray  
600-600-191 XL Container, Standard,  
bottom non perforated,  
732 x 280 x 190mm,  
silver lid (\*)

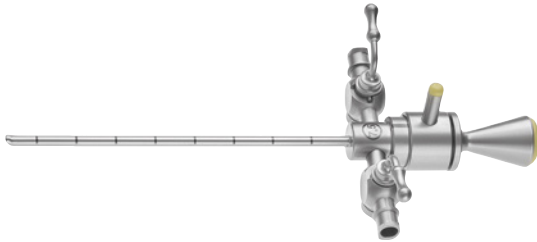
# PEDIATRIC



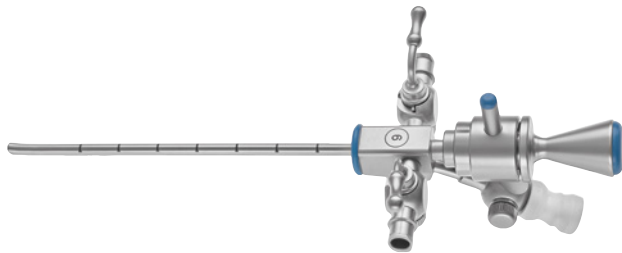
## CYSTO-URETHROSCOPE SET FOR NEW BORN



RZ Cystoscope, Ø 2.0mm  
 253-221-030 30°  
 253-221-000 0°

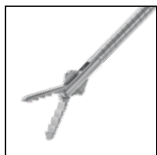
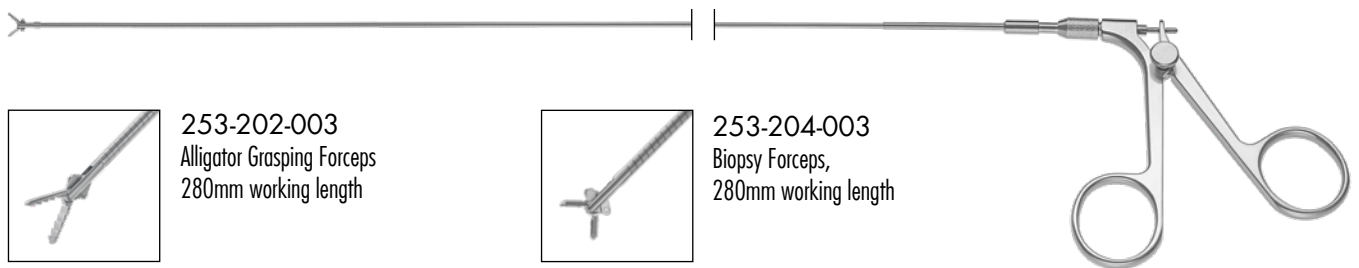


253-200-007 Cysto-Urethroscope Sheath, 7.5 Charr.



253-200-009 Cysto-Urethroscope Sheath, 9 Charr.,  
 with 3 Charr. Instrument Channel

## 3 Charr. Instruments for new born set



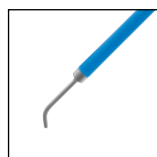
253-202-003  
 Alligator Grasping Forceps  
 280mm working length



253-204-003  
 Biopsy Forceps,  
 280mm working length

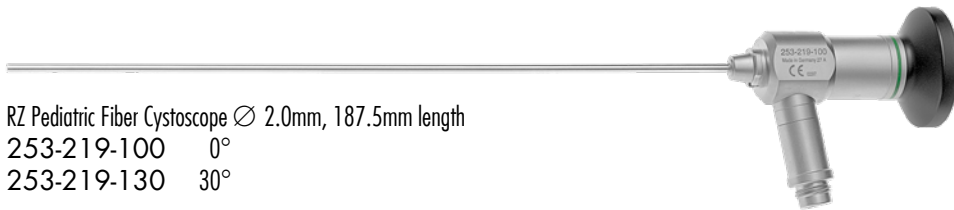
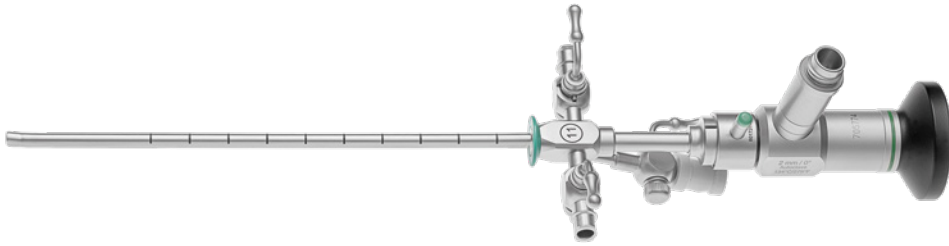


253-370-253  
 Ball Electrode,  
 250mm working length

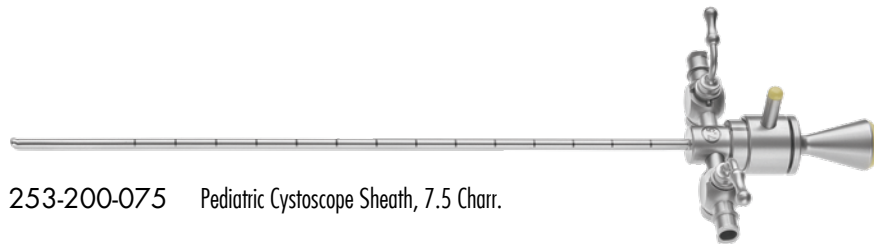


253-371-253  
 Needle Electrode,  
 250mm working length

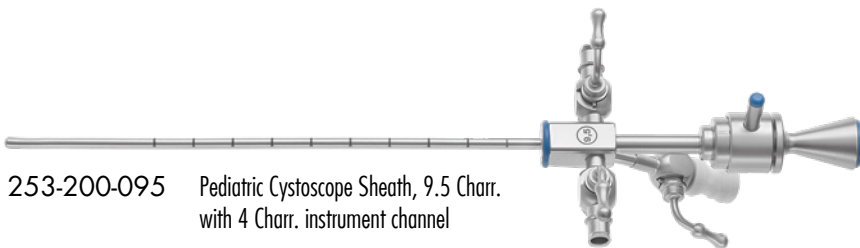
## Ø 2.0mm PEDIATRIC CYSTOSCOPY



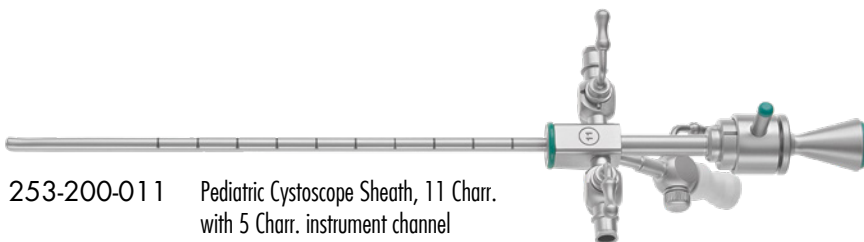
RZ Pediatric Fiber Cystoscope Ø 2.0mm, 187.5mm length  
 253-219-100 0°  
 253-219-130 30°



253-200-075 Pediatric Cystoscope Sheath, 7.5 Charr.



253-200-095 Pediatric Cystoscope Sheath, 9.5 Charr.  
 with 4 Charr. instrument channel

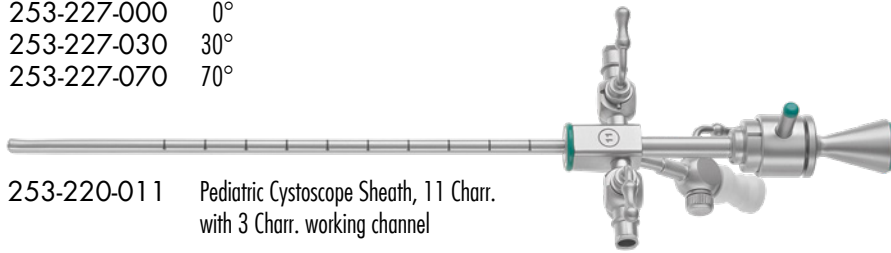


253-200-011 Pediatric Cystoscope Sheath, 11 Charr.  
 with 5 Charr. instrument channel

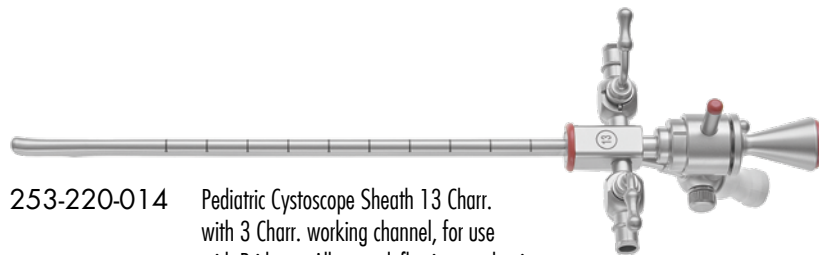
## Ø 2.7mm PEDIATRIC CYSTOSCOPY



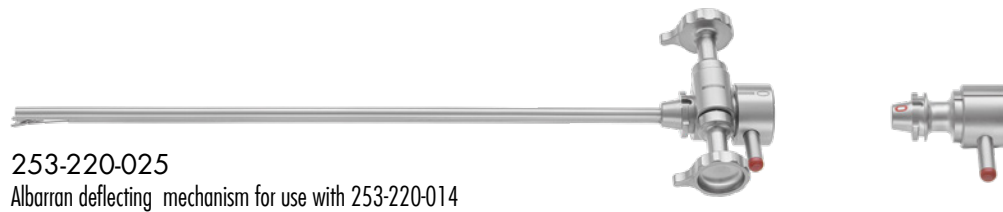
RZ Pediatric Cystoscope, 2.7mm diameter, 187.5mm working length  
 253-227-000 0°  
 253-227-030 30°  
 253-227-070 70°



253-220-011 Pediatric Cystoscope Sheath, 11 Charr.  
 with 3 Charr. working channel



253-220-014 Pediatric Cystoscope Sheath 13 Charr.  
 with 3 Charr. working channel, for use  
 with Bridge or Albarran deflecting mechanism




253-220-025  
 Albarran deflecting mechanism for use with 253-220-014


253-220-030  
 Bridge for use with 253-220-014

## 3 Charr. Instruments for Ø 2.0 / 2.7mm Pediatric Cystoscopy


280mm working length



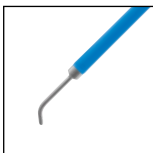
253-202-003  
Alligator Grasping Forceps



253-204-003  
Biopsy Forceps

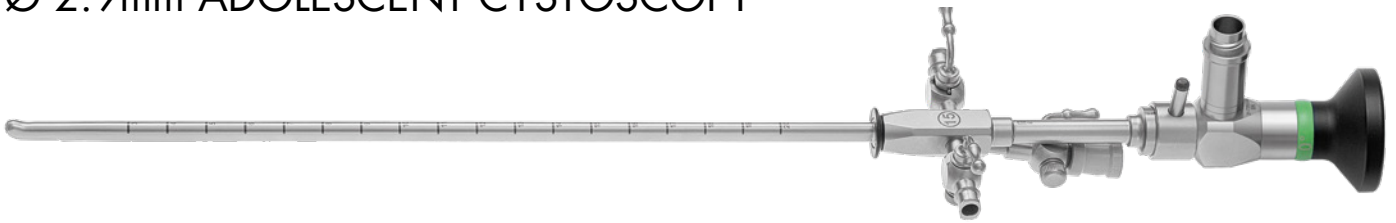


253-370-253  
Ball Electrode, 250mm length

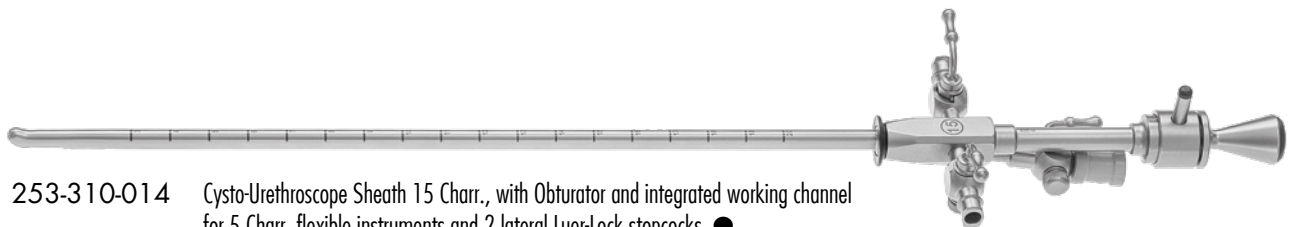


253-371-253  
Needle Electrode, 250mm length

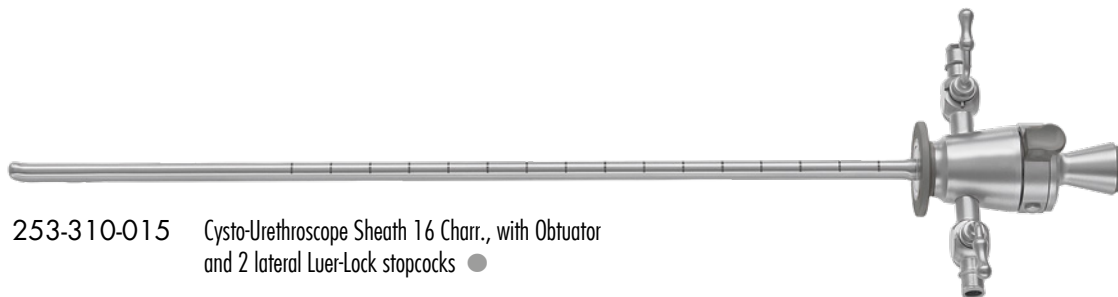
## Ø 2.9mm ADOLESCENT CYSTOSCOPY



RZ Cystoscope, Ø 2.9mm  
 253-829-000 0°  
 253-829-030 30°



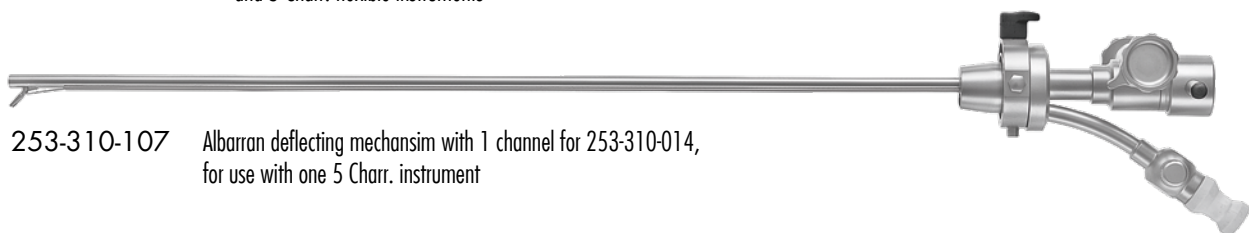
253-310-014 Cysto-Urethroscope Sheath 15 Charr., with Obturator and integrated working channel for 5 Charr. flexible instruments and 2 lateral Luer-Lock stopcocks ●



253-310-015 Cysto-Urethroscope Sheath 16 Charr., with Obturator and 2 lateral Luer-Lock stopcocks ●

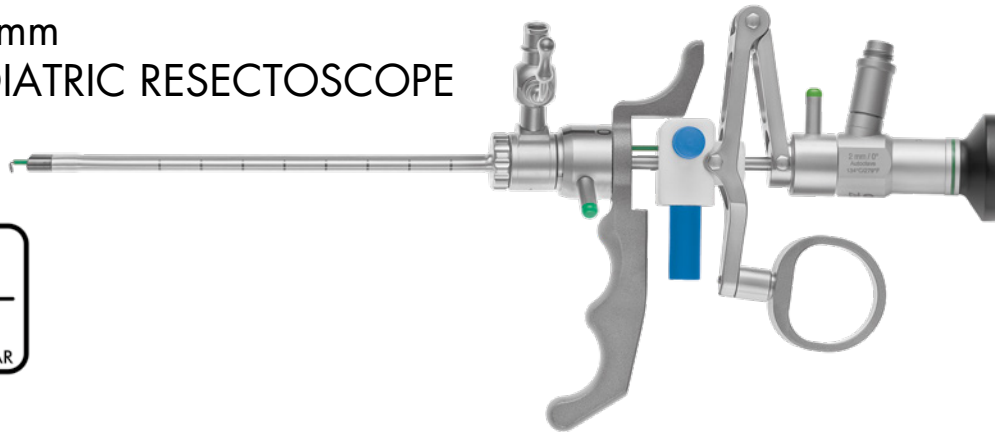


**1** 253-310-100 Telescope bridge without channel  
**2** 253-310-101 Telescope bridge with 1 channel for use with 253-310-014 and 5 Charr. flexible instruments

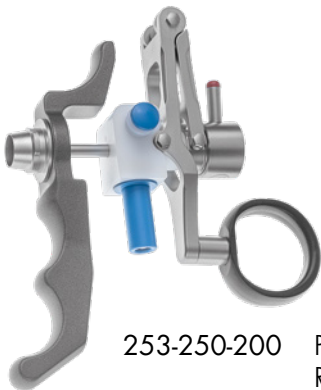


253-310-107 Albarran deflecting mechanism with 1 channel for 253-310-014, for use with one 5 Charr. instrument

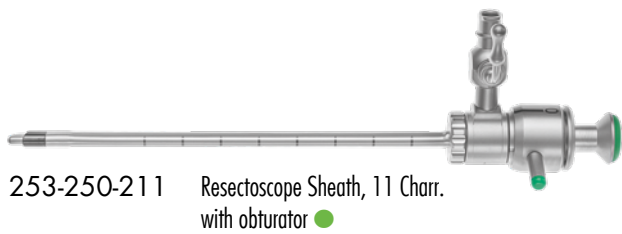
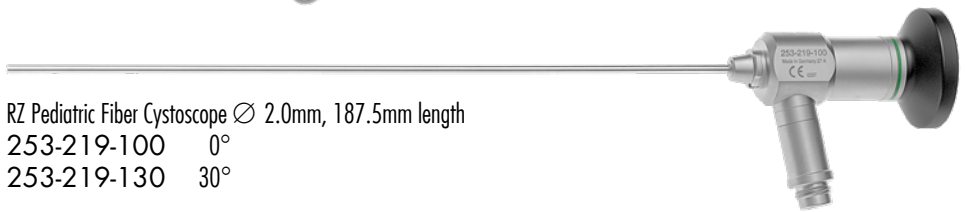
## Ø 2.0mm PEDIATRIC RESECTOSCOPE



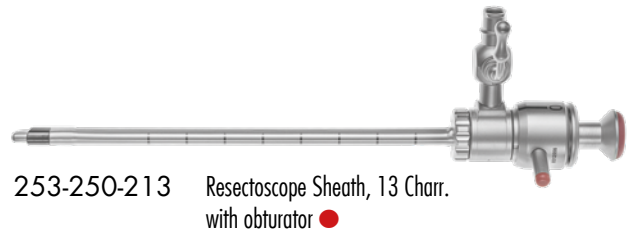
RZ Pediatric Fiber Cystoscope Ø 2.0mm, 187.5mm length  
 253-219-100 0°  
 253-219-130 30°



253-250-200 Passive working element for use with Ø 2.0mm RZ Fiber Cystoscope 253-219-100



253-250-211 Resectoscope Sheath, 11 Charr. with obturator ●

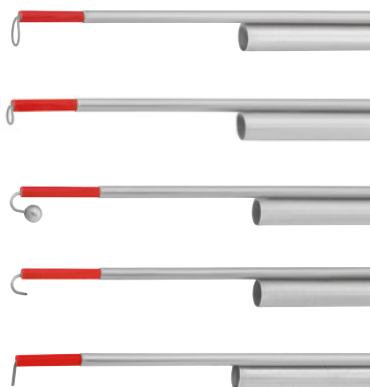


253-250-213 Resectoscope Sheath, 13 Charr. with obturator ●

## Electrodes

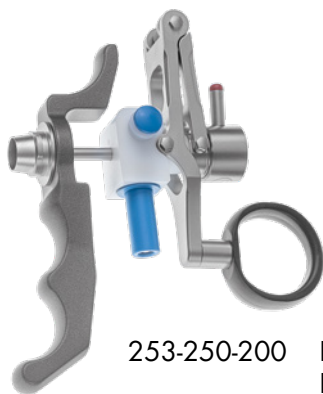
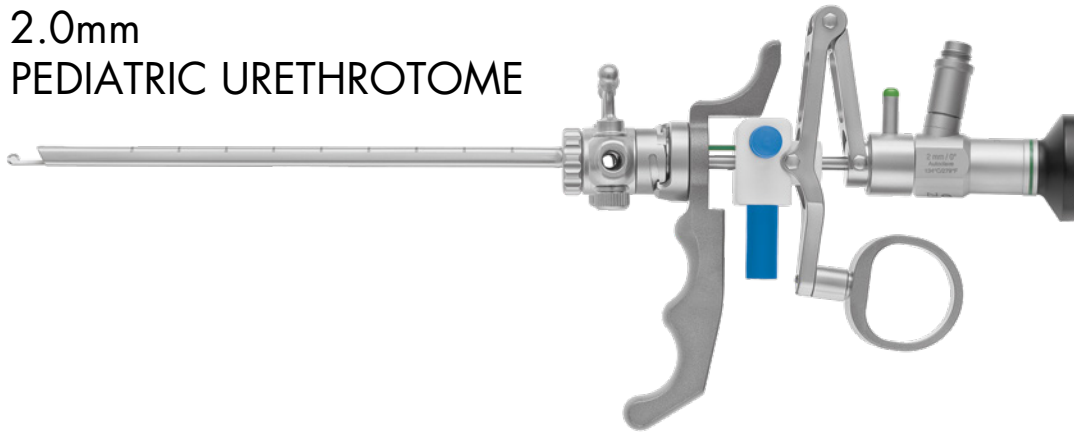
**11**  
CHARR.

**13**  
CHARR.



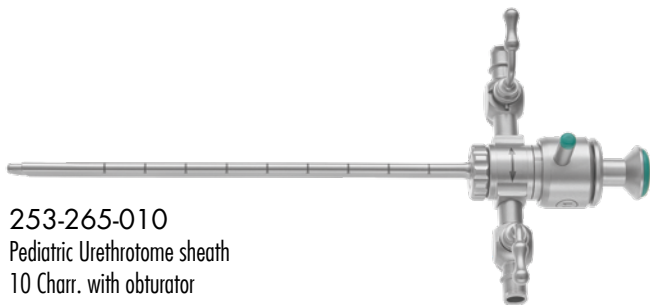
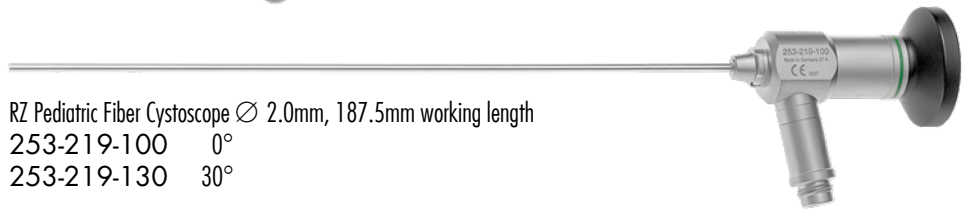
	11 CHARR.	13 CHARR.
Cutting Loop	253-251-111	253-252-111
Coagulation Electrode, blunt	253-251-112	253-252-112
Hook Electrode with ball	253-251-113	253-252-113
Hook Electrode without ball	253-251-114	253-252-114
Needle Electrode, pointed	253-251-115	253-252-115

## Ø 2.0mm PEDIATRIC URETHROTOME



253-250-200 Passive working element for use with Ø 2.0mm RZ Fiber Cystoscope 253-219-100

RZ Pediatric Fiber Cystoscope Ø 2.0mm, 187.5mm working length  
 253-219-100 0°  
 253-219-130 30°



253-265-010  
 Pediatric Urethrotome sheath  
 10 Charr. with obturator



253-255-001 Bridge with 1 channel

## Electrodes



Knife with straight cutting edge 253-265-101



Round knife 253-265-102

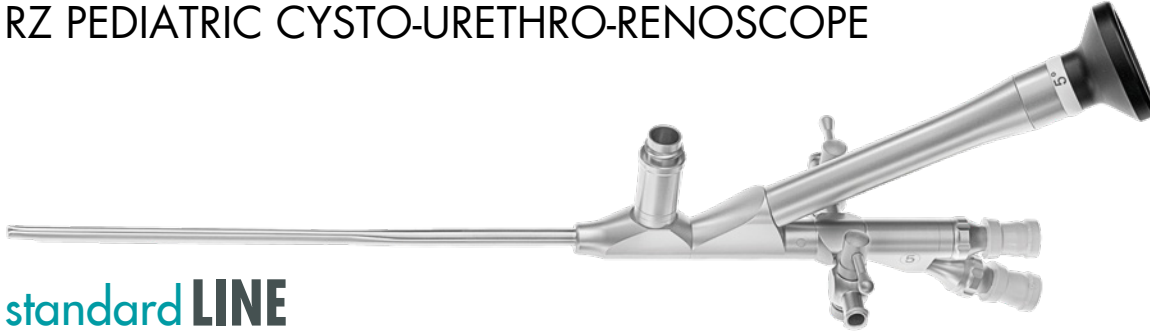


Sickle Knife 253-265-103



Hook Knife 253-265-104

## RZ PEDIATRIC CYSTO-URETHRO-RENOSCOPE



### standard LINE

253-200-100 150mm

**7.5**  
CHARR.

DISTAL

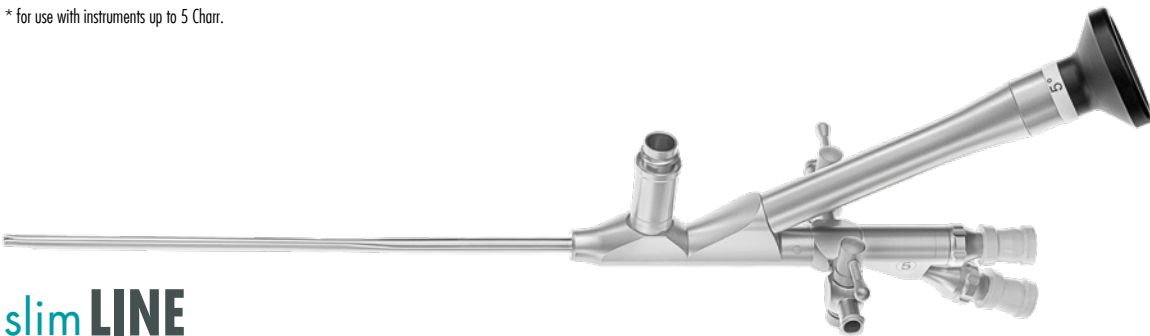
**9.5**  
CHARR.

PROXIMAL

**6.0**  
CHARR.

WORKING  
CHANNEL\*

\* for use with instruments up to 5 Charr.



### slim LINE

253-200-500 150mm

**6.0**  
CHARR.

DISTAL

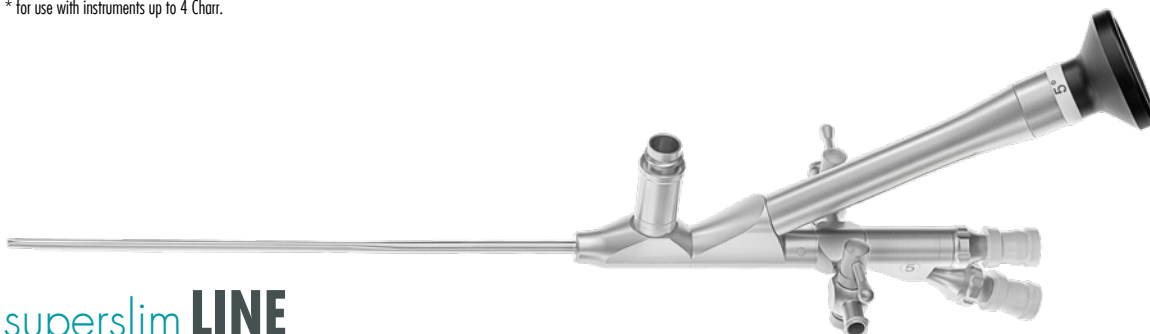
**7.5**  
CHARR.

PROXIMAL

**5.0**  
CHARR.

WORKING  
CHANNEL\*

\* for use with instruments up to 4 Charr.



### superslim LINE

253-200-600 150mm

**4.5**  
CHARR.

DISTAL

**6.0**  
CHARR.

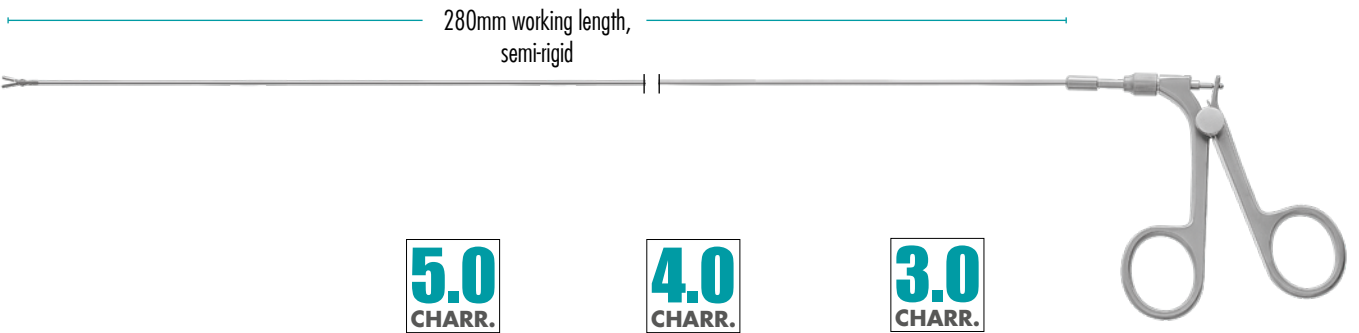
PROXIMAL

**3.5**  
CHARR.

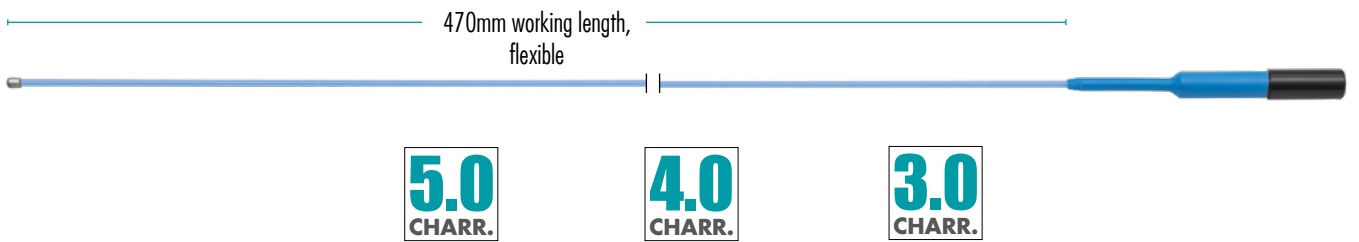
WORKING  
CHANNEL\*

\* for use with instruments up to 3 Charr.

## INSTRUMENTS FOR PEDIATRIC CYSTO-URETHROTOMES



	253-200-128	253-204-128	253-203-128	Stone Grasping Forceps, double action jaws
	253-200-228	253-204-228	253-203-228	Large Stone Grasping Forceps, double action jaws
	253-200-328	253-204-328	253-203-328	Biopsy Forceps, double action
	253-200-428	253-204-428	253-203-428	Scissors, single action



	253-370-005	253-370-004	253-370-003	Ball Electrode
	253-371-005		253-371-003	Needle Electrode



## HIGH FREQUENCY CABLES

for RZ pediatric resectoscope systems, 4.5m length



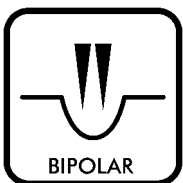
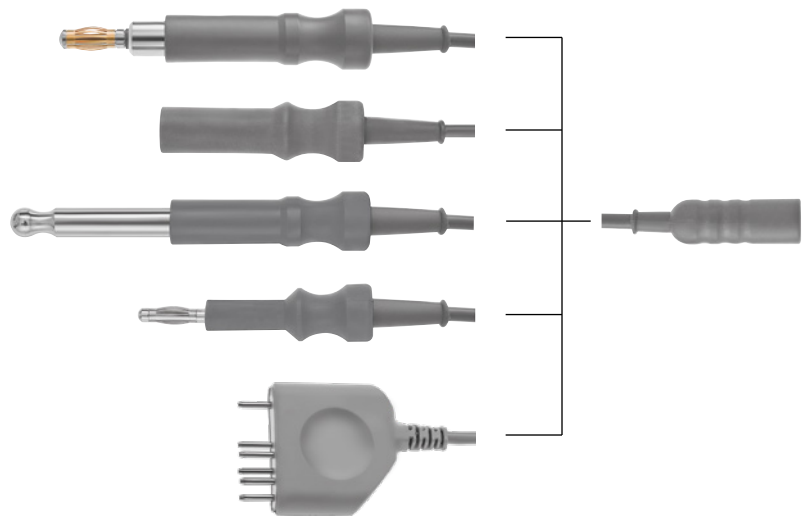
253-610-001\* with 5 mm plug for Erbe HF-unit

253-610-002\* with 4 mm plug for Martin HF-unit

253-610-003\* with 8 mm plug for Valleylab HF-unit

253-610-004\* with 4 mm plug for older HF-units

700-501-453\* SDS plug

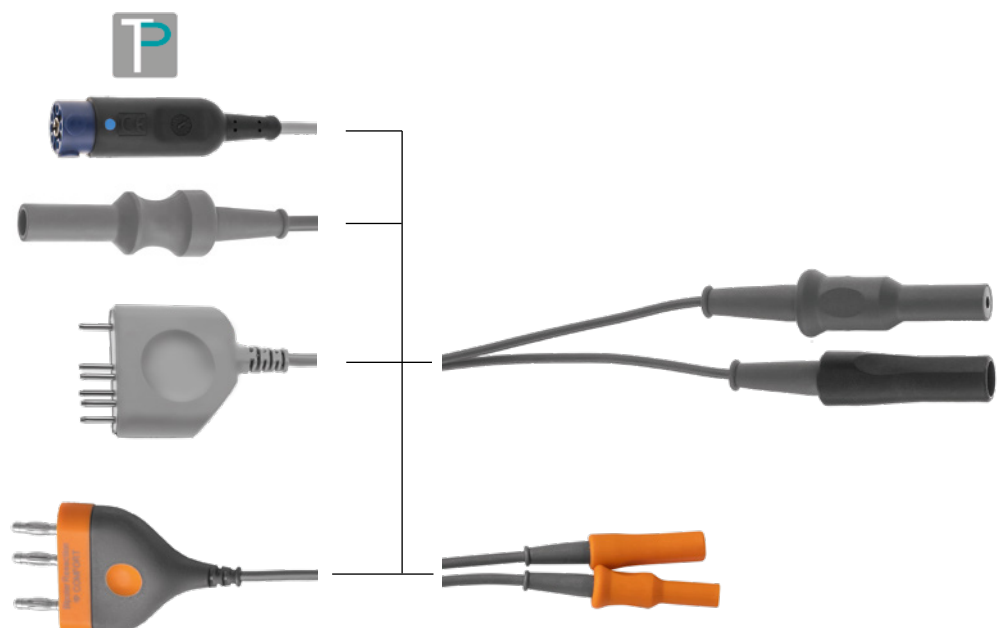


253-400-601 for Erbe HF-unit

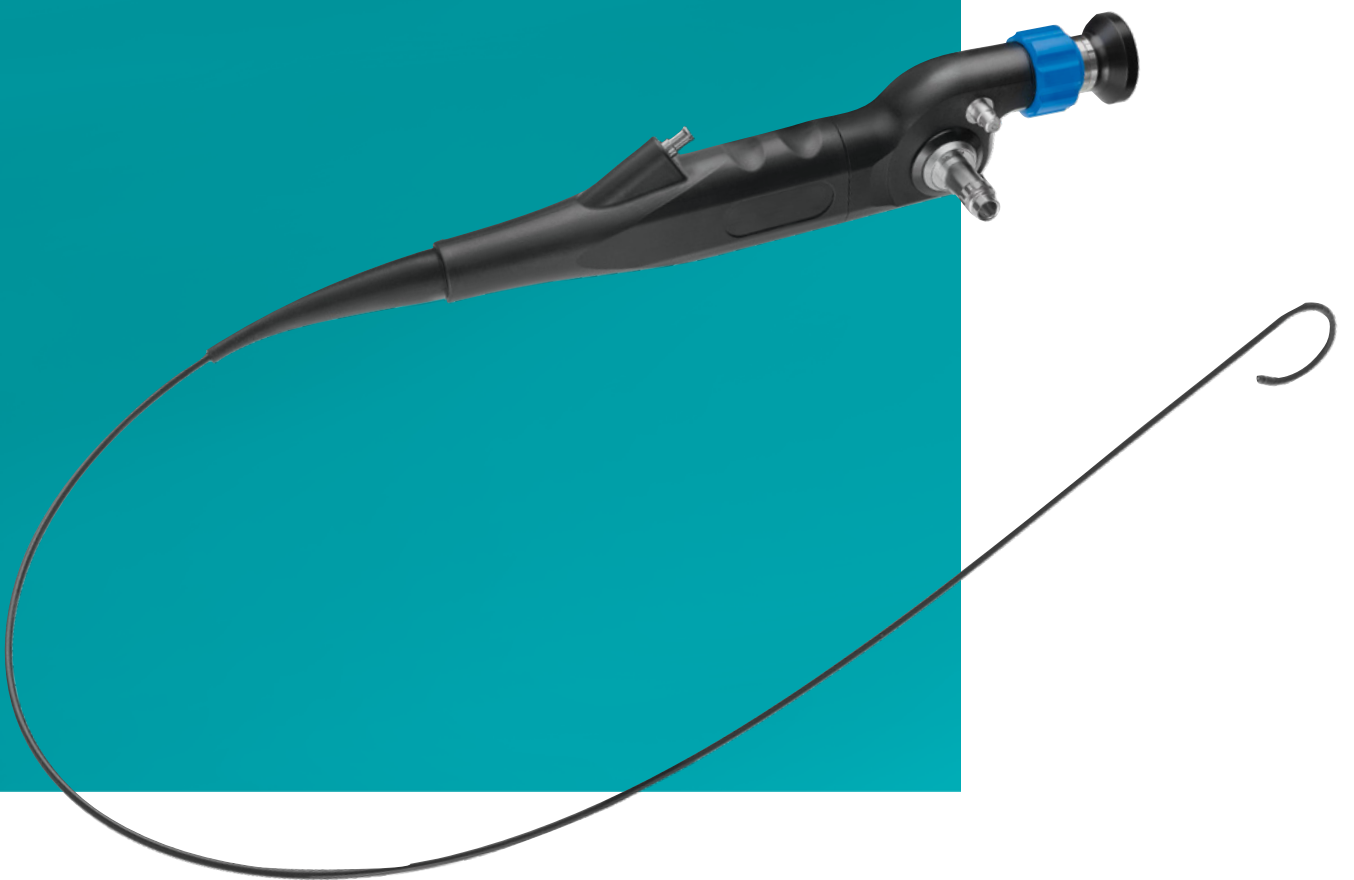
253-400-602 for Martin HF-unit

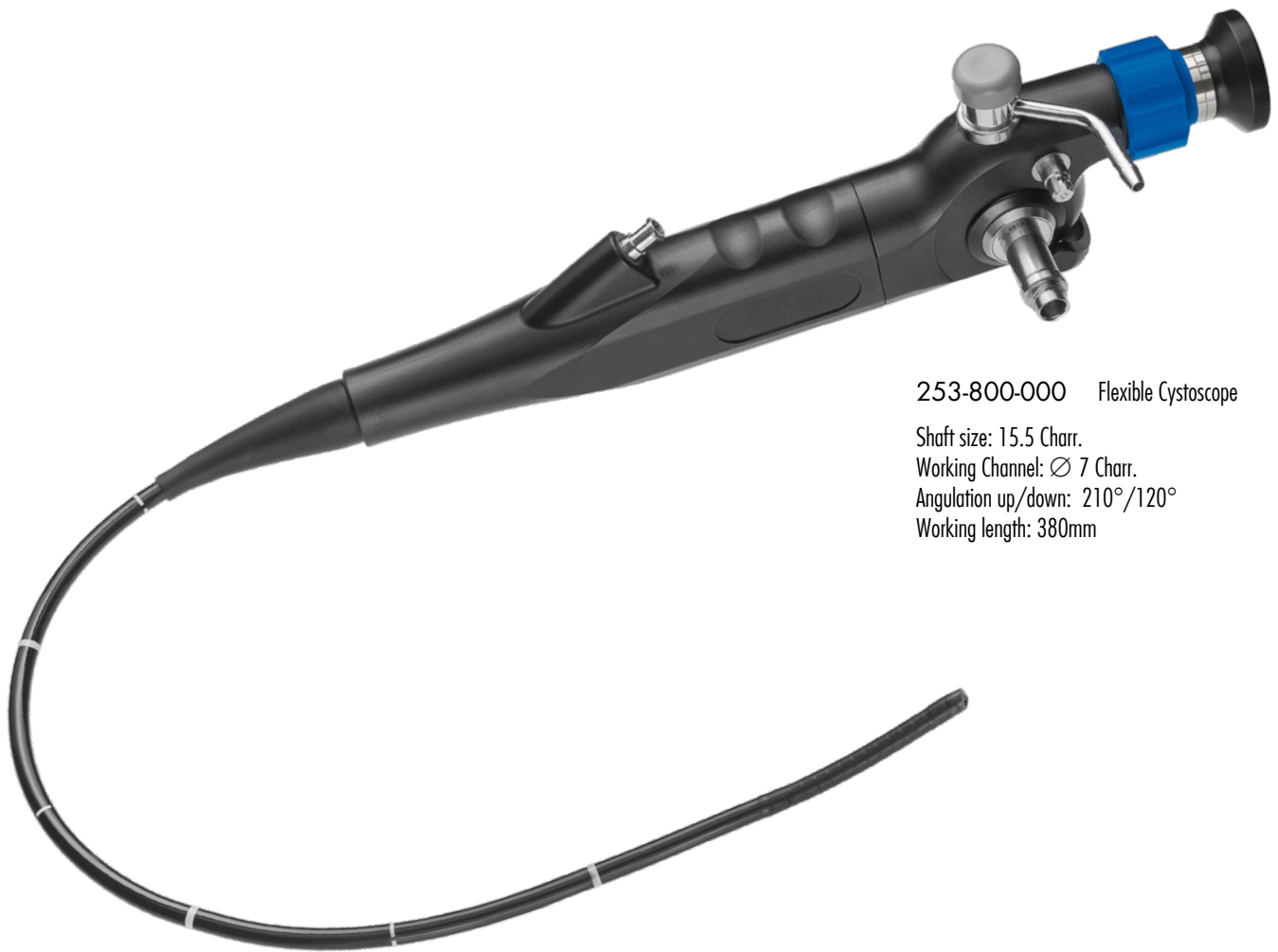
700-500-453 SDS plug

253-400-606 for BOWA



# DEVICES AND FLEXIBLE INSTRUMENTS





253-800-000 Flexible Cystoscope

Shaft size: 15.5 Charr.  
 Working Channel:  $\varnothing$  7 Charr.  
 Angulation up/down: 210°/120°  
 Working length: 380mm



Shaft size: 15.5 Charr.  
 Slimline Sheath for  
 easy insertion



Angulation: 210°/120°



7 Charr. working  
 channel



Universal suction system



253-800-900 Flexible Uretero-Renoscope

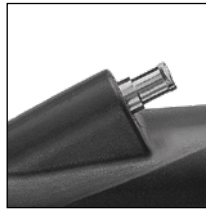
Shaft size: 7.5 Charr.  
 WorkingChannel:  $\varnothing$  3.6 Charr.  
 Angulation up/down: 275°/275°  
 Working length: 680mm



Shaft size: 7.5 Charr.  
 Slimline sheath for easy insertion



Angulation:  
 275° / 275°

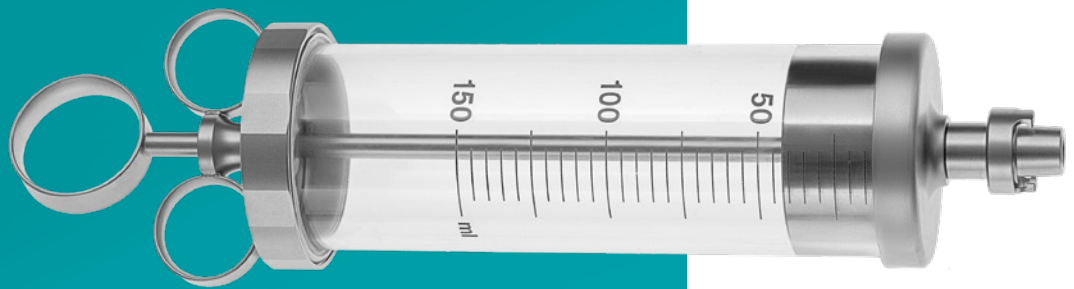


3.6 Charr. working channel



Ergonomic grip

# ACCESSORIES



## SYRINGES & EVACUATORS

with Turn Lock connection to connect to RZ Cystoscope and Resectoscope sheaths



TOOMEY Bladder Syringe  
253-000-850 50cc



Bladder Syringe		Spare Glass Cylinder	
253-000-975	75cc	253-000-976	75cc
253-000-900	100cc	253-000-901	100cc
253-000-950*	150cc	253-000-951	150cc



Elik Evacuator  
253-500-000 with turn lock connection  
253-500-001 with standard connection

- 1** 253-500-003 Rubber ball
- 2** 253-500-004 Glass body
- 3** 253-500-020 Turn Lock connector with silicone tube
- 4** 253-500-010 Standard connector with silicone tube

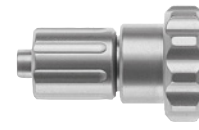
### ADAPTORS & VALVES



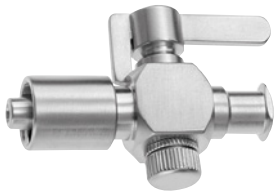
300-011-181\* Luer-Lock tube connector,  
9mm



300-011-506\* Luer-Lock tube connector,  
6mm



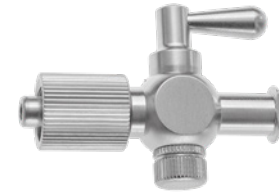
300-011-184\* Luer-Lock Tuohy  
Borst Adapter



300-011-178 Luer-Lock one-way stop-cock  
with spring screw cap



300-011-179\* Luer-Lock tube connector  
with stopcock



300-011-515\* Luer-Lock one-way  
stopcock



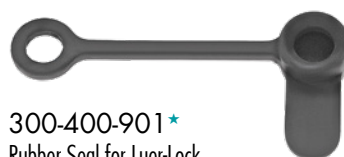
Rubber sealing cap  
301-701-100\* Grey /  $\varnothing$  1.0mm  
301-701-060 Green /  $\varnothing$  0.6mm  
301-701-030 Red /  $\varnothing$  0.3mm



351-905-105 Disposable Silicone Valve  
with Luer-Lock connection  
for use with 3 - 10 Charr.  
instruments, package with  
10 pieces, sterile packed



300-400-900\* Rubber Seal for  
Luer-Lock connectors



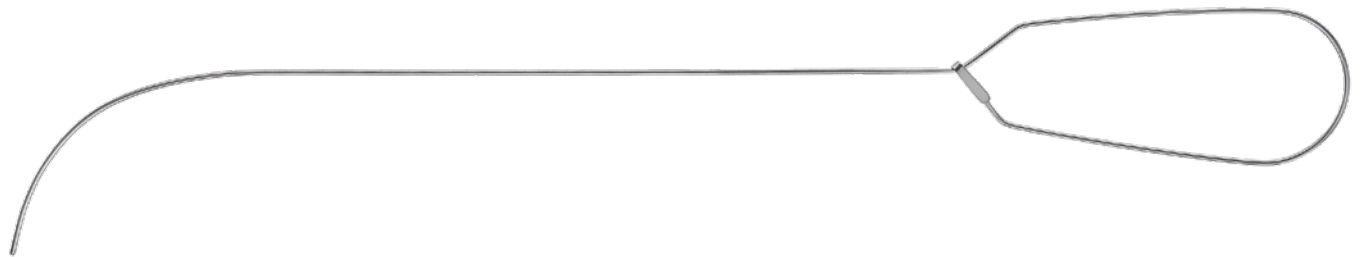
300-400-901\* Rubber Seal for Luer-Lock  
connectors

## CATHETERS



Guyon Catheter Spanner & Introducer

- 1** 253-310-390\* curved, 390mm
- 2** 253-310-392 straight, 400mm



320-603-455 Foley Catheter Spanner & Introducer, curved, 455mm



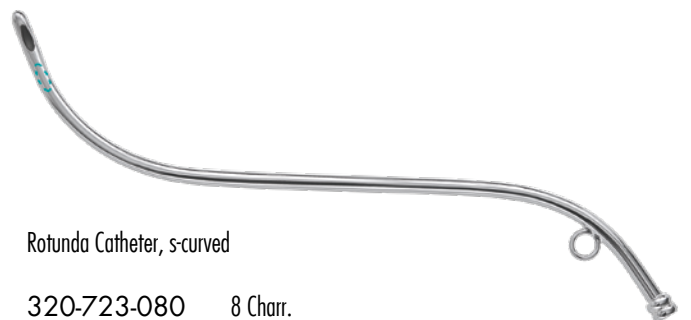
Catheter for male

320-720-080	8 Charr.	320-720-180	18 Charr.
320-720-100	10 Charr.	320-720-200	20 Charr.
320-720-120	12 Charr.	320-720-220	22 Charr.
320-720-140	14 Charr.	320-720-240	24 Charr.
320-720-160	16 Charr.		



Catheter for female

320-721-080	8 Charr.
320-721-100	10 Charr.
320-721-120	12 Charr.
320-721-140	14 Charr.
320-721-160	16 Charr.
320-721-180	18 Charr.
320-721-200	20 Charr.
320-721-220	22 Charr.
320-721-240	24 Charr.



Rotunda Catheter, s-curved

320-723-080	8 Charr.
320-723-100	10 Charr.
320-723-120	12 Charr.
320-723-140	14 Charr.
320-723-160	16 Charr.
320-723-180	18 Charr.
320-723-200	20 Charr.
320-723-220	22 Charr.
320-723-240	24 Charr.

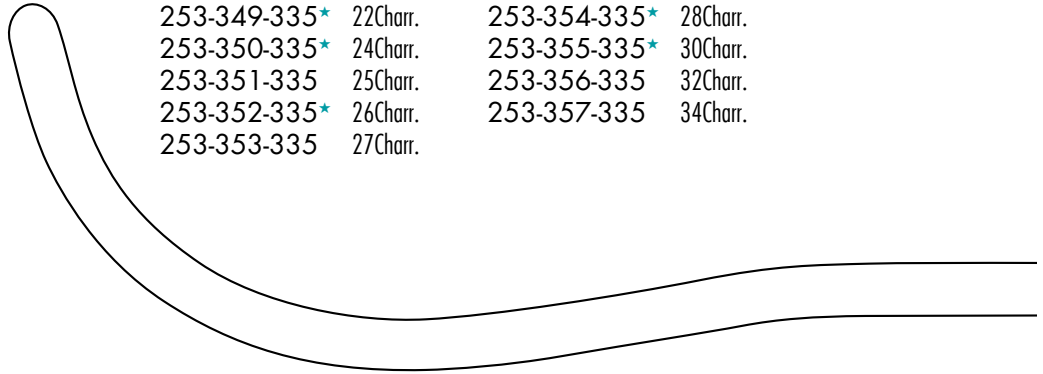
## BOUGIES



Guyon Bougie, strongly curved

- 253-340-335\* 8 Charr.
- 253-341-335 9 Charr.
- 253-342-335\* 10 Charr.
- 253-343-335 11 Charr.
- 253-344-335\* 12 Charr.
- 253-345-335\* 14 Charr.
- 253-346-335\* 16 Charr.
- 253-347-335\* 18 Charr.
- 253-348-335\* 20 Charr.

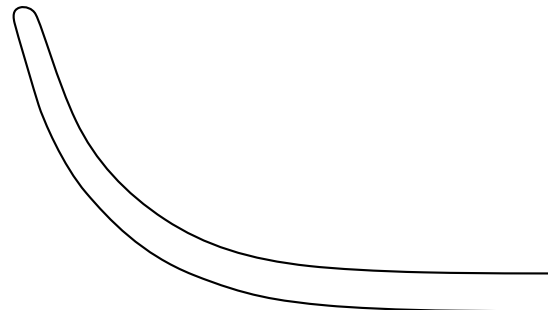
- |                       |                       |
|-----------------------|-----------------------|
| 253-349-335* 22Charr. | 253-354-335* 28Charr. |
| 253-350-335* 24Charr. | 253-355-335* 30Charr. |
| 253-351-335 25Charr.  | 253-356-335 32Charr.  |
| 253-352-335* 26Charr. | 253-357-335 34Charr.  |
| 253-353-335 27Charr.  |                       |



Van Buren Bougie, acutely curved

- 253-650-010\* 10 Charr.
- 253-650-012\* 12 Charr.
- 253-650-014\* 14 Charr.
- 253-650-016\* 16 Charr.
- 253-650-018\* 18 Charr.
- 253-650-020\* 20 Charr.
- 253-650-022\* 22 Charr.

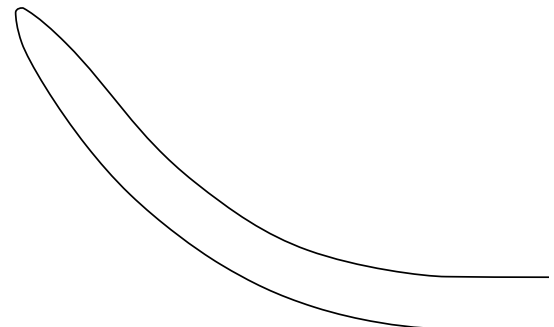
- 253-650-024\* 24 Charr.
- 253-650-026\* 26 Charr.
- 253-650-028\* 28 Charr.
- 253-650-030\* 30 Charr.
- 253-650-032 32 Charr.
- 253-650-034 34 Charr.
- 253-650-036 36 Charr.



Dittel Bougie, slightly curved

- 253-320-335\* 8 Charr.
- 253-321-335 9 Charr.
- 253-322-335\* 10 Charr.
- 253-323-335 11 Charr.
- 253-324-335\* 12 Charr.
- 253-325-335\* 14 Charr.
- 253-326-335\* 16 Charr.
- 253-327-335\* 18 Charr.
- 253-328-335\* 20 Charr.

- 253-329-335\* 22 Charr.
- 253-330-335\* 24 Charr.
- 253-331-335 25 Charr.
- 253-332-335\* 26 Charr.
- 253-333-335 27 Charr.
- 253-334-335\* 28 Charr.
- 253-335-335\* 30 Charr.
- 253-336-335 32 Charr.
- 253-337-335 34 Charr.



## BOUGIES & DILATORS



OTIS Bougie à Boule  
 253-370-009 9 - 12 - 15 - 18 Charr.  
 253-370-021 21 - 24 - 27 - 30 Charr.



Dittel Bougie, straight

253-320-225	8 Charr.	253-329-225	22 Charr.
253-321-225	9 Charr.	253-330-225	24 Charr.
253-322-225	10 Charr.	253-331-225	25 Charr.
253-323-225	11 Charr.	253-332-225	26 Charr.
253-324-225	12 Charr.	253-333-225	27 Charr.
253-325-225	14 Charr.	253-334-225	28 Charr.
253-326-225	16 Charr.	253-335-225	30 Charr.
253-327-225	18 Charr.	253-336-225	32 Charr.
253-328-225	20 Charr.	253-337-225	34 Charr.



RZ Orifice Dilator  
 253-375-010 10 - 20 Charr.  
 253-375-015 15 - 30 Charr.



Ureteral Dilator, flexible, 500mm



253-920-090 9.0 Charr.



253-920-135 13.5 Charr.



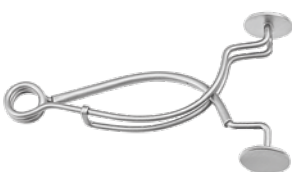
253-920-105 10.5 Charr.



253-920-150 15.0 Charr.



253-920-120 12.0 Charr.

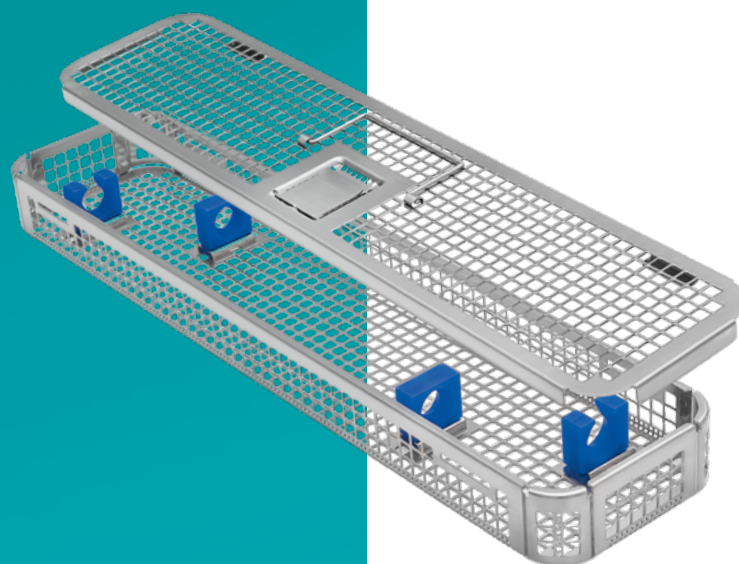


320-998-000 Stockmann Meatus Clamp, 8cm



320-999-000\* Strauss Penis Seizing Forceps, 13cm

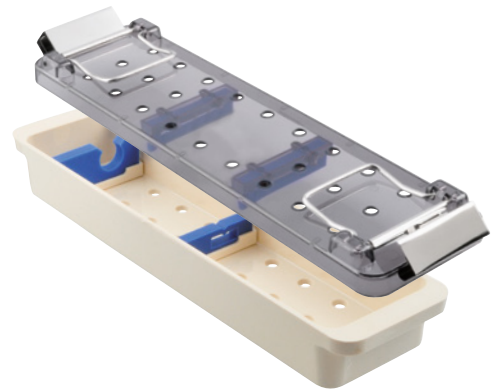
# CLEANING



### SAFE + CLEAN ENDOSCOPE PLASTIC CONTAINER with silicone bars on base and lid

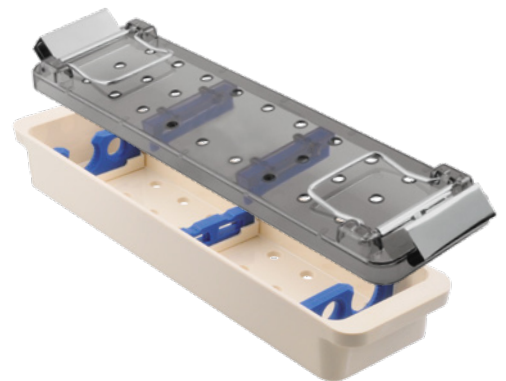
600-505-000

Endoscopes	1 (∅ 1-10mm)
Endoscope length	max. 270mm
Dimensions	271 x 70 x 35mm



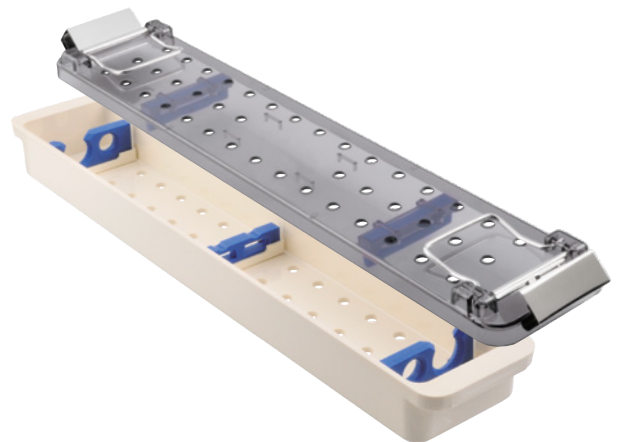
600-505-002

Endoscopes	max. 2
Endoscope length	max. 190mm
Dimensions	271 x 70 x 35mm



600-506-002\*

Endoscopes	max. 2
Endoscope length	max. 390mm
Dimensions	394 x 70 x 35mm



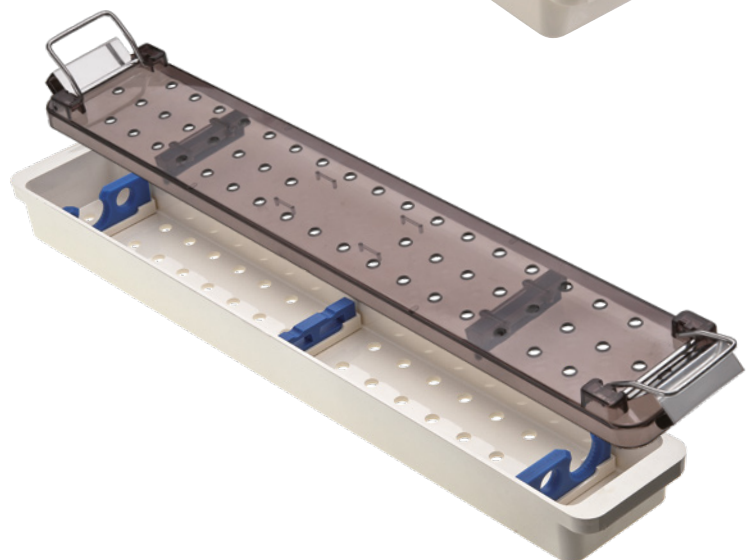
600-501-000

Endoscopes 1

600-501-002

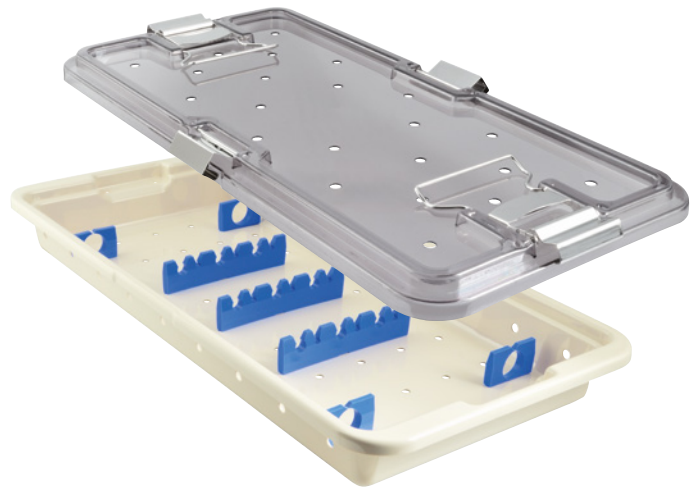
Endoscopes max. 2

Endoscope length	max. 450mm
Dimensions	457 x 70 x 35mm

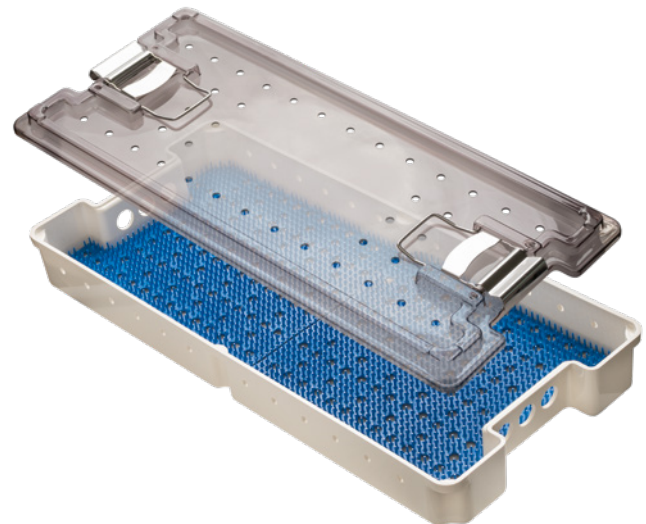


### ENDOSCOPE & INSTRUMENT CONTAINERS

600-508-000	for scopes and light guide cables
Endoscopes	max. 3 (Ø 5-10mm)
Fiber Optic Light Cable	1
Endoscope length	max. 450mm
Dimensions	465 x 212 x 51mm



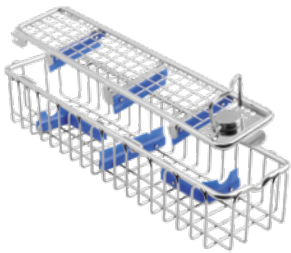
600-464-229	for fixation of instruments with rubber ties
Dimensions	464 x 229 x 51mm



600-511-000	for instruments with rubber ties on 2 levels
Dimensions	502 x 239 x 102mm

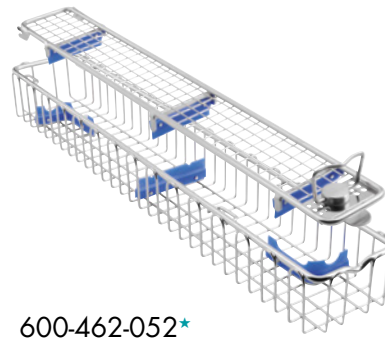


### ENDOSCOPE CLEANING BASKETS & CONTAINERS with silicone bars on base and lid



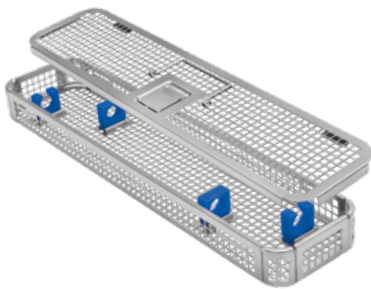
600-292-052\*

Endoscopes	max. 2
Endoscope length	max. 190mm
Dimensions	290 x 80 x 52mm

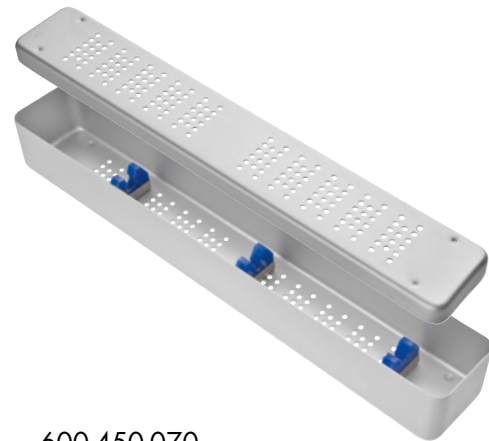


600-462-052\*

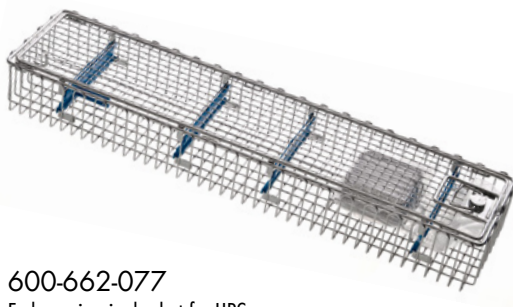
Endoscopes	max. 2
Endoscope length	max. 350mm
Dimensions	460 x 80 x 52mm



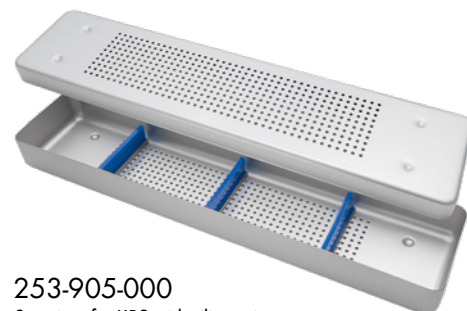
600-460-055	Endoscopes 1
600-460-056	Endoscopes max. 2
Endoscope length	max. 340mm
Dimensions	455 x 86 x 43mm



600-450-070	Endoscopes max. 2
Endoscope length	max. 330mm
Dimensions	450 x 70 x 70mm

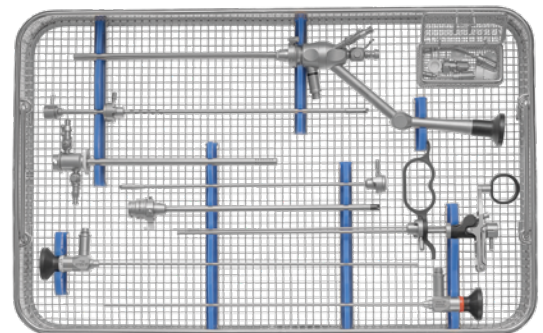
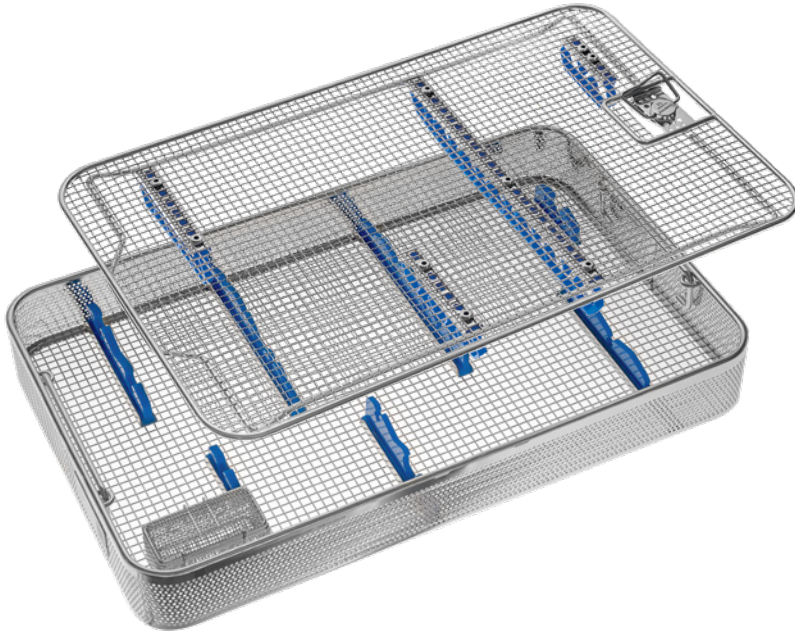


600-662-077  
Endoscopic wire basket for URS  
640 x 150 x 77mm

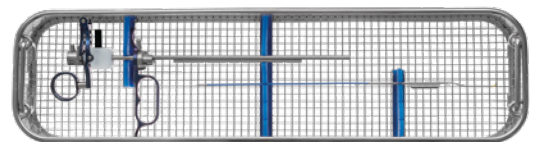
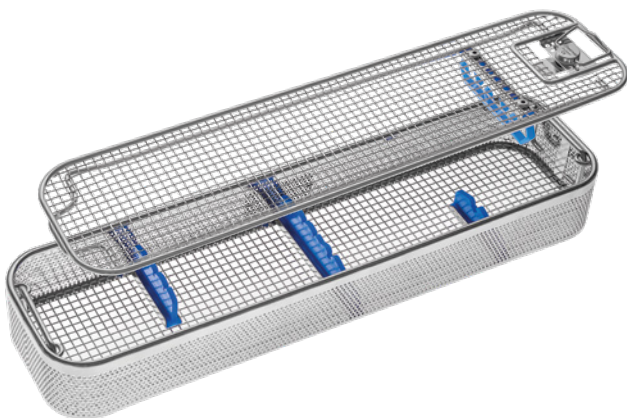


253-905-000  
Container for URS with silicone inserts  
640 x 140 x 60mm

## TRAYS FOR MiLEP SYSTEM



600-605-220 MiLEP Wire Basket  
480 x 300 x 60mm



600-605-411 Wire basket for 22 Charr. Resectoscope  
480 x 125 x 60mm



**1/1**

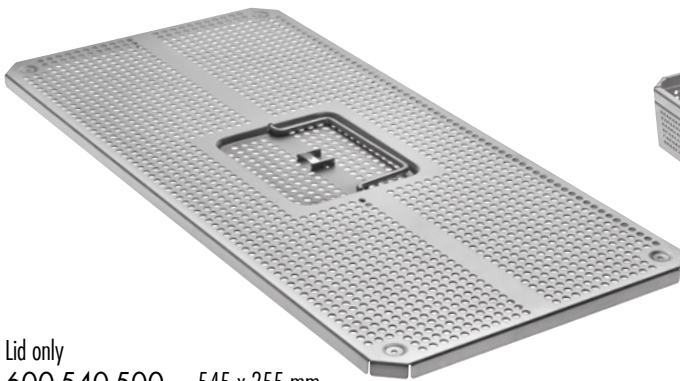
Stainless Steel Basket,  
round perforation, with lid

Length

545mm / 485mm

complete

600-540-535	545 x 255 x 35mm
600-540-555	545 x 255 x 55mm
600-540-575	545 x 255 x 75mm
600-540-605	545 x 255 x 105mm
600-485-535	485 x 255 x 35mm
600-485-555	485 x 255 x 55mm
600-485-575	485 x 255 x 75mm
600-485-605	485 x 255 x 105mm



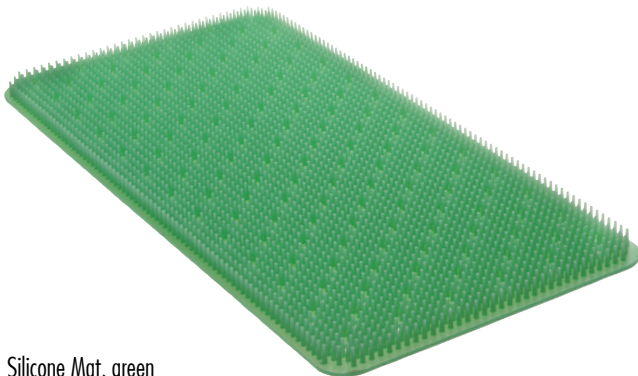
Lid only

600-540-500	545 x 255 mm
600-485-500	485 x 255 mm



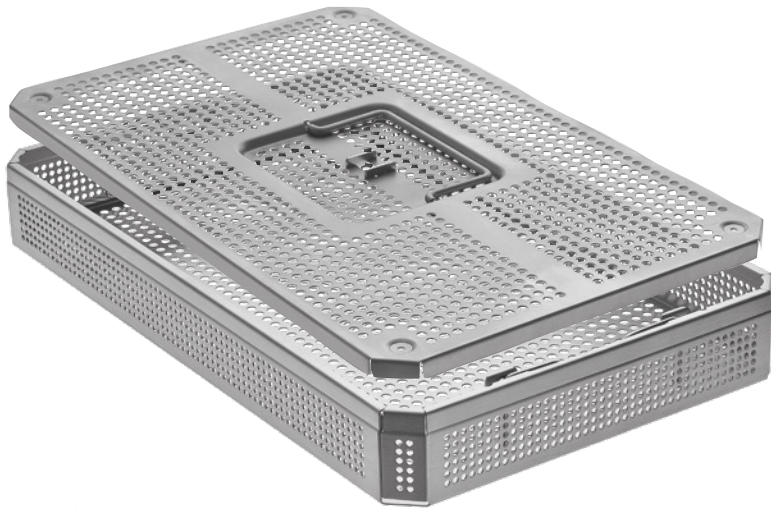
Bottom only

600-540-530	545 x 255 x 30mm
600-540-550	545 x 255 x 50mm
600-540-570	545 x 255 x 70mm
600-540-600	545 x 255 x 100mm
600-485-530	485 x 255 x 30mm
600-485-550	485 x 255 x 50mm
600-485-570	485 x 255 x 70mm
600-485-600	485 x 255 x 100mm



Silicone Mat, green

600-281-004	520 x 230mm
600-281-003	440 x 230mm



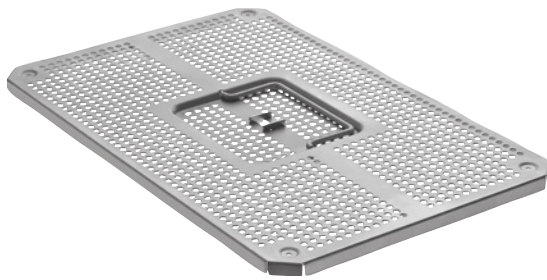
### 3/4

Stainless Steel Basket,  
round perforation, with lid

Length

405mm

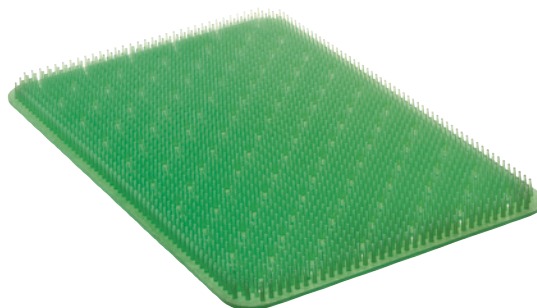
600-405-535 405 x 255 x 35mm  
 600-405-555 405 x 255 x 55mm  
 600-405-575 405 x 255 x 75mm  
 600-405-605 405 x 255 x 105mm



Lid only  
 600-405-500 405 x 255 mm



Bottom only  
 600-405-530 405 x 255 x 30mm  
 600-405-550 405 x 255 x 50mm  
 600-405-570 405 x 255 x 70mm  
 600-405-600 405 x 255 x 100mm



600-281-002 Silicone Mat green, 380 x 230mm



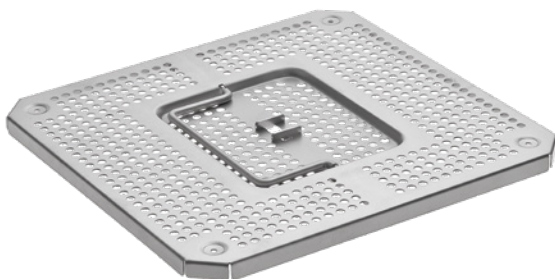
# 1/2

Stainless Steel Basket,  
round perforation, with lid

Length

255mm

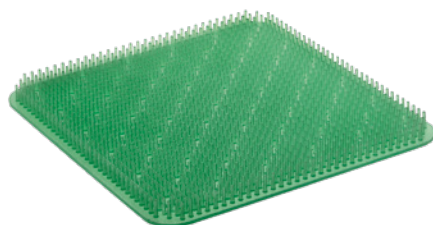
- 600-255-535 255 x 245 x 35mm
- 600-255-555 255 x 245 x 55mm
- 600-255-575 255 x 245 x 75mm
- 600-255-605 255 x 245 x 105mm



- Lid only
- 600-255-500 255 x 245 mm



- Bottom only
- 600-255-530 255 x 245 x 30mm
- 600-255-550 255 x 245 x 50mm
- 600-255-570 243 x 253 x 67mm
- 600-255-600 255 x 245 x 100mm



- 600-281-001 Silicone Mat green, 220 x 230mm

## Cleaning



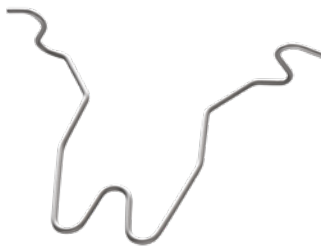
600-100-000  
RZ-Aquajet  
Water Jet Pistol complete  
with 9 tips and 1m pressure  
tubing, with strap and  
suspension hook



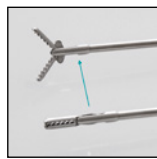
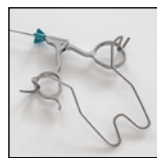
600-050-000  
Hand brush, autoclavable  
(10 pcs. per box)



600-950-100  
RZ - Brush dispenser  
for 10 brushes with suspension hook



660-166-100  
Holding Device for cleaning & sterilization



700-900-110  
Lubricant for stopcocks



700-900-120  
Instrument Oil Dispenser,  
18ml



Cleaning brush (1 piece per box), 500mm length  
300-135-905 for  $\varnothing$  5 mm  
300-135-910 for  $\varnothing$  10 mm



300-215-000 Cleaning Brush,  $\varnothing$  13mm, 215mm length, 60mm brush length



300-420-065 Cleaning Brush,  $\varnothing$  3mm, 420mm length, 65mm brush length

## EQUIPMENT



## CONSENS ICG/NIR FLUORESCENCE CAMERA SOLUTION

The visualization  
platform VP2

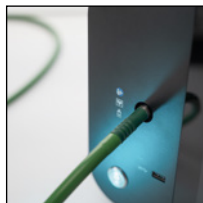
**4K**



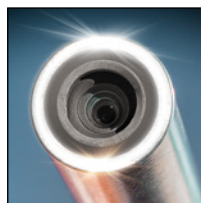
- Camera, illumination and recording combined in a single control unit
- One-click switching between white light, ICG/NIR and fusion visualization modes
- Integrated LED white light and NIR illumination laser-free technology
- Ergonomic camera head and centralized control designed for focused surgical handling
- Native 4K imaging provide ultra-high-definition visualization



Multifunctional camera head



High transmission light cable



Laser-free LED Illumination



8.4" LCD capacitive touchscreen



CONSENS VP2  
ICG 4K Camera and light source  
including camera head

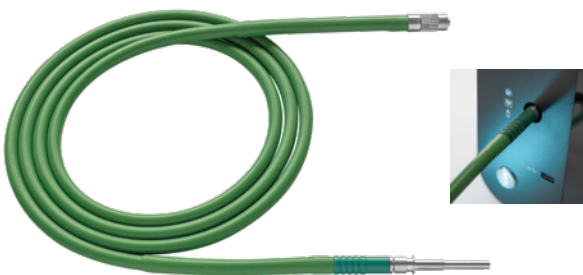
300-700-100



CONSENS ICG 4K Camera Head only  
with fixed 2.8m cable

300-700-110

## ACCESSORIES (for ICG/NIR use)



CONSENS ICG/NIR LED Light Cable  
Ø 4.8mm, 2300mm, with adapter

250-148-230



CONSENS TV-Coupler (compatible ICG/NIR)  
f14 - 32, C-mount

250-015-040

## FLUID MANAGEMENT



## Features:

- Versatile Irrigation Pump
- Pump leveling adjustment
- Pressure controlled roller pump

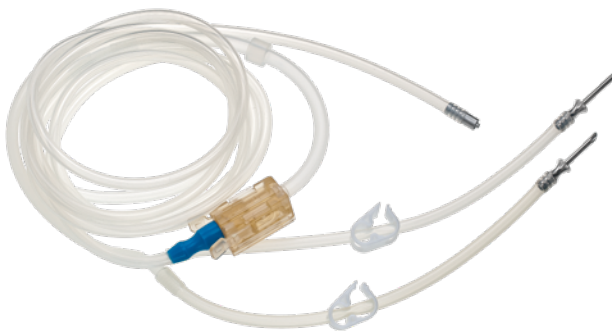
## DELIVERY CONTAINS:

- Pump device
- Tubing set (253-910-001)
- Mains cable
- 2 Spare fuses
- Operating manual

253-910-000 Basic Irrigation Pump P1

## Technical data

Line voltage	100-240 VAC
Power input	80VA
Irrigation power	0 - 1.0L/min
Pressure range	10 - 150mmHG
Measurements	380 x 130 x 400mm (WxHxD)
Weight	approx. 11kg



253-910-001  
Irrigation Tubing Set, silicone, autoclavable, non-sterile (included)

### 4K CAMERA SYSTEM



300-001-840 4K 3-Chip UHD-Camera K 4000

# 4K

#### Features:

- 4K UHD resolution with 3-chip technology
- Image algorithm enhancement of color and structure
- 4K video recording
- 4K image saving
- Camera head with 4 programmable buttons
- Boost function
- Fog reduction
- Freeze function
- 2.5x digital zoom
- 10 USER mode configurations
- Multilingual on screen menu
- SDI 4K Output
- Text generator (optional with keyboard)

#### DELIVERY CONTAINS:

- Main Unit (300-001-840)
- Camera head (300-001-841)
- HDMI cable
- USB Pen Drive
- Mains cable
- Operating manual

#### Technical data

<b>Line voltage</b>	100-240 VAC	<b>Video outputs</b>	1x HDMI 4K 1x HDMI FullHD 1x SDI 4K 1x SDI FullHD
<b>Power consumption</b>	60VA	<b>Dimensions</b>	Control unit: 355 x 103 x 350mm (WxHxD) Weight control unit: 6.2kg Weight camera head: 145g
<b>Image sensor</b>	3 MOS		
<b>Resolution</b>	3840 x 2160 pixels (4K)		
<b>Index ratio</b>	16:9		
<b>N/N ratio</b>	54db		

#### Accessories



300-001-841  
UHD 3-Chip Camera Head  
(included in the set)



300-001-615  
Title generator keyboard, waterproof IP68  
US-Layout, cable 1.8m, color: grey,  
305x140x15mm, 600gr.



300-001-610  
Footswitch for HD Cameras  
cable length: 2m

### FULL HD CAMERA SYSTEM



#### Features:

- Full HD camera with 3-chip MOS technology
- Pure Natural Colors technology
- Full HD video recording
- Full HD image saving
- Camera head with 3 programmable buttons
- Boost function
- Freeze function
- 2.5x digital zoom
- 3 USER mode configurations
- Multilingual on screen menu
- Different digital video outputs
- Text generator (optional with keyboard)

#### DELIVERY CONTAINS:

- Main Unit
- Camera head
- 2x BNC cable
- HDMI - DVI cable
- HDMI cable
- USB Pen Drive
- Mains cable
- Operating manual

300-001-804 3 Chip HD-Camera F4

# FULL HD

#### Technical data

Line voltage	100-240 VAC
Power input	20W
Image sensor	3 MOS
Resolution	1920 x 1080 pixels (FullHD)
Image resolution	>1000 TV lines, horizontal
Index ratio	16:9
Min. sensitivity	< 3lx (1/1.4)
Shutter speed	1/50 (1/60) to 1/100.000sec

<b>Video outputs (F4)</b>	2 x HD SDI 1x HDMI / DVI 2x CVBS 1 x YPbPr / RGB 1 x Y/C (Pal/NTSC) 1x CVBS (Pal/NTSC)
<b>Video outputs (F3)</b>	1 x HDMI / DVI 1 x YPbPr (Component) 1 x Y/C (Pal/NTSC) 1x CVBS (Pal/NTSC)
<b>Dimensions</b>	Control unit: 380 x 120 x 360mm (WxHxD) Weight control unit: 11kg Weight camera head: 145g

#### Accessories



300-001-802  
High-End 3-MOS Camera Head  
FullHD (included in the set)



300-001-615  
Title generator keyboard, waterproof IP68  
US-Layout, cable 1.8m, color: grey,  
305x140x15mm, 600gr.



300-001-610  
Footswitch for HD Cameras  
cable length: 2m

### FULL HD CAMERA SYSTEM



#### Features:

- Full HD camera with 1-chip MOS technology
- Natural color technology
- Full HD video recording
- Full HD image saving
- Camera head with 3 programmable buttons
- Boost function
- Freeze function
- 2.5x digital zoom
- 3 USER mode configurations
- Multilingual on screen menu
- HDMI video outputs
- Text generator (optional with keyboard)

300-001-601 HD-Camera F2 Pro (with recording function)

# FULL HD

#### Technical data

Line voltage	100-240 VAC
Power input	F2 Pro: 30W / F1: 20W
Image sensor	1/3" MOS
Resolution	1920 x 1080 pixels (FullHD)
Image resolution	>1000 TV lines, horizontal
Index ratio	16:9
Min. sensitivity	< 3lx (1/1.4)

#### DELIVERY CONTAINS:

- Main Unit
- Camera head
- 2x BNC cable
- HDMI - DVI cable
- HDMI cable
- S-Video cable
- USB Pen Drive
- Operating manual
- Mains cable

<b>Video outputs (F2 Pro)</b>	2 x HD SDI (optional) 1 x HDMI / DVI 1 x Y-Pb-Pr (Component) 1 x Video (PAL/NTSC) 1 x S-Video (PAL/NTSC)
<b>Video outputs (F1)</b>	1 x HDMI 1 x YPbPr / RGB 1 x S-Video (Y/C; Pal / NTSC) 1 x Video (CVBS; Pal / NTSC)
<b>Dimensions</b>	Control unit: 380 x 120 x 360mm (WxHxD) Weight control unit: 11kg Weight camera head: 105g

#### Accessories



300-001-602  
High-End 1/3" MOS Camera Head  
Full HD (included in the set)



300-001-615  
Title generator keyboard, waterproof IP68  
US-Layout, cable 1.8m, color: grey,  
305x140x15mm, 600gr.



300-001-610  
Footswitch for HD Cameras  
cable length: 2m

## TV COUPLER



**4K**  
**FULL HD**

300-001-823 f=14mm  
 300-001-824 f=25mm  
 300-001-825 f=28mm  
 c-mount, soakable



**4K**  
**FULL HD**

250-015-030  
 Zoom-TV-Adapter  
 f=15 - 30mm  
 c-mount, soakable



**4K**

250-015-040  
 CONSENS TV-Coupler  
 (compatible ICG/NIR)  
 f14 - 32, v-mount



**FULL HD**

300-001-813 f=14mm  
 300-001-814 f=25mm  
 c-mount, soakable



**FULL HD**

250-022-018 f=18mm  
 90°, c-mount, soakable

### LED LIGHT SOURCE



#### Features:

- 6500K daylight color temperature
- 375 Watt equivalent output power
- > 20.000 hours lifetime
- Turret connector for the most common light cables (Olympus, Wolf, Gyrus ACMI, Storz)
- Manual or automatic light control
- Waterproof touch control panel
- Low heat conduction by improved LED technology
- Boost function: light increase of 20%

300-900-300 LUMEN LED 3 PRO Light Source, 110 - 230V



#### Technical data

Line voltage	100-240 VAC
Video input	1x Video, BNC
Protection class	1 (acc. IEC 60601-1) 1 (acc. MDD 93/42/EEC)
Safety class	BF
Standard	IEC 60601-1-2
Dimensions	380 x 120 x 360mm (WxHxD)
Weight	approx. 11kg

#### DELIVERY CONTAINS:

- Main Unit (300-900-300)
- BNC cable (optional)
- Mains cable
- Operating manual



A OLYMPUS

B RICHARD WOLF

C GYRUS ACMI

D STORZ  
KARL STORZ ENDOSKOPE

Turret, multi connector

## LED LIGHT SOURCE



## Features:

- More than 20.000h lamp lifetime
- 180 Watt equivalent power output
- Manual or automatic light control
- Waterproof touch control panel
- Low heat conduction by improved LED technology
- Daylight color temperature 6000 – 6500° K for accurate color representation
- Boost function: light increase of 20%

300-900-180 LUMEN LED 1 Light Source



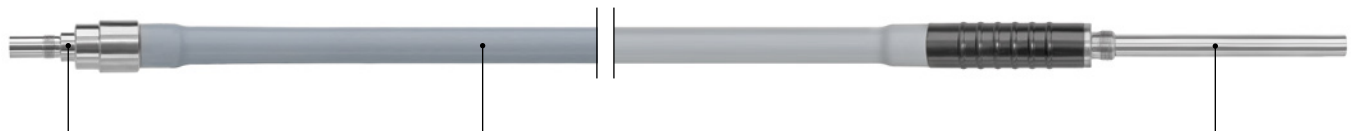
## DELIVERY CONTAINS:

- Main Unit (300-900-180)
- BNC cable
- Mains cable
- Operating manual

## Technical data

Line voltage	100-240 VAC
Power consumption	130VA
Video input	1x Video, 1x S-Video (Y/C) (automatic version only)
Protection class	1 (acc. IEC 60601-1) 1 (acc. MDD 93/42/EEC)
Safety class	BF
Dimensions	380 x 120 x 360mm (WxHxD)
Weight	approx. 11kg

### HIGH TEMPERATURE LED/XENON LIGHT CABLES



Adaptor pieces to use with **endoscope**



250-042-000  
RZ/Storz/Olympus



250-040-000  
Wolf



250-041-000  
ACMI/British Standard

XENON/LED Light Guide Cables  
with melt and bending protection

250-025-230    Ø 2.5 mm, 2300 mm

250-025-300    Ø 2.5 mm, 3000 mm

250-035-180    Ø 3.5 mm, 1800 mm

250-035-230    Ø 3.5 mm, 2300 mm

250-035-300    Ø 3.5 mm, 3000 mm

250-048-180    Ø 4.8 mm, 1800 mm

250-048-230    Ø 4.8 mm, 2300 mm

250-048-300    Ø 4.8 mm, 3000 mm

Adaptor pieces to use with **light source**



250-039-000  
RZ/Storz



250-038-000  
ACMI/CUDA



250-048-000  
Luxtec



250-051-000  
Stryker



250-037-000  
Wolf



250-044-000  
Olympus



250-045-000  
Olympus - Standard



250-052-000  
Heine



250-059-000  
Pentax



**COMPATIBILITY NOTE:**

A fiber optic cable with a large diameter should not be connected to a smaller diameter scope.  
For example: Ø 4.8mm fiber optic cables connected to a Ø 2.9mm may risk high temperature at the light entry of the endoscope and may risk patient safety.

### ELECTROSURGICAL GENERATOR



#### Features:

- Monopolar/bipolar cutting and coagulation
- Automatic identification of connected instruments
- Powerstart System simplifies the beginning of cutting process
- Automatic power regulation
- 105 different memory locations in 7 groups
- Various output configuration of the sockets available
- 10" Touchscreen
- Tiltable display
- Footswitch (optional)
- Available with Argon and / or the RZeal
- Real-time output monitoring

#### DELIVERY CONTAINS:

- Main Unit
- Mains Cable (Footswitch not included)

700-350-400 Electrosurgical Generator G400, 230V

700-350-410 Electrosurgical Generator G400, 110V

#### Technical data

Line voltage	230 V +/- 10% 50 Hz or 110 V +/- 10% 60 Hz
Power consumption	1350VA
Generator operation frequency	333kHz
Display	TFT 10"
Defibrillation impulse resistance	acc. to EN 60601-1
NEM system	neutral electrode control optical indication 7 levels required resistance < 240 Ω
Gas type	pure argon 4.8 (99,998%) or higher
Inlet gas pressure	0.25-0.4 [MPa]
Monopolar coagulation / cutting	200W / 400W
Bipolar coagulation / cutting	400W / 400W

Gas outflow	0.1-10 l/min, regulated 0.1 l/min in whole range
Pressure range	reducer (0.4 MPa) on argon cylinder
Vessel sealing system	9 effects/300W
AutoStop	automatic stop of sealing process after achieving the optimal effect
Dimensions	495 x 415 x 225mm (LxWxH)
Weight	12.2kg

#### Accessories



700-350-405  
2-Button-Footswitch, length: 5m

700-350-402  
3-Button-Footswitch, length: 5m, quick access key



Disposable Neutral Electrode  
hydrogel, split, for adults or children  
10x5 pcs. per package  
700-503-000 Adults  
700-503-001 Children



Cable for Disposable Neutral Electrode  
5m, RZ compatible only  
700-503-003

### ELECTROSURGICAL GENERATOR



**Features:**

- Monopolar/bipolar cutting and coagulation
- Automatic instrument detection system
- Intuitive Touchscreen
- Automatic power regulation
- Configurable working modes
- Real-time parameter control
- Special endoscopic modes
- Bipolar resection
- Easy software update

700-340-400 Electrosurgical Generator G44, 230V

700-340-410 Electrosurgical Generator G44, 110V

**DELIVERY CONTAINS:**

- Main Unit
- Mains Cable
- (Footswitch not included)

**Technical data**

<b>Line voltage</b>	230 V +/- 10% 50 Hz or 110 V +/- 10% 60 Hz
<b>Power consumption</b>	1350VA
<b>Generator operation frequency</b>	333kHz
<b>Display</b>	TFT 7" WVGA
<b>Spectrum result system</b>	automatic power regulation
<b>Monopolar coagulation</b>	max. 200W (200Ω)
<b>Monopolar cutting</b>	max. 400W (100Ω)
<b>Bipolar coagulation</b>	max. 400W (25Ω)
<b>Bipolar cutting</b>	max. 330W (150Ω)

<b>NEM system</b>	neutral electrode control, optical indication, required resistance < 240 Ω
<b>Dimensions</b>	385 x 305 x 141mm (LxWxH)
<b>Weight</b>	7kg

**Accessories**



700-350-405  
2-Button-Footswitch, length: 5m

700-350-402  
3-Button-Footswitch, length: 5m, quick access key



Disposable Neutral Electrode  
hydrogel, split, for adults or children  
10x5 pcs. per package  
700-503-000 Adults  
700-503-001 Children



Cable for Disposable Neutral Electrode  
5m, RZ compatible only  
700-503-003

### LITHOTRIPTER



#### Features:

- Pure mechanical energy transmission
- The smallest probe diameter of 0.6mm
- Auxiliary instruments can also be inserted
- Very simple handling and cleaning
- Compatible to other RZ and other instruments for the therapy of ureteric, renal and bladder stones
- Non-conductive hand piece to ensure safety for patients as well as users

253-750-100 L100 Lithotripter



#### DELIVERY CONTAINS:

- Main Unit (253-750-100)
- Operating manual ■ Mains cable

#### Technical data

Line voltage	115-230 VAC	Dimensions	254 x 113 x 305mm (WxHxD)
Pneumatic power source	3.5 – 6.5 bar, compressed medical air	Weight	6.5kg
Pulse rate control (ppm)	50 – 600 ppm 10 ppm increments between 50 - 100 ppm 50 ppm increments between 100 - 600 ppm		

#### Accessories



Litho Probe, 605mm working length

253-850-006	0.6mm	253-850-016	1.6mm
253-850-008	0.8mm	253-850-020	2.0mm, 450mm length
253-850-010	1.0mm	253-850-025	2.5mm, 450mm length

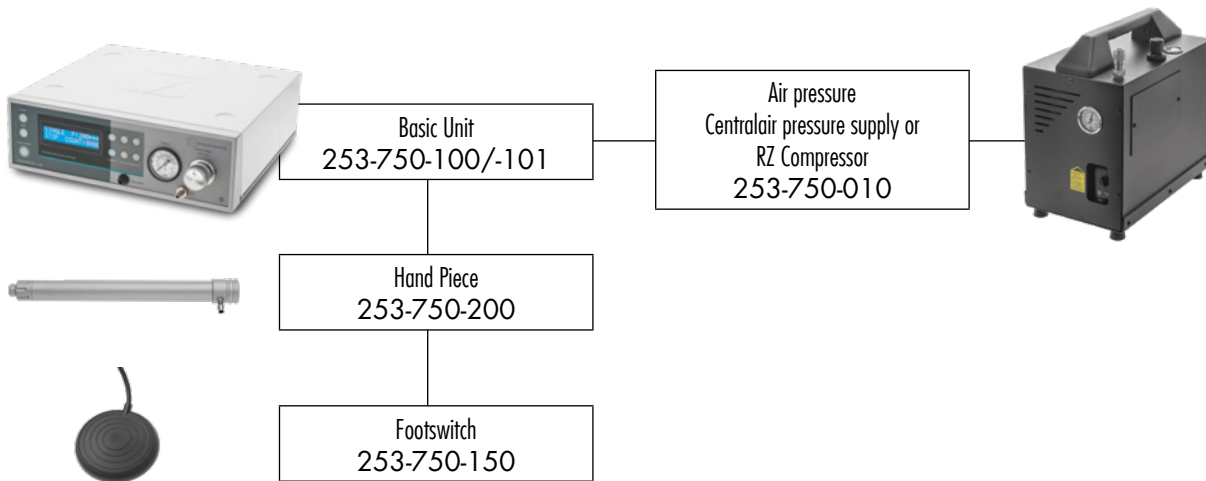


253-750-150  
Footswitch



253-750-200  
Hand piece, anodised

## L100 Lithotripter Modular System Chart



Handpiece + RZ Probes	Telescope + Sheaths	Auxillary Instruments
-----------------------	---------------------	-----------------------

### URETEROSCOPY

	<p>253-750-200</p>	<p>253-905-540</p>	<p>253-954-005</p>
	<p>253-850-006 /-008/-010/-012</p>		

### CYSTOSCOPY

	<p>253-750-200</p>	<p>253-900-101</p>	<p>253-900-210</p>
	<p>253-850-020/-025</p>	<p>253-900-111 253-900-116</p>	

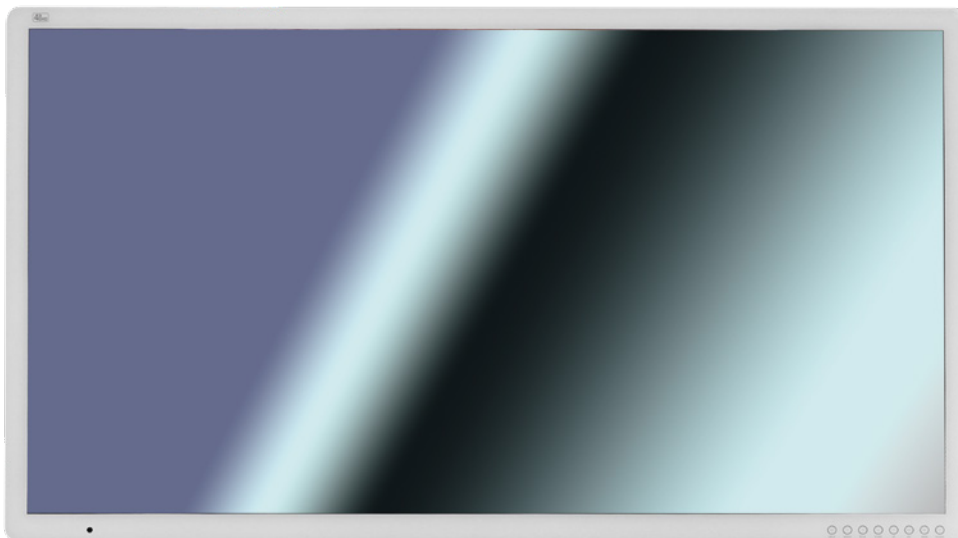
### PERCUTANEOUS NEPHROSCOPY

	<p>253-750-200</p>	<p>253-900-100</p>	<p>253-900-205</p>
	<p>253-850-020/-025</p>	<p>253-900-110 253-900-115</p>	



300-001-031  
UHD 4K Monitor, 31"

**4K**



300-001-055  
UHD 4K Monitor, 55"

#### Technical data

Screen size	31" diagonal
Resolution	4096 x 2160
Aspect ratio	17:9
Viewing angle	178°
Number of colors	1.08 Billion (10-bit)
Video Inputs	1 x HDMI 2.0 1 x DP 1.2 (SST) & 1 x DP 1.2 (MST) 1 x DVI (single link), 4 x SDI (3G)
Video Outputs	1 x DP 1.2 (SST) 1 x DVI (single link), 4 x SDI (3G)
Weight	10.5kg

#### Technical data

Screen size	55" diagonal
Resolution	3840 x 2160
Aspect ratio	16:9
Viewing angle	178°
Numbers of colors	1.08 Billion (10-bit)
Video Inputs	1 x HDMI 2.0, 2 x DP 1.2 (55T) 1 x DVI (single link), 2 x DVI (dual link) 4 x S0i (3G), 2 x S0i (12G)
Video Outputs	1 x DVI (single link), 1 x DP 1.2 (SST) 4 x SDI (3G), 2x SDI (12G)
Weight	37.35kg



300-001-168  
32" HD Monitor

300-001-158  
27" HD Monitor

### Technical data

Screen size	32" / 27" diagonal TFT LCD
Resolution	1920 x 1080
Aspect ratio	16:9
Viewing angle	178°
Numbers of colors	16.7 Million (8-bit)
Video Inputs	2x HDMI, 1x DP, 2x SDI
Video Outputs	1x HDMI, 2x SDI
Weight	11.5kg / 8.5kg

**FULL HD**



300-001-028  
Monitor Table Stand

### Technical data

Column height	305mm, 12"
Oriantations	Landscape or page mode
Adjustments	+/- 20°
Max. load	31" / 13.6kg / 30lbs

All monitors will be delivered without table stand - need to be ordered separately.

## CONSENS Cart - EQUIPMENT TROLLEYS

### Features:

- Front handle
- Camera holder (ocular)
- 4 antistatic wheels with brake
- Drawer
- 8-outlet power strip
- Adjustable heights



300-002-910  
CONSENS Cart Basic



300-002-912  
CONSENS Cart Essential  
shelf with monitor holder



300-002-916  
CONSENS Cart Advanced  
shelf with monitor holder,  
pivoted second monitor holder,  
wheel wall deflectors



250-015-030	136	253-000-219	25	253-000-545	8, 53
250-015-040	131, 136	253-000-220	25	253-000-547	53
250-022-018	136	253-000-222	25	253-000-555	52, 66
250-025-230	139	253-000-225	25	253-000-666	48, 65
250-025-300	139	253-000-250	48	253-000-676	48
250-035-180	139	253-000-251	48, 65	253-000-677	48
250-035-230	139	253-000-256	5, 7, 12, 41, 62, 63, 64, 68, 71, 80, 81	253-000-678	48
250-037-000	139	253-000-258	80, 81	253-000-724	41
250-038-000	139	253-000-266	41, 63	253-000-850	115
250-039-000	139	253-000-300	62, 63	253-000-900	115
250-040-000	139	253-000-301	10, 11, 63, 64, 69	253-000-901	115
250-041-000	139	253-000-302	12, 63, 64, 69	253-000-950	2, 5, 13, 115
250-042-000	139	253-000-305	62, 64	253-000-951	115
250-044-000	139	253-000-312	12, 62, 63	253-000-975	115
250-045-000	139	253-000-316	62, 66	253-000-976	115
250-048-000	139	253-000-318	11, 62, 67	253-200-007	102
250-048-180	139	253-000-319	10, 62, 66	253-200-009	102
250-048-230	139	253-000-320	64	253-200-011	103
250-048-300	139	253-000-321	64	253-200-075	3, 103
250-051-000	139	253-000-322	64	253-200-095	3, 103
250-052-000	139	253-000-323	64	253-200-100	108
250-059-000	139	253-000-330	64	253-200-128	109
250-148-230	131	253-000-331	64	253-200-210	4, 109
253-000-044	42	253-000-332	64	253-200-228	109
253-000-054	42	253-000-333	64	253-200-328	109
253-000-082	66	253-000-350	65	253-200-428	109
253-000-084	5, 42	253-000-352	8, 10, 52, 62, 66	253-200-500	108
253-000-094	7, 42	253-000-356	41, 68, 80, 81	253-200-600	4, 108
253-000-100	26	253-000-358	80, 81	253-202-003	3, 102, 104
253-000-101	26	253-000-362	52, 66	253-203-128	4, 109
253-000-102	2, 26	253-000-363	66	253-203-228	109
253-000-105	2, 26	253-000-366	41	253-203-328	4, 109
253-000-106	26	253-000-400	7, 40	253-203-428	4, 109
253-000-107	26	253-000-401	40	253-204-003	3, 102, 104
253-000-108	26	253-000-410	8, 52	253-204-128	109
253-000-117	25	253-000-411	52	253-204-228	109
253-000-119	25	253-000-501	53	253-204-328	109
253-000-120	25	253-000-502	53	253-204-428	109
253-000-122	25	253-000-503	53	253-219-100	6, 14, 103, 106, 107
253-000-125	25	253-000-505	53	253-219-130	3, 103, 106, 107
253-000-200	5, 13, 39, 73	253-000-507	53	253-220-011	104
253-000-201	39	253-000-524	41	253-220-014	104
253-000-210	51	253-000-541	8, 53	253-220-025	104
253-000-211	51	253-000-542	53	253-220-030	104
253-000-217	25	253-000-543	8, 53	253-221-000	102

253-221-030	102	253-300-251	49	253-334-335	118
253-227-000	104	253-300-252	49	253-335-225	119
253-227-030	104	253-300-253	49	253-335-335	118
253-227-070	104	253-300-255	49	253-336-225	119
253-250-200	6, 14, 106, 107	253-300-256	49	253-336-335	118
253-250-211	6, 106	253-300-258	49	253-337-225	119
253-250-213	106	253-300-259	49	253-337-335	118
253-251-111	6, 106	253-300-999	5, 7, 8, 9, 13, 47, 74	253-340-335	118
253-251-112	6, 106			253-341-335	118
253-251-113	6, 106	253-310-014	105	253-342-335	118
253-251-114	106	253-310-015	105	253-343-335	118
253-251-115	6, 106	253-310-100	105	253-344-335	118
253-252-111	106	253-310-101	105	253-345-335	118
253-252-112	106	253-310-107	105	253-346-335	118
253-252-113	106	253-310-390	117	253-347-335	118
253-252-114	106	253-310-392	117	253-348-335	118
253-252-115	106	253-315-000	25	253-349-335	118
253-255-001	14, 107	253-320-225	119	253-350-335	118
253-265-010	14, 107	253-320-335	118	253-351-335	118
253-265-101	14, 107	253-321-225	119	253-352-335	118
253-265-102	14, 107	253-321-335	118	253-353-335	118
253-265-103	107	253-322-225	119	253-354-335	118
253-265-104	14, 107	253-322-335	118	253-355-335	118
253-300-017	2, 24	253-323-225	119	253-356-335	118
253-300-019	24	253-323-335	118	253-357-335	118
253-300-020	24	253-324-225	119	253-370-003	30, 109
253-300-022	2, 24	253-324-335	118	253-370-004	109
253-300-025	19, 24, 80	253-325-225	119	253-370-005	2, 30, 109
253-300-201	5, 43, 45	253-325-335	118	253-370-007	2, 30
253-300-202	43	253-326-225	119	253-370-009	119
253-300-203	5, 43, 45	253-326-335	118	253-370-010	30
253-300-204	43	253-327-225	119	253-370-021	119
253-300-205	5, 43, 45	253-327-335	118	253-370-103	30
253-300-206	5, 43, 45	253-328-225	119	253-370-253	3, 4, 102, 104
253-300-207	43	253-328-335	118	253-371-003	30, 109
253-300-208	43	253-329-225	119	253-371-005	30, 109
253-300-209	44	253-329-335	118	253-371-007	30
253-300-210	44	253-330-225	119	253-371-253	3, 4, 102, 104
253-300-211	44	253-330-335	118	253-372-005	30
253-300-212	44	253-331-225	119	253-372-007	30
253-300-213	44	253-331-335	118	253-375-010	119
253-300-214	44	253-332-225	119	253-375-015	119
253-300-215	44	253-332-335	118	253-400-200	46
253-300-218	44	253-333-225	119	253-400-201	7, 46
253-300-219	44	253-333-335	118	253-400-202	46
253-300-222	43	253-334-225	119	253-400-203	7, 46

253-400-204	46	253-500-230	13, 73	253-755-500	79
253-400-205	7, 46	253-500-315	75	253-760-000	19, 80
253-400-206	46	253-500-321	13, 73	253-780-000	81
253-400-211	46	253-500-325	13, 73	253-800-000	112
253-400-222	46	253-500-421	73	253-800-900	113
253-400-501	58	253-500-500	75	253-804-000	13, 19, 23, 38,
253-400-502	58	253-500-561	13, 74		62, 73, 78
253-400-503	58	253-500-562	74	253-804-012	23, 38, 62, 63,
253-400-504	58	253-500-563	13, 74		64, 70, 71
253-400-505	58	253-500-564	13, 74	253-804-030	2, 5, 7, 12, 19,
253-400-506	58	253-500-581	75		23, 38, 62, 63, 64, 70, 71, 79, 80, 81
253-400-508	58	253-500-582	75	253-804-070	23, 79
253-400-601	57, 110	253-580-007	30	253-804-400	22
253-400-602	57, 110	253-581-007	30	253-804-412	22
253-400-606	57, 110	253-581-045	29	253-804-430	22
253-400-701	47	253-582-045	29	253-804-470	22
253-400-702	47	253-582-055	29	253-804-530	48, 65
253-400-703	47	253-582-065	29	253-829-000	50, 54, 62, 75,
253-400-704	47	253-585-005	2, 15, 29, 100		105
253-420-100	2, 28	253-610-001	31, 57, 110	253-829-012	50, 54, 62, 66, 67
253-421-100	28	253-610-002	31, 57, 110	253-829-030	8, 9, 10, 11, 50,
253-422-100	28	253-610-003	2, 3, 5, 6, 31, 57,		54, 62, 66, 67, 105
253-423-100	28		110	253-850-006	20, 142, 143
253-425-100	28	253-610-004	31, 57, 110	253-850-008	20, 142
253-426-100	28	253-650-010	118	253-850-010	20, 142
253-427-100	28	253-650-012	118	253-850-012	20
253-428-100	12, 68	253-650-014	118	253-850-016	20, 142
253-428-500	41	253-650-016	118	253-850-020	20, 142, 143
253-429-100	28	253-650-018	118	253-850-025	142
253-430-100	80	253-650-020	118	253-870-023	70
253-431-100	28	253-650-022	118	253-872-000	70
253-500-000	2, 5, 19, 115	253-650-024	118	253-873-000	70
253-500-001	115	253-650-026	118	253-874-000	63, 71
253-500-003	115	253-650-028	118	253-900-000	86
253-500-004	115	253-650-030	118	253-900-010	83, 100
253-500-010	115	253-650-032	118	253-900-100	87, 88, 143
253-500-020	115	253-650-034	118	253-900-101	87, 88, 143
253-500-100	13, 76	253-650-036	118	253-900-105	87, 88
253-500-101	76	253-750-010	143	253-900-110	87, 143
253-500-102	76	253-750-100	20, 142, 143	253-900-111	87, 143
253-500-103	76	253-750-150	20, 142, 143	253-900-115	87, 143
253-500-108	76	253-750-200	20, 142, 143	253-900-116	87, 143
253-500-115	75	253-755-010	19, 78	253-900-120	88
253-500-125	75	253-755-020	19, 78	253-900-121	12, 18, 62, 68, 88
253-500-221	13, 73	253-755-030	19, 78	253-900-130	18, 88
253-500-229	73	253-755-040	78	253-900-131	88

253-900-135	18, 88	253-900-920	12	253-952-504	97
253-900-136	88	253-900-921	9	253-952-505	97
253-900-140	16, 83	253-900-922	14	253-953-003	97
253-900-141	16, 84	253-900-923	17	253-953-004	97
253-900-142	16, 84	253-900-924	18	253-953-005	97
253-900-143	16, 84	253-900-925	19	253-953-503	97
253-900-145	16, 84	253-900-926	20	253-953-504	97
253-900-146	16, 84	253-901-220	11, 62, 69	253-953-505	97
253-900-147	16, 84	253-901-232	66	253-954-003	97
253-900-148	16, 84	253-901-282	67	253-954-004	97
253-900-150	87	253-904-220	10, 11, 69	253-954-005	15, 97, 143
253-900-151	87	253-905-000	100, 123	253-954-455	85
253-900-155	18, 89	253-905-220	10, 11, 62, 69	253-954-503	97
253-900-156	18, 89	253-905-400	83, 100	253-954-504	97
253-900-157	18, 89	253-905-530	93	253-954-505	97
253-900-160	88	253-905-540	15, 93, 143	253-955-003	97
253-900-161	88	253-910-000	132	253-955-004	97
253-900-171	84	253-910-001	132	253-955-005	97
253-900-173	84	253-910-530	93	253-955-503	97
253-900-175	84	253-910-540	93	253-955-504	97
253-900-201	18, 89	253-915-530	93	253-955-505	97
253-900-202	18, 89	253-915-540	93	253-956-003	97
253-900-205	90, 143	253-920-090	119	253-956-004	97
253-900-206	90	253-920-105	119	253-956-005	15, 97
253-900-210	90, 143	253-920-120	119	253-956-455	16, 17, 85
253-900-211	90	253-920-135	119	253-956-503	97
253-900-212	90	253-920-150	119	253-956-504	97
253-900-213	90	253-940-005	29, 100	253-956-505	97
253-900-245	90	253-950-003	96	253-957-003	97
253-900-246	90	253-950-004	96	253-957-004	97
253-900-250	18, 90	253-950-005	15, 96	253-957-005	97
253-900-251	90	253-950-455	16, 17, 85	253-957-105	27
253-900-252	18, 90	253-950-503	96	253-957-503	97
253-900-253	90	253-950-504	96	253-957-504	97
253-900-815	86	253-950-505	96	253-957-505	97
253-900-830	17, 86	253-951-003	96	253-958-003	98
253-900-888	17, 86	253-951-004	96	253-958-004	98
253-900-900	2	253-951-005	96	253-958-005	98
253-900-901	5	253-951-503	96	253-958-105	27
253-900-902	13	253-951-504	96	253-958-455	85
253-900-903	15	253-951-505	96	253-958-503	98
253-900-905	6	253-952-003	97	253-958-504	98
253-900-909	16	253-952-004	97	253-958-505	98
253-900-911	7	253-952-005	15, 97	253-959-003	98
253-900-918	3	253-952-455	16, 17, 85	253-959-004	98
253-900-919	4	253-952-503	97	253-959-503	98

253-959-504	98	301-701-060	92, 116	351-100-550	96
253-960-025	100	301-701-100	32, 116	351-107-107	27
253-960-360	85	320-603-455	117	351-107-109	27
253-961-102	32	320-720-080	117	351-114-105	27
253-961-103	32	320-720-100	117	351-114-107	2, 27
253-962-003	100	320-720-120	117	351-114-109	27
253-990-800	32	320-720-140	117	351-120-105	27, 74
300-001-028	145	320-720-160	117	351-120-107	2, 27
300-001-031	144	320-720-180	117	351-120-109	27
300-001-055	144	320-720-200	117	351-124-107	27
300-001-158	145	320-720-220	117	351-400-200	9, 55
300-001-168	145	320-720-240	117	351-400-201	55
300-001-601	135	320-721-080	117	351-905-105	116
300-001-602	135	320-721-100	117	600-050-000	128
300-001-610	133, 134, 135	320-721-120	117	600-100-000	128
300-001-615	133, 134, 135	320-721-140	117	600-255-500	127
300-001-802	134	320-721-160	117	600-255-530	127
300-001-804	134	320-721-180	117	600-255-535	127
300-001-813	136	320-721-200	117	600-255-550	127
300-001-814	136	320-721-220	117	600-255-555	127
300-001-823	136	320-721-240	117	600-255-570	127
300-001-824	136	320-723-080	117	600-255-575	127
300-001-825	136	320-723-100	117	600-255-600	127
300-001-840	133	320-723-120	117	600-255-605	127
300-001-841	133	320-723-140	117	600-281-001	127
300-002-910	146	320-723-160	117	600-281-002	126
300-002-912	146	320-723-180	117	600-281-003	125
300-002-916	146	320-723-200	117	600-281-004	125
300-011-178	116	320-723-220	117	600-292-052	123
300-011-179	116	320-723-240	117	600-405-500	126
300-011-181	116	320-998-000	119	600-405-530	126
300-011-184	10, 11, 12, 63, 64, 69, 116	320-999-000	119	600-405-535	126
300-011-506	116	351-000-155	55	600-405-550	126
300-011-515	116	351-000-180	9, 55	600-405-555	126
300-135-905	128	351-000-185	9, 11, 55, 62, 67	600-405-570	126
300-135-910	128	351-000-186	55	600-405-575	126
300-215-000	32, 128	351-000-195	55, 67	600-405-600	126
300-400-900	116	351-000-201	9, 56	600-405-605	126
300-400-901	116	351-000-202	56	600-450-070	123
300-420-065	128	351-000-203	9, 56	600-460-055	123
300-700-100	131	351-000-205	9, 56	600-460-056	123
300-700-110	131	351-000-206	56	600-462-052	123
300-900-180	138	351-100-105	2, 27	600-464-229	122
300-900-300	137	351-100-107	27	600-485-500	125
301-701-030	92, 116	351-100-109	27	600-485-530	125
		351-100-500	98	600-485-535	125

600-485-550	125
600-485-555	125
600-485-570	125
600-485-575	125
600-485-600	125
600-485-605	125
600-501-000	121
600-501-002	121
600-505-000	121
600-505-002	121
600-506-002	121
600-508-000	122
600-511-000	122
600-540-500	125
600-540-530	125
600-540-535	125
600-540-550	125
600-540-555	125
600-540-570	125
600-540-575	125
600-540-600	125
600-540-605	125
600-600-191	100
600-605-220	124
600-605-411	124
600-662-077	100, 123
600-662-540	100
600-950-100	128
660-166-100	128
700-340-400	141
700-340-410	141
700-350-400	140
700-350-402	140, 141
700-350-405	140, 141
700-350-410	140
700-500-453	7, 8, 9, 57, 110
700-501-453	31, 57, 110
700-503-000	140, 141
700-503-001	140, 141
700-503-003	140, 141
700-900-110	128
700-900-120	128

